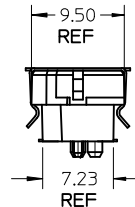
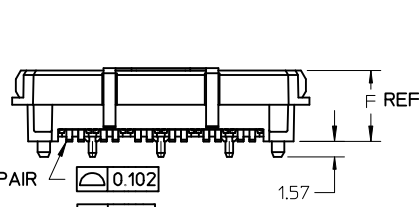


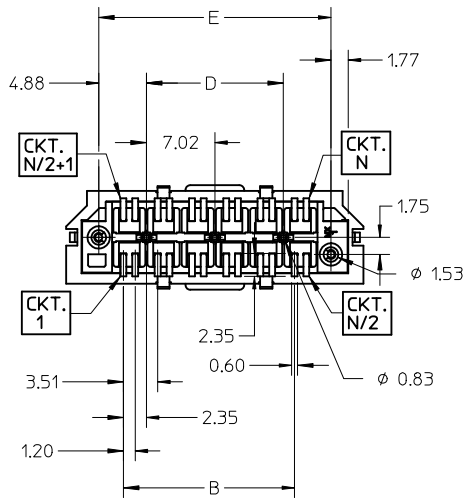
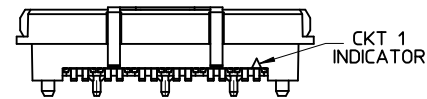
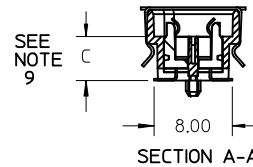
NOTES:

- 1) MATERIALS:
 HOUSING - LIQUID CRYSTAL POLYMER, UL94 V-0, NATURAL
 CHICKLET - LIQUID CRYSTAL POLYMER, UL94 V-0, BLACK
 CONTACT - TIN BRASS
- 2) CONTACT PLATING FINISH:
 0.76 MICRON MIN. SELECT GOLD AND
 3.81 MICRON MIN. SELECT PURE TIN OVER
 1.27 MICRON MIN. NICKEL OVERALL
- 3) HOUSING PLATING FINISH:
 0.10 MICRON MAX. IMMERSION GOLD OVER
 3.81 MICRON MIN. NICKEL OVER
 3.81 MICRON MIN. COPPER OVERALL
- 4) 4.5mm 12 PAIR PLUG ASSEMBLY SHOWN.
- 5) PART CONFORMS TO MOLEX COSMETIC SPECIFICATION PS-75005-002.
- 6) PART PERFORMS TO MOLEX PRODUCT SPECIFICATION PS-75005-001.
- 7) PACKAGE PER PK-75003-002.
- 8) FOR AUTO-PLACEMENT APPLICATIONS: PCB ORIENTATION HOLE TO BE $\phi 1.65 \pm 0.05$
 FOR HAND PLACEMENT APPLICATIONS: PCB ORIENTATION HOLE TO BE $\phi 1.45 \pm 0.05$
- 9) THIS DIMENSION CONTROLS THE STACK HEIGHT OF THE MATED CONNECTORS.
- 10) PLEASE REFER TO MOLEX APPLICATION SPECIFICATION AS-75005-001 FOR SUITABLE PROCESSING TEMPERATURES, PERMISSABLE OFFSETS, AND MATING SEQUENCES.
- 11) THESE PLATED THRU HOLES SHOULD BE CONNECTED TO SIGNAL GROUND.
- 12) THIS PART MATES WITH THE 75005 RECEPTACLE.
- 13) THIS PART IS RECOMMENDED TO BE PLACED ON THE MEZZANINE CARD.
- 14) HOUSING IS CONDUCTIVE, UNINSULATED TRACES MUST BE KEPT OUT OF KEEP-OUT ZONE.
- 15) EACH SIDE IS MEASURED TO A COMMON DATUM WITH-IN A COPLANARITY OF 0.102mm FOR 6 AND 12 PAIR, 0.114mm FOR 24 PAIR AND 0.127mm FOR 36 PAIR, THE SIDES MAY VARY TO EACH OTHER BY 0.05mm MAX.

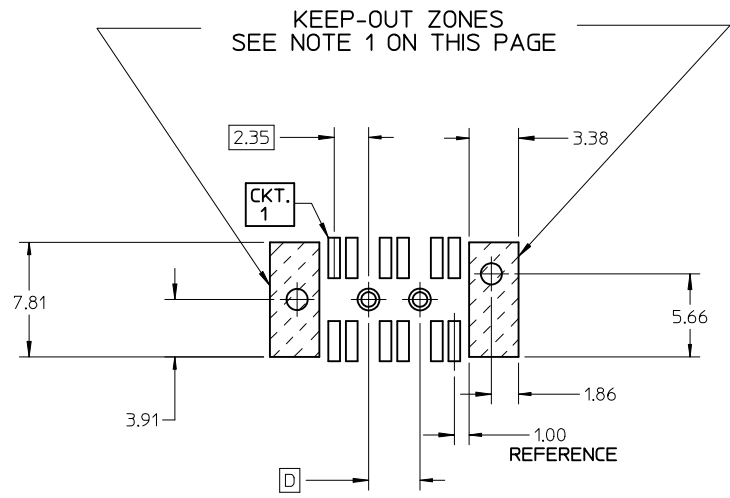


- FOR 6 AND 12 PAIR $\sqrt{0.102}$
- FOR 24 PAIR $\sqrt{0.114}$
- FOR 36 PAIR $\sqrt{0.127}$

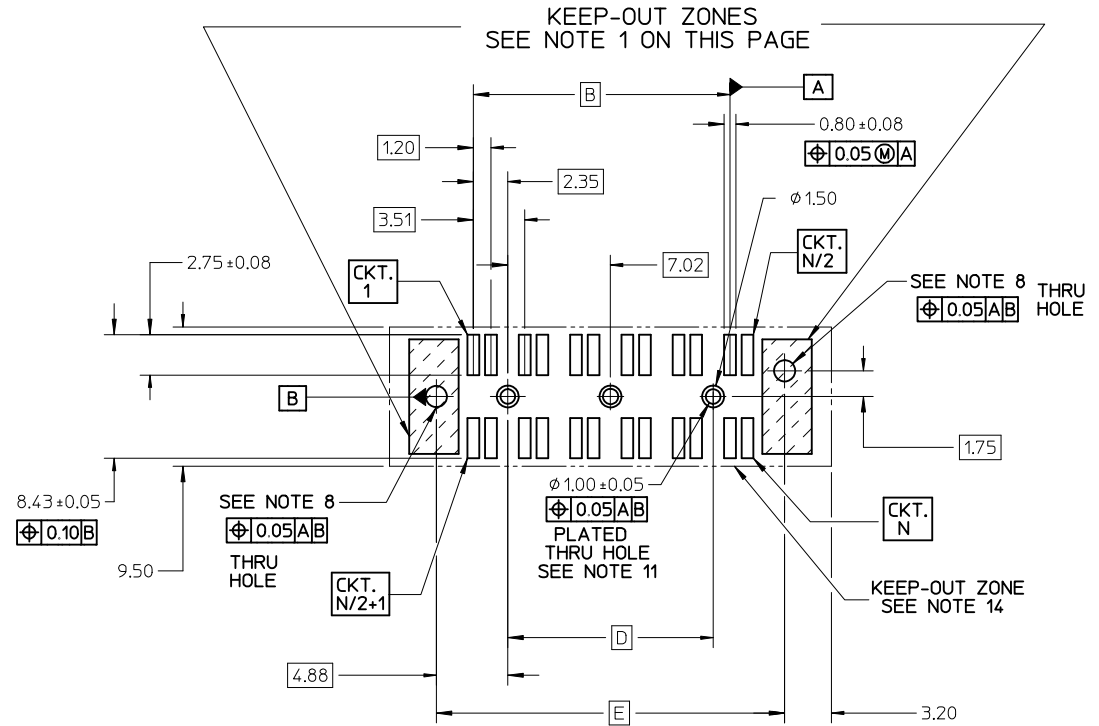
N SURFACES
 N = # OF CIRCUITS
 (SEE NOTE 15)



ADD PKG DETAILS EC NO: UCP2010-1785 DRW:MSI/BARRA 2010/01/22 CHKD:SDANNELLEY 2011/10/25 APPR:SMILLER 2010/01/28	QUALITY SYMBOLS $\nabla F=0$ $\nabla E=0$ $\nabla F=0$	GENERAL TOLERANCES (UNLESS SPECIFIED)		DIMENSION STYLE MM ONLY		SCALE 2:1	DESIGN UNITS METRIC	THIRD ANGLE PROJECTION																	
		<table border="1"> <tr> <th></th> <th>mm</th> <th>INCH</th> </tr> <tr> <td>4 PLACES</td> <td>\pm---</td> <td>\pm---</td> </tr> <tr> <td>3 PLACES</td> <td>\pm---</td> <td>\pm---</td> </tr> <tr> <td>2 PLACES</td> <td>\pm0.13</td> <td>\pm---</td> </tr> <tr> <td>1 PLACE</td> <td>\pm0.25</td> <td>\pm---</td> </tr> </table>			mm	INCH	4 PLACES	\pm ---	\pm ---	3 PLACES	\pm ---	\pm ---	2 PLACES	\pm 0.13	\pm ---	1 PLACE	\pm 0.25	\pm ---	DRAWN BY DATE KSTILES 2001/10/24 CHECKED BY DATE KREGNIER 2001/10/25 APPROVED BY DATE SMILLER 2010/01/28		TITLE SALES DRAWING FOR HIGH SPEED MEZZANINE PLUG		MOLEX MOLEX INCORPORATED		SHEET NO. 1 OF 8
			mm	INCH																					
		4 PLACES	\pm ---	\pm ---																					
3 PLACES	\pm ---	\pm ---																							
2 PLACES	\pm 0.13	\pm ---																							
1 PLACE	\pm 0.25	\pm ---																							
DRAFT WHERE APPLICABLE MUST REMAIN WITHIN DIMENSIONS		SEE TABLE		DOCUMENT NO. SD-75003-001																					
		SIZE B		THIS DRAWING CONTAINS INFORMATION THAT IS PROPRIETARY TO MOLEX INCORPORATED AND SHOULD NOT BE USED WITHOUT WRITTEN PERMISSION																					



COMPONENT SIDE SHOWN
 RECOMMENDED PCB THICKNESS: 1.57mm
 FOR 12 CIRCUIT OPTION.
 FOR DIMENSIONS NOT SHOWN REFER TO
 THE 24-72 CIRCUIT PCB LAYOUT.



COMPONENT SIDE SHOWN
 RECOMMENDED PCB THICKNESS: 1.57mm
 FOR CIRCUIT SIZES FROM 24-72 CIRCUITS.

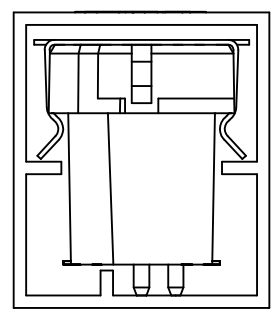
UNLESS OTHERWISE SPECIFIED, DIMENSIONS ARE COMMON TO BOTH VIEWS

NOTE:
 1. NO FEATURES (INCLUDING SOLDER PASTE) WHICH RISE ABOVE THE PCB SURFACE ALLOWED IN THIS AREA.

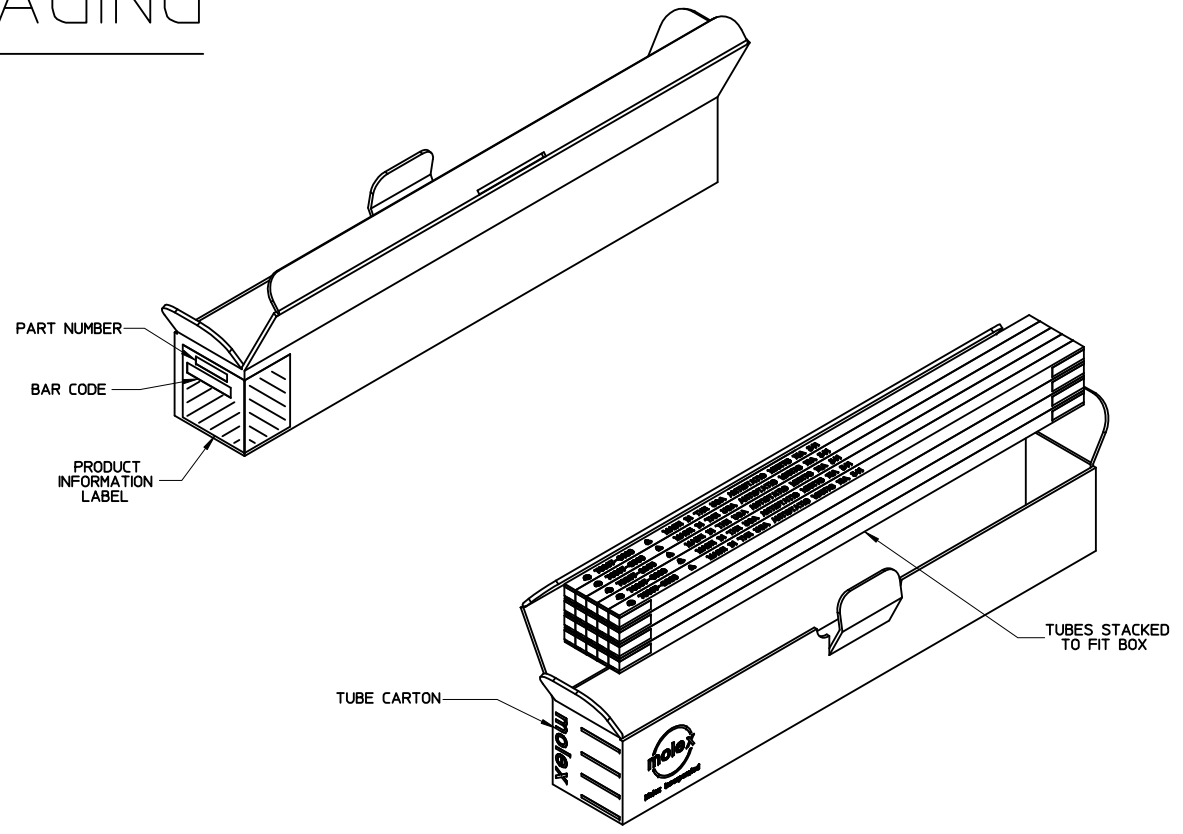
SEE SHEET 1 EC NO: UCP2010-1785 DRWNS: IBARRA 2010/01/22 CHKD: SDANNELLEY 2001/10/25 APPR: SMILLER 2010/01/28	DESCRIPTION REV	QUALITY SYMBOLS	GENERAL TOLERANCES (UNLESS SPECIFIED)	DIMENSION STYLE	SCALE	DESIGN UNITS	THIRD ANGLE PROJECTION	
		$\nabla F/0$ $\nabla E/0$ $\nabla F/0$	mm INCH 4 PLACES ± --- ± --- 3 PLACES ± --- ± --- 2 PLACES ± 0.13 ± --- 1 PLACE ± 0.25 ± --- ANGULAR ± 1/2°	MM ONLY	3:1	METRIC	DRAWN BY DATE KSTILES 2001/10/24 CHECKED BY DATE KREGNIER 2001/10/25 APPROVED BY DATE SMILLER 2010/01/28	TITLE
		DRAFT WHERE APPLICABLE MUST REMAIN WITHIN DIMENSIONS	SEE TABLE	SALES DRAWING FOR HIGH SPEED MEZZANINE PLUG MOLEX INCORPORATED				
		MATERIAL NO. SIZE B	THIS DRAWING CONTAINS INFORMATION THAT IS PROPRIETARY TO MOLEX INCORPORATED AND SHOULD NOT BE USED WITHOUT WRITTEN PERMISSION	DOCUMENT NO. SD-75003-001	SHEET NO. 2 OF 8			

10 9 8 7 6 5 4 3 2 1

TUBE PACKAGING



ORIENTATION OF PART IN TUBE



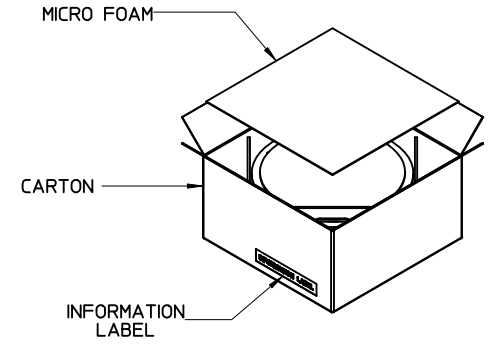
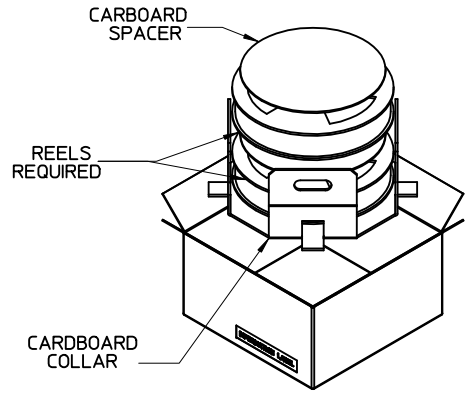
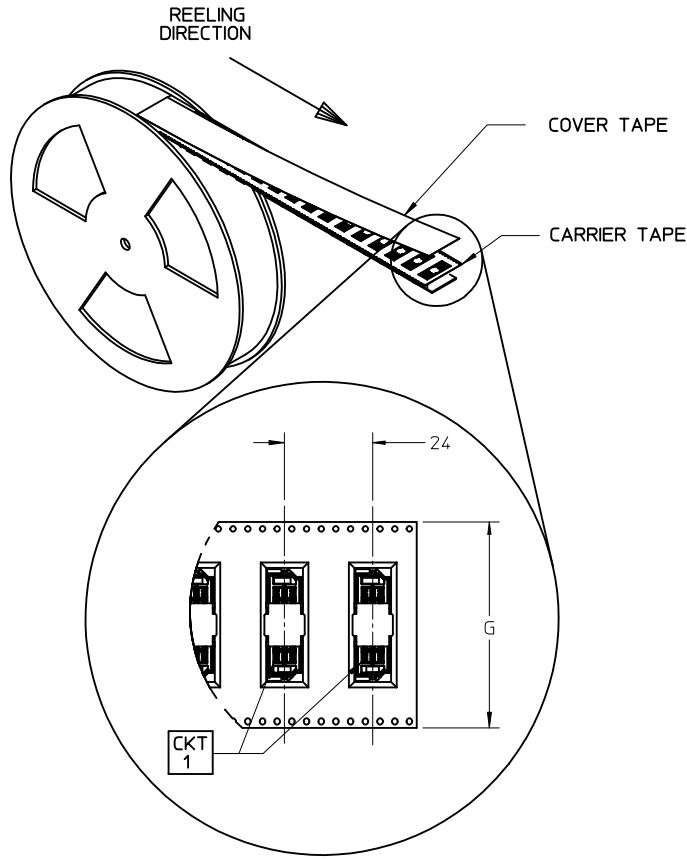
TUBE CARTON

TUBES STACKED TO FIT BOX

SEE SHEET 1 EC NO: UCP2010-4785 DR: MANSI BARRA 2010/01/22 CHKD: S DANIELLY 2001/10/25 APPR: SMILLER 2010/01/28	DESCRIPTION REV	QUALITY SYMBOLS	GENERAL TOLERANCES (UNLESS SPECIFIED)	DIMENSION STYLE MM ONLY		SCALE 3:1	DESIGN UNITS METRIC	THIRD ANGLE PROJECTION			
		$\nabla = 0$ $\nabla = 0$ $\nabla = 0$	mm INCH 4 PLACES ± --- ± --- 3 PLACES ± --- ± --- 2 PLACES ± 0.13 ± --- 1 PLACE ± 0.25 ± --- ANGULAR ± 1/2°	DRAWN BY KSTILES CHECKED BY KREGNIER APPROVED BY SMILLER MATERIAL NO.	DATE 2001/10/24 DATE 2001/10/25 DATE 2010/01/28	TITLE SALES DRAWING FOR HIGH SPEED MEZZANINE PLUG MOLEX INCORPORATED DOCUMENT NO. SD-75003-001 SHEET NO. 3 OF 8					
		DRAFT WHERE APPLICABLE MUST REMAIN WITHIN DIMENSIONS			SEE TABLE		THIS DRAWING CONTAINS INFORMATION THAT IS PROPRIETARY TO MOLEX INCORPORATED AND SHOULD NOT BE USED WITHOUT WRITTEN PERMISSION				
					SIZE B						

9 8 7 6 5 4 3 2 1

TAPE AND REEL PACKAGING



SEE SHEET 1 EC NO: UCP2010-1785 DRWNS:IBARRA 2010/01/22 CHKD:SDANNELLEY 2001/10/25 APPR:SMILLER 2010/01/28	QUALITY SYMBOLS	GENERAL TOLERANCES (UNLESS SPECIFIED)	DIMENSION STYLE MM ONLY		SCALE 2:1	DESIGN UNITS METRIC	THIRD ANGLE PROJECTION		
	$\nabla = 0$ $\nabla = 0$ $\nabla = 0$	4 PLACES	mm	INCH	DRAWN BY KSTILES	DATE 2001/10/24	TITLE SALES DRAWING FOR HIGH SPEED MEZZANINE PLUG		
		3 PLACES	±	±	CHECKED BY KREGNIER	DATE 2001/10/25			
		2 PLACES	±0.13	±	±	APPROVED BY SMILLER	DATE 2010/01/28	MOLEX INCORPORATED	DOCUMENT NO.
	1 PLACE	±0.25	±	±	MATERIAL NO. SEE TABLE		SD-75003-001	4 OF 8	
		ANGULAR ±1/2°		DRAFT WHERE APPLICABLE MUST REMAIN WITHIN DIMENSIONS					
		THIS DRAWING CONTAINS INFORMATION THAT IS PROPRIETARY TO MOLEX INCORPORATED AND SHOULD NOT BE USED WITHOUT WRITTEN PERMISSION							

PACKAGED IN TUBES

NUMBER OF CIRCUITS	NUMBER OF DIFFERENTIAL PAIRS	MATERIAL NUMBER	A	B	C	D	E	F	PARTS PER TUBE
12	6	NOT TOOLED	19.93	7.02	4.50	3.52	13.27	7.25	NOT TOOLED
12	6	750030305	19.93	7.02	5.50	3.52	13.27	8.25	28
12	6	NOT TOOLED	19.93	7.02	6.50	3.52	13.27	9.25	NOT TOOLED
12	6	750030308	19.93	7.02	8.50	3.52	13.27	11.25	28
12	6	750030310	19.93	7.02	10.50	3.52	13.27	13.25	28
12	6	NOT TOOLED	19.93	7.02	12.50	3.52	13.27	15.25	NOT TOOLED
24	12	NOT TOOLED	30.46	17.55	4.50	14.05	23.80	7.25	NOT TOOLED
24	12	750030005	30.46	17.55	5.50	14.05	23.80	8.25	18
24	12	NOT TOOLED	30.46	17.55	6.50	14.05	23.80	9.25	NOT TOOLED
24	12	750030008	30.46	17.55	8.50	14.05	23.80	11.25	18
24	12	750030010	30.46	17.55	10.50	14.05	23.80	13.25	18
24	12	NOT TOOLED	30.46	17.55	12.50	14.05	23.80	15.25	NOT TOOLED

SEE SHEET 1 EC NO: UCP2010-1785 DRWN:MS IBARRA 2010/01/22 CHKD:SDANNELLEY 2001/10/25 APPR:SMILLER 2010/01/28	DESCRIPTION H	QUALITY SYMBOLS $\nabla Z=0$ $\nabla Z=0$ $\nabla Z=0$	GENERAL TOLERANCES (UNLESS SPECIFIED) <table border="1" style="width: 100%; border-collapse: collapse;"> <tr> <th></th> <th>mm</th> <th>INCH</th> </tr> <tr> <td>4 PLACES</td> <td>± ---</td> <td>± ---</td> </tr> <tr> <td>3 PLACES</td> <td>± ---</td> <td>± ---</td> </tr> <tr> <td>2 PLACES</td> <td>± 0.13</td> <td>± ---</td> </tr> <tr> <td>1 PLACE</td> <td>± 0.25</td> <td>± ---</td> </tr> </table>		mm	INCH	4 PLACES	± ---	± ---	3 PLACES	± ---	± ---	2 PLACES	± 0.13	± ---	1 PLACE	± 0.25	± ---	DIMENSION STYLE MM ONLY	SCALE 2:1	DESIGN UNITS METRIC	THIRD ANGLE PROJECTION
			mm	INCH																		
		4 PLACES	± ---	± ---																		
		3 PLACES	± ---	± ---																		
2 PLACES	± 0.13	± ---																				
1 PLACE	± 0.25	± ---																				
DRAWN BY DATE KSTILES 2001/10/24			TITLE SALES DRAWING FOR HIGH SPEED MEZZANINE PLUG																			
CHECKED BY DATE KREGNIER 2001/10/25																						
APPROVED BY DATE SMILLER 2010/01/28			MATERIAL NO. SEE TABLE																			
DRAFT WHERE APPLICABLE MUST REMAIN WITHIN DIMENSIONS			THIS DRAWING CONTAINS INFORMATION THAT IS PROPRIETARY TO MOLEX INCORPORATED AND SHOULD NOT BE USED WITHOUT WRITTEN PERMISSION																			

MOLEX INCORPORATED
 DOCUMENT NO. **SD-75003-001** SHEET NO. **5 OF 8**

PACKAGED IN TUBES

NUMBER OF CIRCUITS	NUMBER OF DIFFERENTIAL PAIRS	MATERIAL NUMBER	A	B	C	D	E	F	PARTS PER TUBE
48	24	NOT TOOLED	51.52	38.61	4.50	35.11	44.86	7.25	NOT TOOLED
48	24	750030105	51.52	38.61	5.50	35.11	44.86	8.25	10
48	24	NOT TOOLED	51.52	38.61	6.50	35.11	44.86	9.25	NOT TOOLED
48	24	NOT TOOLED	51.52	38.61	8.50	35.11	44.86	11.25	NOT TOOLED
48	24	750030110	51.52	38.61	10.50	35.11	44.86	13.25	10
48	24	NOT TOOLED	51.52	38.61	12.50	35.11	44.86	15.25	NOT TOOLED
72	36	NOT TOOLED	72.58	59.67	4.50	56.17	65.92	7.25	NOT TOOLED
72	36	750030205	72.58	59.67	5.50	56.17	65.92	8.25	7
72	36	NOT TOOLED	72.58	59.67	6.50	56.17	65.92	9.25	NOT TOOLED
72	36	NOT TOOLED	72.58	59.67	8.50	56.17	65.92	11.25	NOT TOOLED
72	36	750030210	72.58	59.67	10.50	56.17	65.92	13.25	7
72	36	NOT TOOLED	72.58	59.67	12.50	56.17	65.92	15.25	NOT TOOLED

SEE SHEET 1 EC NO: UCP2010-1785 DRWN:MSIBARRA 2010/01/22 CHKD:SDANNELLEY 2001/10/25 APPR:SMILLER 2010/01/28 H	QUALITY SYMBOLS $\nabla = 0$ $\nabla = 0$ $\nabla = 0$	GENERAL TOLERANCES (UNLESS SPECIFIED) mm INCH 4 PLACES ± --- ± --- 3 PLACES ± --- ± --- 2 PLACES ± 0.13 ± --- 1 PLACE ± 0.25 ± --- ANGULAR ± 1/2°	DIMENSION STYLE MM ONLY DRAWN BY DATE KSTILES 2001/10/24 CHECKED BY DATE KREGNIER 2001/10/25 APPROVED BY DATE SMILLER 2010/01/28	SCALE 3:1	DESIGN UNITS METRIC	THIRD ANGLE PROJECTION	SALES DRAWING FOR HIGH SPEED MEZZANINE PLUG MOLEX INCORPORATED DOCUMENT NO. SD-75003-001	SHEET NO. 6 OF 8		
	DRAFT WHERE APPLICABLE MUST REMAIN WITHIN DIMENSIONS		SEE TABLE		THIS DRAWING CONTAINS INFORMATION THAT IS PROPRIETARY TO MOLEX INCORPORATED AND SHOULD NOT BE USED WITHOUT WRITTEN PERMISSION					

PACKAGED IN TAPE AND REEL

NUMBER OF CIRCUITS	NUMBER OF DIFFERENTIAL PAIRS	MATERIAL NUMBER	A	B	C	D	E	F	CARRIER TAPE WIDTH G	PARTS PER REEL
12	6	NOT TOOLED	19.93	7.02	4.50	3.52	13.27	7.25	NOT TOOLED	
12	6	750032305	19.93	7.02	5.50	3.52	13.27	8.25	NOT TOOLED	
12	6	NOT TOOLED	19.93	7.02	6.50	3.52	13.27	9.25	NOT TOOLED	
12	6	750032308	19.93	7.02	8.50	3.52	13.27	11.25	NOT TOOLED	
12	6	750032310	19.93	7.02	10.50	3.52	13.27	13.25	NOT TOOLED	
12	6	NOT TOOLED	19.93	7.02	12.50	3.52	13.27	15.25	NOT TOOLED	
24	12	NOT TOOLED	30.46	17.55	4.50	14.05	23.80	7.25	NOT TOOLED	
24	12	750032005	30.46	17.55	5.50	14.05	23.80	8.25	NOT TOOLED	
24	12	NOT TOOLED	30.46	17.55	6.50	14.05	23.80	9.25	NOT TOOLED	
24	12	750032008	30.46	17.55	8.50	14.05	23.80	11.25	56	186
24	12	750032010	30.46	17.55	10.50	14.05	23.80	13.25	NOT TOOLED	
24	12	NOT TOOLED	30.46	17.55	12.50	14.05	23.80	15.25	NOT TOOLED	

SEE SHEET 1 EC NO: UCP2010-4785 DRW:MS IBARRA 2010/01/22 CHKD:SDANNELLEY 2001/10/25 APPR:SMILLER 2010/01/28	DESCRIPTION H	QUALITY SYMBOLS	GENERAL TOLERANCES (UNLESS SPECIFIED)		DIMENSION STYLE MM ONLY		SCALE 3:1	DESIGN UNITS METRIC	THIRD ANGLE PROJECTION		
		$\nabla F=0$ $\nabla E=0$ $\nabla D=0$	mm INCH 4 PLACES ± --- ± --- 3 PLACES ± --- ± --- 2 PLACES ± 0.13 ± --- 1 PLACE ± 0.25 ± ---	DRAWN BY KSTILES	DATE 2001/10/24	TITLE SALES DRAWING FOR HIGH SPEED MEZZANINE PLUG					
		ANGULAR ± 1/2°		CHECKED BY KREGNIER	DATE 2001/10/25						
		DRAFT WHERE APPLICABLE MUST REMAIN WITHIN DIMENSIONS		APPROVED BY SMILLER	DATE 2010/01/28	MATERIAL NO. SEE TABLE		DOCUMENT NO. SD-75003-001	SHEET NO. 7 OF 8		

PACKAGED IN TAPE AND REEL

NUMBER OF CIRCUITS	NUMBER OF DIFFERENTIAL PAIRS	MATERIAL NUMBER	A	B	C	D	E	F	CARRIER TAPE WIDTH G		PARTS PER REEL
48	24	NOT TOOLED	51.52	38.61	4.50	35.11	44.86	7.25	NOT TOOLED		
48	24	750032105	51.52	38.61	5.50	35.11	44.86	8.25	72		260
48	24	NOT TOOLED	51.52	38.61	6.50	35.11	44.86	9.25	NOT TOOLED		
48	24	NOT TOOLED	51.52	38.61	8.50	35.11	44.86	11.25	NOT TOOLED		
48	24	750032110	51.52	38.61	10.50	35.11	44.86	13.25	72		160
48	24	NOT TOOLED	51.52	38.61	12.50	35.11	44.86	15.25	NOT TOOLED		
72	36	NOT TOOLED	72.58	59.67	4.50	56.17	65.92	7.25	NOT TOOLED		
72	36	750032205	72.58	59.67	5.50	56.17	65.92	8.25	NOT TOOLED		
72	36	NOT TOOLED	72.58	59.67	6.50	56.17	65.92	9.25	NOT TOOLED		
72	36	NOT TOOLED	72.58	59.67	8.50	56.17	65.92	11.25	NOT TOOLED		
72	36	750032210	72.58	59.67	10.50	56.17	65.92	13.25	NOT TOOLED		
72	36	NOT TOOLED	72.58	59.67	12.50	56.17	65.92	15.25	NOT TOOLED		

ADD PKG DETAILS EC NO: UCP2010-1785 DRWN:MSIBARRA 2010/01/22 CHKD:SDANIELLEY 2001/10/25 APPR:SMILLER 2010/01/28	QUALITY SYMBOLS $\nabla = 0$ $\nabla = 0$ $\nabla = 0$	GENERAL TOLERANCES (UNLESS SPECIFIED) <table style="width: 100%; border-collapse: collapse;"> <tr> <td></td> <td style="text-align: center;">mm</td> <td style="text-align: center;">INCH</td> </tr> <tr> <td>4 PLACES</td> <td style="text-align: center;">\pm---</td> <td style="text-align: center;">\pm---</td> </tr> <tr> <td>3 PLACES</td> <td style="text-align: center;">\pm---</td> <td style="text-align: center;">\pm---</td> </tr> <tr> <td>2 PLACES</td> <td style="text-align: center;">\pm0.13</td> <td style="text-align: center;">\pm---</td> </tr> <tr> <td>1 PLACE</td> <td style="text-align: center;">\pm0.25</td> <td style="text-align: center;">\pm---</td> </tr> <tr> <td colspan="3" style="text-align: center;">ANGULAR $\pm 1/2^\circ$</td> </tr> </table>		mm	INCH	4 PLACES	\pm ---	\pm ---	3 PLACES	\pm ---	\pm ---	2 PLACES	\pm 0.13	\pm ---	1 PLACE	\pm 0.25	\pm ---	ANGULAR $\pm 1/2^\circ$			DIMENSION STYLE MM ONLY DRAWN BY DATE KSTILES 2001/10/24 CHECKED BY DATE KREGNIER 2001/10/25 APPROVED BY DATE SMILLER 2010/01/28 MATERIAL NO.	SCALE 3:1	DESIGN UNITS METRIC	THIRD ANGLE PROJECTION
		mm	INCH																					
	4 PLACES	\pm ---	\pm ---																					
	3 PLACES	\pm ---	\pm ---																					
2 PLACES	\pm 0.13	\pm ---																						
1 PLACE	\pm 0.25	\pm ---																						
ANGULAR $\pm 1/2^\circ$																								
SALES DRAWING FOR HIGH SPEED MEZZANINE PLUG																								
molex MOLEX INCORPORATED																								
DRAFT WHERE APPLICABLE MUST REMAIN WITHIN DIMENSIONS				SEE TABLE	DOCUMENT NO. SD-75003-001	SHEET NO. 8 OF 8																		
THIS DRAWING CONTAINS INFORMATION THAT IS PROPRIETARY TO MOLEX INCORPORATED AND SHOULD NOT BE USED WITHOUT WRITTEN PERMISSION																								