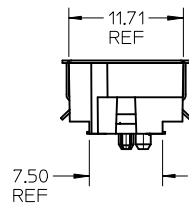
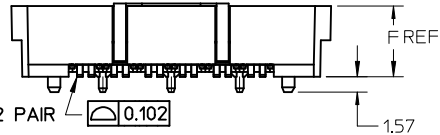
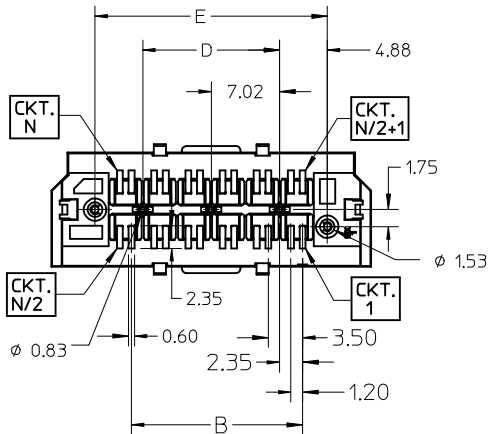
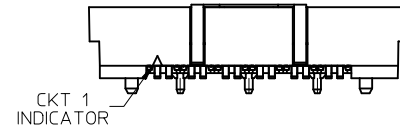
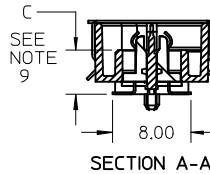


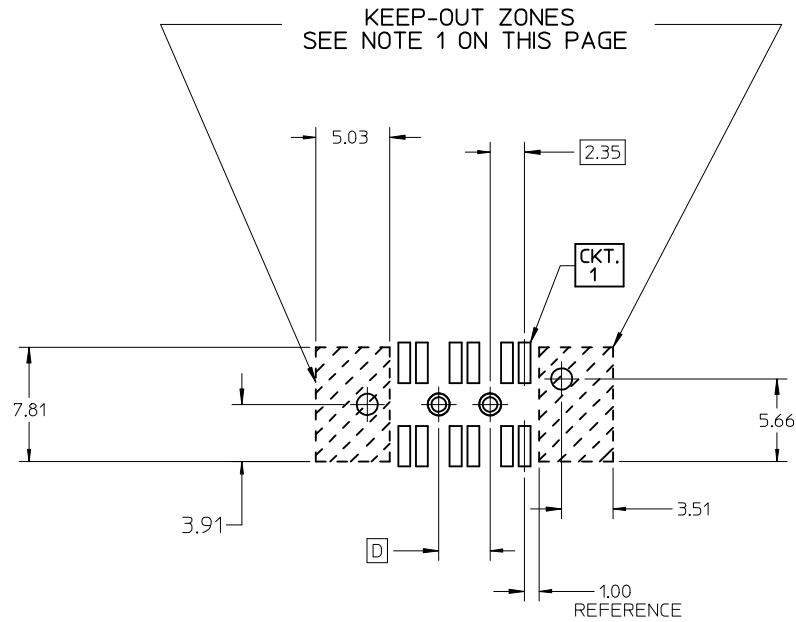
- NOTES:
- 1) MATERIALS:
HOUSING - LIQUID CRYSTAL POLYMER, UL94 V-0, NATURAL
CHICKLET - LIQUID CRYSTAL POLYMER, UL94 V-0, BLACK
CONTACT - TIN BRASS
 - 2) CONTACT PLATING FINISH:
0.76 MICRON MIN. SELECT GOLD AND
3.81 MICRON MIN. SELECT PURE TIN OVER
1.27 MICRON MIN. NICKEL OVERALL
 - 3) HOUSING PLATING FINISH:
0.10 MICRON MAX IMMERSION GOLD OVER
3.81 MICRON MIN. NICKEL OVER
3.81 MICRON MIN. COPPER
 - 4) 4.5mm 12 PAIR ASSEMBLY SHOWN.
 - 5) PART CONFORMS TO MOLEX COSMETIC SPECIFICATION PS-75005-002.
 - 6) PART PERFORMS TO MOLEX PRODUCT SPECIFICATION PS-75005-001.
 - 7) PACKAGING (SEE TABLE):
TAPE AND REEL: PER PK-75005-001.
TUBES: PER PK-75005-002.
 - 8) FOR AUTO-PLACEMENT APPLICATIONS: PCB ORIENTATION HOLE TO BE $\phi 1.65 \pm 0.05$
FOR HAND PLACEMENT APPLICATIONS: PCB ORIENTATION HOLE TO BE $\phi 1.45 \pm 0.05$
 - 9) THIS DIMENSION CONTROLS THE STACK HEIGHT OF THE MATED CONNECTORS.
 - 10) PLEASE REFER TO MOLEX APPLICATION SPECIFICATION AS-75005-001 FOR SUITABLE PROCESSING TEMPERATURES, PERMISSIBLE OFFSETS, AND MATING SEQUENCES.
 - 11) THESE PLATED THRU HOLES SHOULD BE CONNECTED TO SIGNAL GROUND.
 - 12) THIS PART MATES WITH THE 75003 PLUG.
 - 13) THIS PART IS RECOMMENDED TO BE PLACED ON THE PLANAR OR HOST PCB.
 - 14) HOUSING IS CONDUCTIVE, UNINSULATED TRACES MUST BE KEPT OUT OF KEEP-OUT ZONE.
 - 15) EACH SIDE IS MEASURED TO A COMMON DATUM WITH-IN A COPLANARITY OF 0.102mm FOR 6 AND 12 PAIR, 0.114mm FOR 24 PAIR AND 0.127mm FOR 36 PAIR, THE SIDES MAY VARY TO EACH OTHER BY 0.05mm MAX.



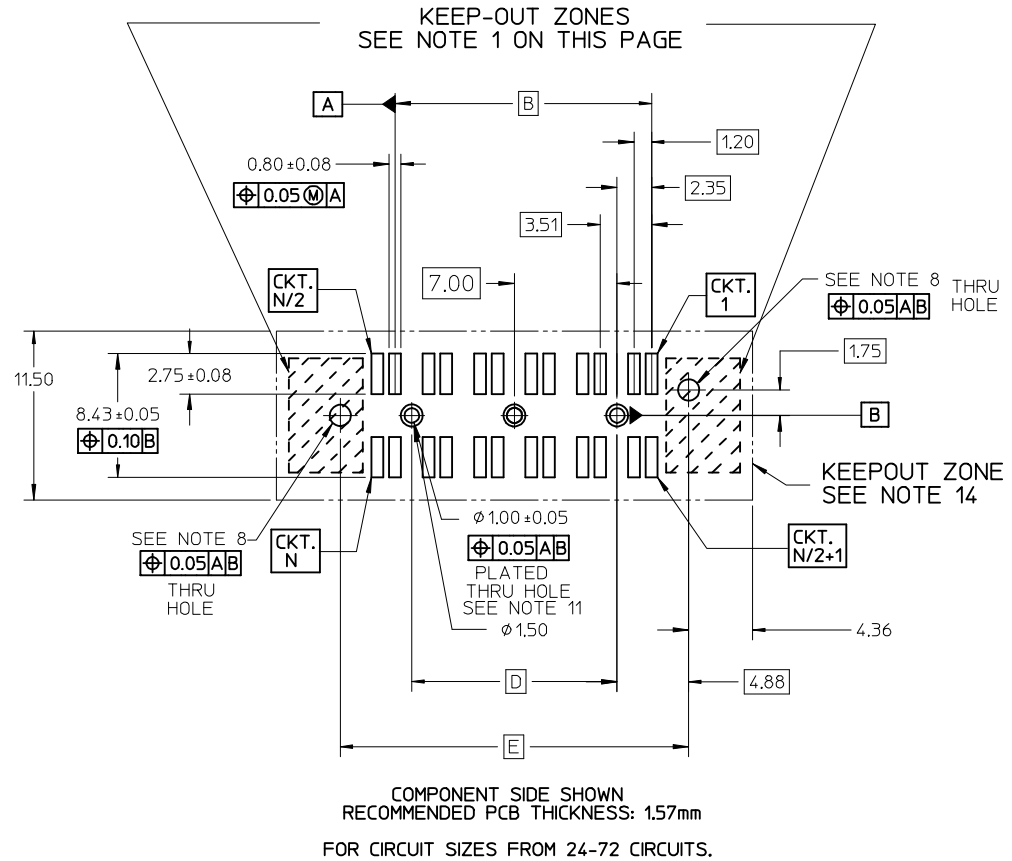
FOR 6 AND 12 PAIR $\Delta 0.102$
 FOR 24 PAIR $\Delta 0.114$
 FOR 36 PAIR $\Delta 0.127$
 N SURFACES
 N = # OF CIRCUITS
 (SEE NOTE 15)



ADD KEEP-OUT ZONES EC NO: UCP2007-0343 DRWN:MSIBARRA 2006/10/25 CHKD:BBARKER 2006/10/27 APPR:SMILLER 2006/10/30	QUALITY SYMBOLS -0 -0	GENERAL TOLERANCES (UNLESS SPECIFIED)	SCALE 2:1	DESIGN UNITS METRIC	THIRD ANGLE PROJECTION	REVISE ON CAD ONLY	
		mm INCH	DIMENSION STYLE MM ONLY		TITLE		
		4 PLACES ± --- ± ---	DRAWN BY KSTILES	DATE 10/24/2001	SALES DRAWING FOR HIGH SPEED MEZZANINE RECEPTACLE		
		3 PLACES ± --- ± ---	CHECKED BY KREGNIER	DATE 10/25/2001			
2 PLACES ± 0.13 ± ---	APPROVED BY MBANAKIS	DATE 2001/12/13	MATERIAL NO. SEE CHART		DOCUMENT NO. SD-75005-001	SHEET NO. 1 OF 3	
1 PLACE ± 0.25 ± ---	DRAFT WHERE APPLICABLE MUST REMAIN WITHIN DIMENSIONS		THIS DRAWING CONTAINS INFORMATION THAT IS PROPRIETARY TO MOLEX INCORPORATED AND SHOULD NOT BE USED WITHOUT WRITTEN PERMISSION				



COMPONENT SIDE SHOWN
 RECOMMENDED PCB THICKNESS: 1.57mm
 FOR 12 CIRCUIT OPTION
 FOR DIMENSIONS NOT SHOWN REFER TO
 THE 24-72 CIRCUIT PCB LAYOUT.



COMPONENT SIDE SHOWN
 RECOMMENDED PCB THICKNESS: 1.57mm
 FOR CIRCUIT SIZES FROM 24-72 CIRCUITS.

UNLESS OTHERWISE SPECIFIED, DIMENSIONS ARE COMMON TO BOTH VIEWS

NOTE:
 1. NO FEATURES (INCLUDING SOLDER PASTE) WHICH RISE ABOVE THE PCB SURFACE ALLOWED IN THIS AREA.

ADD KEEP-OUT ZONES EC NO: UCP2007-0343 DRWN:MSIBARRA 2006/10/25 CHKD:BBARKER 2006/10/27 APPR: SWILLER 2006/10/30	QUALITY SYMBOLS ▽ - 0 ▽ - 0	GENERAL TOLERANCES (UNLESS SPECIFIED)		SCALE 3:1	DESIGN UNITS METRIC	THIRD ANGLE PROJECTION	REVISE ON CAD ONLY	
		mm	INCH	DIMENSION STYLE MM ONLY		TITLE SALES DRAWING FOR HIGH SPEED MEZZANINE RECEPTACLE		
		4 PLACES ± ---	± ---	DRAWN BY KSTILES	DATE 10/24/2001	MOLEX INCORPORATED MATERIAL NO. SEE CHART SD-75005-001 DOCUMENT NO. SD-75005-001 SHEET NO. 2 OF 3		
		3 PLACES ± ---	± ---	CHECKED BY KREGNIER	DATE 10/25/2001			
2 PLACES ± 0.13	± ---	APPROVED BY MBANAKIS	DATE 2001/12/13	THIS DRAWING CONTAINS INFORMATION THAT IS PROPRIETARY TO MOLEX INCORPORATED AND SHOULD NOT BE USED WITHOUT WRITTEN PERMISSION				
1 PLACE ± 0.25	± ---	ANGULAR ±1/2°		DRAFT WHERE APPLICABLE MUST REMAIN WITHIN DIMENSIONS				

NUMBER OF CIRCUITS	NUMBER OF DIFFERENTIAL PAIRS	MATERIAL NUMBER	A	B	C	D	E	F	PACKAGING SEE NOTE 7
12	6	750050304	22.23	7.02	4.50	3.52	13.27	7.25	TAPE AND REEL
12	6	750050306	22.30	7.02	6.50	3.52	13.27	9.25	TAPE AND REEL
12	6	NOT TOOLED	22.51	7.02	12.50	3.52	13.27	15.25	TAPE AND REEL
24	12	750050004	32.76	17.55	4.50	14.05	23.80	7.25	TAPE AND REEL
24	12	750050006	32.83	17.55	6.50	14.05	23.80	9.25	TAPE AND REEL
24	12	NOT TOOLED	33.04	17.55	12.50	14.05	23.80	15.25	TAPE AND REEL
24	12	75005-0014	33.04	17.55	14.50	14.04	23.80	17.25	TUBES
48	24	750050104	53.82	38.61	4.50	35.11	44.86	7.25	TAPE AND REEL
48	24	NOT TOOLED	54.10	38.61	12.50	35.11	44.86	15.25	TAPE AND REEL
48	24	75005-0114	54.10	38.61	14.50	35.11	44.86	17.25	TUBES
72	36	750050204	74.88	59.67	4.50	56.17	65.92	7.25	TAPE AND REEL
72	36	NOT TOOLED	75.16	59.67	12.50	56.17	65.92	15.25	TAPE AND REEL
72	36	750050214	75.16	59.67	14.50	56.17	65.92	17.25	TAPE AND REEL

UPDATE REV LEVEL EC NO: UCP2007-0343 DRWN:MSIBARRA 2006/10/25 CHKD:BBARKER 2006/10/27 APPR:SMILLER 2006/10/30	QUALITY SYMBOLS	GENERAL TOLERANCES (UNLESS SPECIFIED)		SCALE 3:1	DESIGN UNITS METRIC	THIRD ANGLE PROJECTION	REVISE ON CAD ONLY		
	- 0 - 0	mm	INCH	DIMENSION STYLE MM ONLY	TITLE SALES DRAWING FOR HIGH SPEED MEZZANINE RECEPTACLE				
		4 PLACES ± --- ± ---	3 PLACES ± --- ± ---	DRAWN BY KSTILES	DATE 10/24/2001	MOLEX INCORPORATED			
		2 PLACES ± 0.13 ± ---	1 PLACE ± 0.25 ± ---	CHECKED BY KREGNIER	DATE 10/25/2001	MATERIAL NO. SEE CHART	DOCUMENT NO. SD-75005-001	SHEET NO. 3 OF 3	
	ANGULAR ±1/2°	DRAFT WHERE APPLICABLE MUST REMAIN WITHIN DIMENSIONS		APPROVED BY MBANAKIS	DATE 2001/12/13	THIS DRAWING CONTAINS INFORMATION THAT IS PROPRIETARY TO MOLEX INCORPORATED AND SHOULD NOT BE USED WITHOUT WRITTEN PERMISSION			