

General Specifications

Motor Protection:

Auto Restart/Polarity Protection

Insulation Resistance:

10M Ω or over with a DC500V Megger

Dielectric Withstand Voltage: AC 700V 1s

Allowable Ambient Temperature Range:

N Class: -10°C ~ +40°C (Operating)
 L ~ M Class: -10°C ~ +70°C (Operating)
 L ~ M Class: -40°C ~ +70°C (Storage)
 N Class: -40°C ~ +60°C (Storage)
 (non-condensing environment)

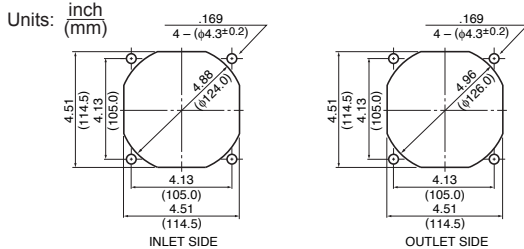
Expected Life

Failure Rate: 10%
 25°C 100,000 Hours

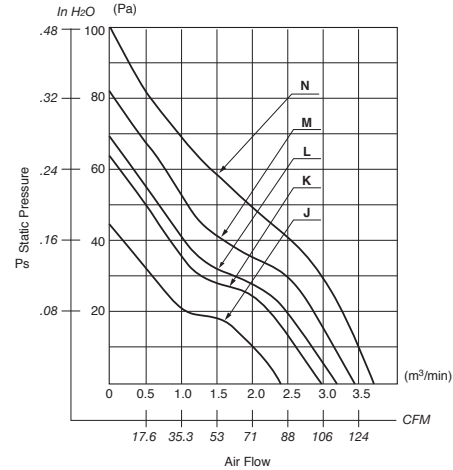
Material

Casing : Plastic (Black) UL94V-0
 Impeller : Plastic (Black) UL94V-0
 Bearing : Ball Bearing
 Lead Wire : UL1007, AWG24, +Red, -Black

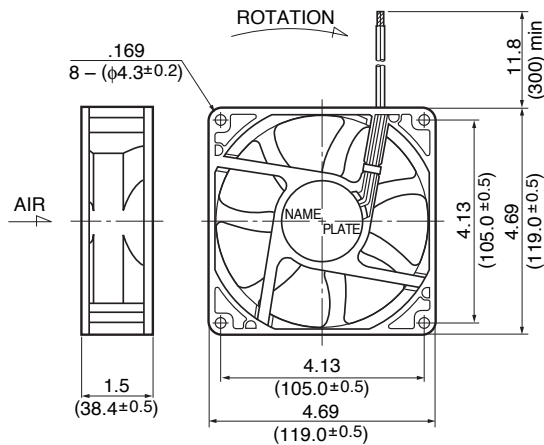
Panel Cut-Outs



Characteristic Curves



Outline



Specifications

| MODEL | LEGACY P/N | Rated Voltage | Operating Voltage | Current | Input Power | Speed | Max. Air Flow | | Max. Static Pressure | | Noise | Mass |
|----------------------|--------------------|---------------|-------------------|-------------------|-------------------|------------------------------------|-------------------|-------------------------------------|----------------------|--------------------|--------------------|------|
| | | (V) | (V) | (A) ^{*1} | (W) ^{*1} | (min ⁻¹) ^{*1} | CFM ^{*1} | (m ³ /min) ^{*1} | in H ₂ O | (Pa) ^{*1} | (dB) ^{*1} | (g) |
| 11938KA-12J-EA-00 | 4715KL-04W-B10-E00 | 12 | 6.0 ~ 13.8 | 0.27 | 3.24 | 2300 | 83.6 | 2.37 | .17 | 44.1 | 37.0 | 260 |
| 11938KA-12K-EA-00 | 4715KL-04W-B20-E00 | 12 | 6.0 ~ 13.8 | 0.40 | 4.80 | 2650 | 97.0 | 2.75 | .22 | 55.9 | 41.0 | 260 |
| 11938KA-12L-EA-00 | 4715KL-04W-B30-E00 | 12 | 6.0 ~ 13.8 | 0.55 | 6.60 | 2950 | 108.0 | 3.07 | .27 | 68.2 | 42.5 | 260 |
| 11938KA-12M-EA-00 | 4715KL-04W-B40-E00 | 12 | 6.0 ~ 13.8 | 0.70 | 8.40 | 3200 | 118.0 | 3.34 | .33 | 81.4 | 46.5 | 260 |
| 11938KA-12N-EA-00 | 4715KL-04W-B50-E00 | 12 | 9.5 ~ 12.6 | 1.00 | 12.00 | 3600 | 129.9 | 3.68 | .44 | 110.0 | 50.0 | 260 |
| 11938KA-24J-EA-00 | 4715KL-05W-B10-E00 | 24 | 10.0 ~ 27.6 | 0.15 | 3.60 | 2300 | 83.6 | 2.37 | .17 | 44.1 | 37.0 | 260 |
| 11938KA-24K-EA-00 | 4715KL-05W-B20-E00 | 24 | 10.0 ~ 27.6 | 0.21 | 5.04 | 2650 | 97.0 | 2.75 | .22 | 55.9 | 41.0 | 260 |
| 11938KA-24L-EA-00 | 4715KL-05W-B30-E00 | 24 | 10.0 ~ 27.6 | 0.31 | 7.44 | 2950 | 108.0 | 3.07 | .27 | 68.2 | 42.5 | 260 |
| 11938KA-24M-EA-00 | 4715KL-05W-B40-E00 | 24 | 10.0 ~ 27.6 | 0.35 | 8.40 | 3200 | 118.0 | 3.34 | .33 | 81.4 | 46.5 | 260 |
| 11938KA-24N-EA-00 | 4715KL-05W-B50-E00 | 24 | 18.0 ~ 25.0 | 0.50 | 12.00 | 3600 | 130.0 | 3.68 | .44 | 110.0 | 50.0 | 260 |
| 11938KA-48J-EA-00 | 4715KL-07W-B10-E00 | 48 | 25.0 ~ 55.2 | 0.08 | 3.84 | 2300 | 83.6 | 2.37 | .17 | 44.1 | 37.0 | 260 |
| 11938KA-48K-EA-00 | 4715KL-07W-B20-E00 | 48 | 25.0 ~ 55.2 | 0.11 | 5.28 | 2650 | 97.0 | 2.75 | .22 | 55.9 | 41.0 | 260 |
| 11938KA-48L-EA-00 | 4715KL-07W-B30-E00 | 48 | 25.0 ~ 55.2 | 0.16 | 7.68 | 2950 | 108.0 | 3.07 | .27 | 68.2 | 42.5 | 260 |
| ** 11938KA-48M-EA-00 | 4715KL-07W-B40-E00 | 48 | 25.0 ~ 55.2 | 0.20 | 9.60 | 3200 | 118.0 | 3.34 | .33 | 81.4 | 46.5 | 260 |
| 11938KA-48N-EA-00 | 4715KL-07W-B50-E00 | 48 | 30.0 ~ 60.0 | 0.16 | 7.68 | 3600 | 130.0 | 3.68 | .44 | 110.0 | 50.0 | 260 |

Rotation: Clockwise

Airflow Outlet: Air Out Over Struts

*1: Average Values in Free Air

Note: PWM/Locked Rotor/Tach Available

** Contact NMB for availability