



# TDF8541

## I<sup>2</sup>C-bus controlled 4 × 45 W power amplifier

Rev. 3 — 13 December 2011

Product data sheet

## 1. General description

The TDF8541 is one of a new generation of complementary quad Bridge-Tied Load (BTL) audio power amplifiers intended for automotive applications. It has full I<sup>2</sup>C-bus controlled diagnostics, including start-up diagnostics. The TDF8541 can operate at a battery voltage as low as 6 V making this amplifier suitable for stop/start-car operation.

The amplifier uses a complementary DMOS output stage in a Silicon-On-Insulator (SOI)-based BCD process. The DMOS output stage ensures a high power output signal with perfect sound quality. The SOI-based BCD process ensures a robust amplifier, where latch-up cannot occur, with good separation between the four independent channels, with every component isolated and without substrate currents.

## 2. Features and benefits

- Stop/start-car prepared: keeps operating without audible disturbance during engine start at a battery voltage as low as 6 V
- Operates in either legacy (non I<sup>2</sup>C-bus) or I<sup>2</sup>C-bus modes (3.3 V and 5 V compliant)
- Four hardware-programmable I<sup>2</sup>C-bus addresses
- Can drive 2 Ω and 4 Ω loads
- Speaker fault detection
- Start-up diagnostics with load detection: open, short, present; filtered for door-slam and chatter relays
- AC load (tweeter) detection with low and high current mode
- Gain select after start-up without audible disturbance
- Independent selectable soft mute of front and rear channels
- Programmable gain (26 dB and 16 dB), independently programmable for the front and rear channels
- Line driver mode supports engine start at a battery voltage as low as 6 V (16 dB and mid-tap voltage 0.25V<sub>P</sub>)
- Programmable clip detect: 2 %, 5 % or 10 %
- Programmable thermal pre-warning
- Pin STB can be programmed/multiplexed with second-clip detect
- Clip information of each channel can be directed separately to pin DIAG or pin STB
- Independent enabling of thermal-, clip- or load fault information (short across the load or to V<sub>P</sub> or to ground) on pin DIAG
- Loss-of-ground and open V<sub>P</sub> safe (minimum series resistance required)
- All amplifier outputs short-circuit proof to ground, supply voltage and across the load (channel independent)
- All pins short-circuit proof to ground



- Temperature controlled gain reduction to prevent audio holes at high junction temperatures
- Programmable low battery voltage detection to enable 7.5 V or 6 V minimum battery voltage operation
- Overvoltage protection (load-dump safe up to  $V_P = 50$  V) with overvoltage pre-warning at 16 V
- Offset detection

### 3. Quick reference data

Table 1. Quick reference data

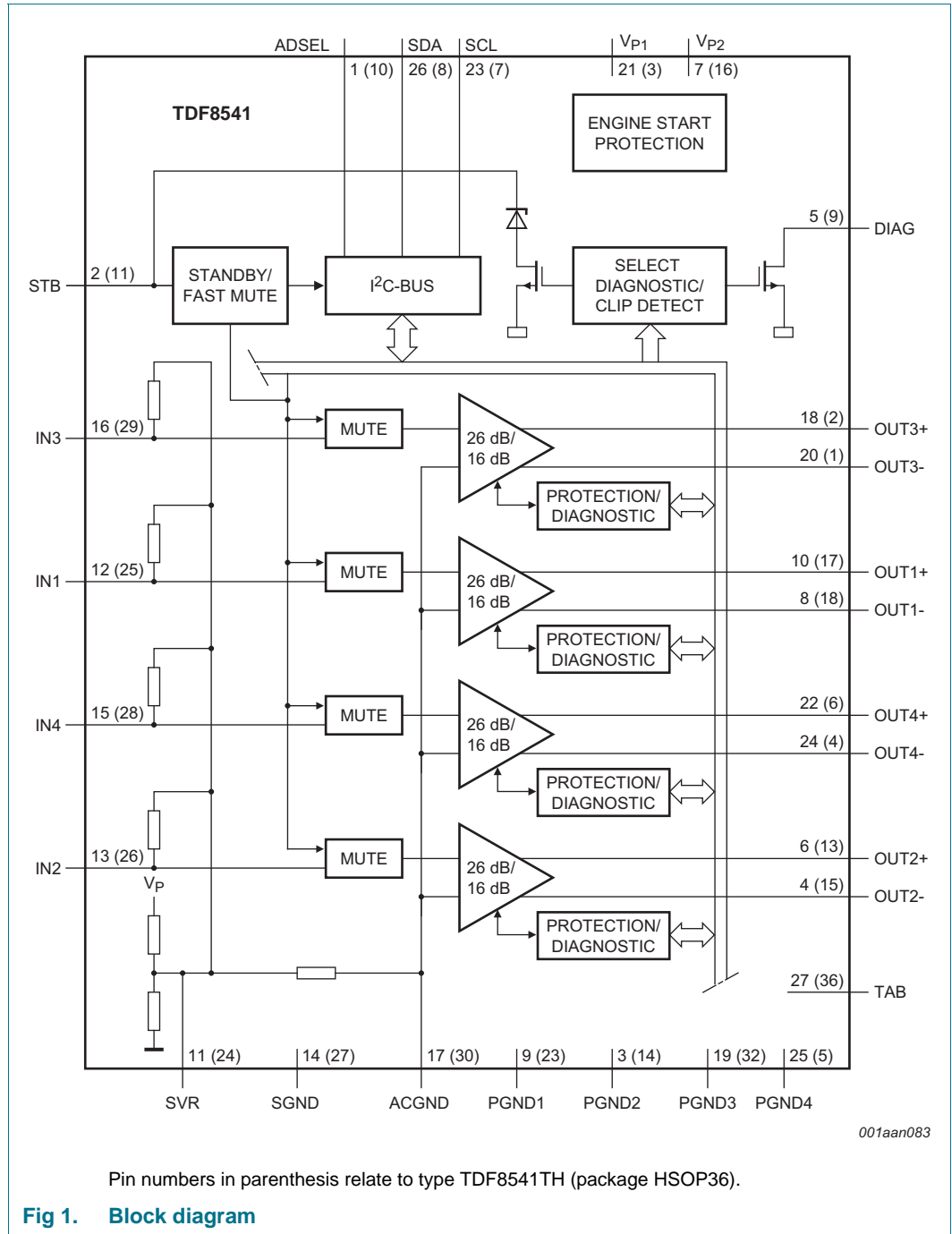
Symbol	Parameter	Conditions	Min	Typ	Max	Unit
$V_{P(oper)}$	operating supply voltage	$R_L = 4 \Omega$	6	14.4	18	V
$I_q$	quiescent current	no load	-	260	350	mA
		no load; $V_P = 7$ V	-	190	-	mA
$P_o$	output power	$R_L = 4 \Omega$ ; $V_P = 14.4$ V; THD = 0.5 %	18	20	-	W
		$R_L = 4 \Omega$ ; $V_P = 14.4$ V; THD = 10 %	23	25	-	W
		$R_L = 2 \Omega$ ; $V_P = 14.4$ V; THD = 10 %	40	44	-	W
$P_{o(max)}$	maximum output power	$R_L = 4 \Omega$ ; $V_P = 15.2$ V; $V_i = 2$ V RMS square wave	41	45	-	W
		$R_L = 2 \Omega$ ; $V_P = 14.4$ V; $V_i = 2$ V RMS square wave	58	64	-	W
THD	total harmonic distortion	$P_o = 1$ W to 12 W; $f_i = 1$ kHz; $R_L = 4 \Omega$	-	0.01	0.1	%
$V_{n(o)}$	output noise voltage	filter 20 Hz to 22 kHz (6th order); $R_S = 50 \Omega$				
		amplifier mode	-	40	60	$\mu$ V
		line driver mode	-	25	33	$\mu$ V

### 4. Ordering information

Table 2. Ordering information

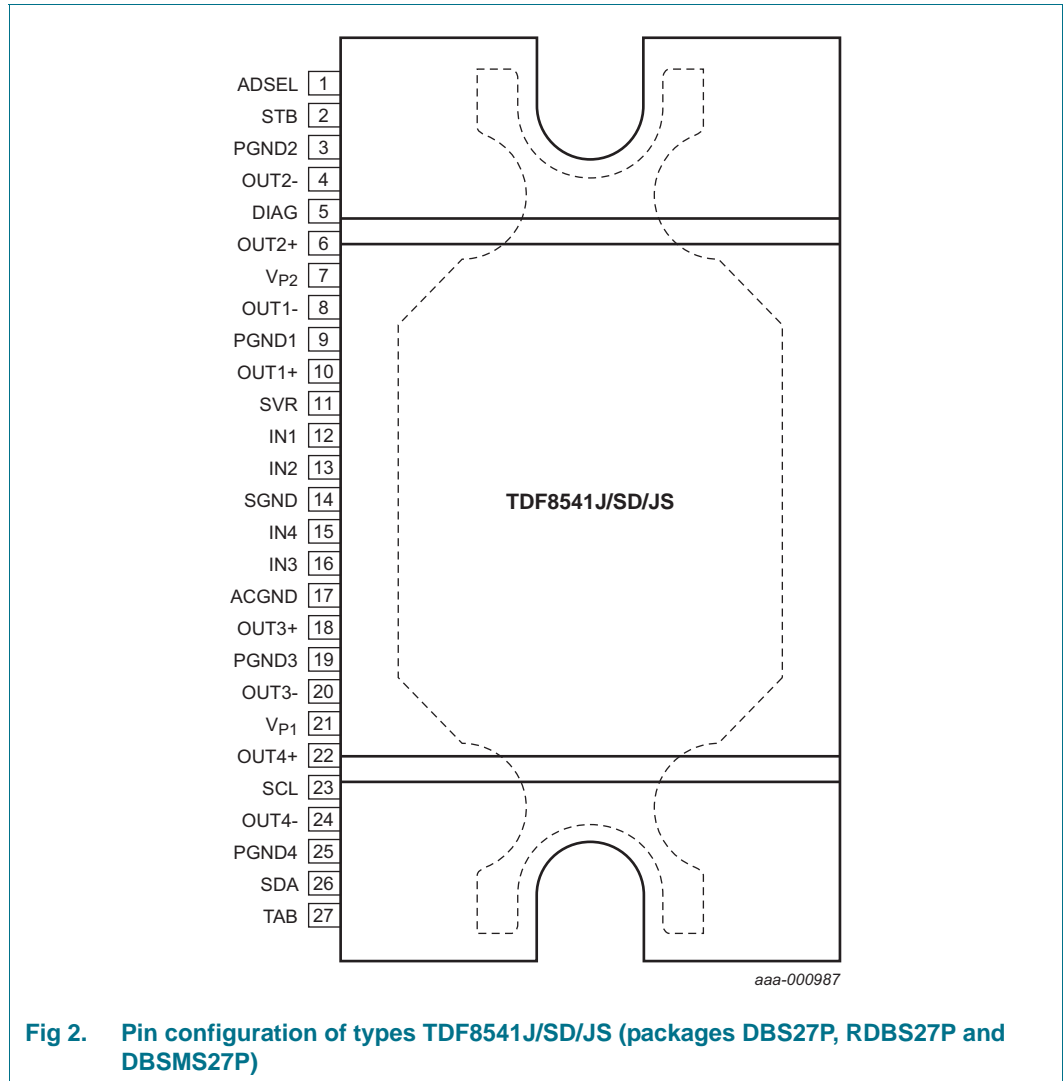
Type number	Package		Version
	Name	Description	
TDF8541J/N2	DBS27P	plastic DIL-bent-SIL (special bent) power package; 27 leads (lead length 6.8 mm)	SOT827-1
TDF8541SD/N2	RDBS27P	plastic rectangular-DIL-bent-SIL (reverse bent) power package; 27 leads (row spacing 2.54 mm)	SOT878-1
TDF8541TH/N2	HSOP36	plastic, heatsink small outline package; 36 leads; low stand-off height	SOT851-1
TDF8541JS/N2	DBSMS27P	plastic dual bent surface mounted SIL power package; 27 leads	SOT1154-1

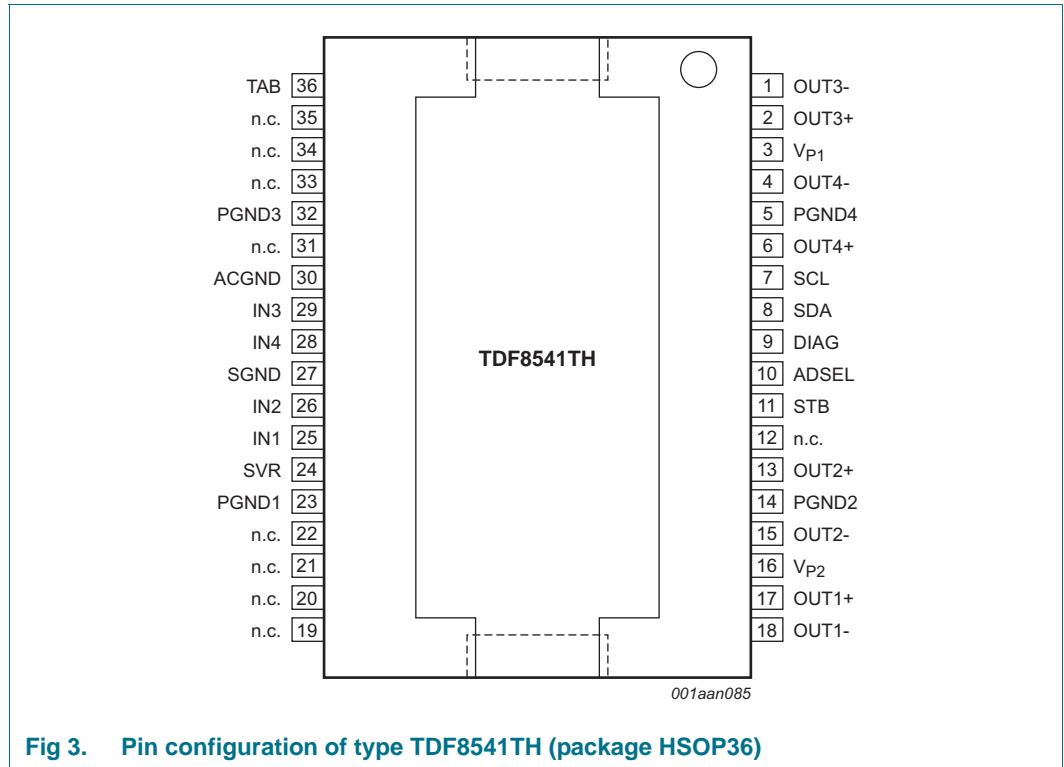
5. Block diagram



## 6. Pinning information

### 6.1 Pinning





**Fig 3. Pin configuration of type TDF8541TH (package HSOP36)**

## 6.2 Pin description

Table 3. Pin description

Symbol	Pin		Description
	TDF8541J/SD/JS	TDF8541TH	
ADSEL	1	10	I <sup>2</sup> C-bus address select
STB	2	11	stand-by (I <sup>2</sup> C-bus mode) or mode pin (legacy mode) programmable second clip indicator
PGND2	3	14	channel 2 power ground
OUT2-	4	15	channel 2 negative output (right rear)
DIAG	5	9	diagnostic and clip detection output
OUT2+	6	13	channel 2 positive output (right rear)
V <sub>P2</sub>	7	16	power supply voltage 2
OUT1-	8	18	channel 1 negative output (right front)
PGND1	9	23	channel 1 power ground
OUT1+	10	17	channel 1 positive output (right front)
SVR	11	24	half supply voltage filter capacitor
IN1	12	25	channel 1 input
IN2	13	26	channel 2 input
SGND	14	27	signal ground
IN4	15	28	channel 4 input
IN3	16	29	channel 3 input
ACGND	17	30	AC ground
OUT3+	18	2	channel 3 positive output (left front)
PGND3	19	32	channel 3 power ground
OUT3-	20	1	channel 3 negative output (left front)
V <sub>P1</sub>	21	3	power supply voltage 1
OUT4+	22	6	channel 4 positive output (left rear)
SCL	23	7	I <sup>2</sup> C-bus clock input
OUT4-	24	4	channel 4 negative output (left rear)
PGND4	25	5	channel 4 power ground
SDA	26	8	I <sup>2</sup> C-bus data input and output
TAB	27	36	heatsink connection; must be connected to ground
n.c.	-	12, 19, 20, 21, 22, 31, 33, 34, 35	not connected

## 7. Functional description

The TDF8541 is a complementary quad BTL audio power amplifier made with SOI-based BCDMOS technology. It contains four independent amplifiers in a BTL configuration; see [Figure 1](#). The amplifier remains fully operational at a battery voltage as low as 6 V. Below 6 V, a crank detector is activated to shut down the amplifier without audible plops.

The TDF8541 is protected against overvoltage, short-circuit, overtemperature, open ground and open  $V_P$  connections.

The diagnostics for temperature and clip levels are programmable via the I<sup>2</sup>C-bus, and the information indicated at diagnostic pins DIAG and STB is selectable. The status of each amplifier can be read separately for output offset, load or no load, short-circuit or speaker falsely connected.

During amplifier start-up the built-in start-up diagnostics can be used to detect shorted load, open load, short to ground or short to  $V_P$ . The TDF8541 is software and hardware compatible with its predecessor: stand-alone amplifier TDA8594 and TDA8595.

A resistor can be connected to pin ADSEL and ground to emulate an I<sup>2</sup>C-bus address that is determined by the resistor value. Up to four different I<sup>2</sup>C-bus addresses are possible; see [Table 8](#). If pin ADSEL is shorted to ground, the TDF8541 operates in legacy mode. In this mode, the I<sup>2</sup>C-bus is not needed and the function of pin STB changes from 2-level (Stand-by mode and On mode) to a 3-level pin (Stand-by mode, On mode and mute).

The output stage of an amplifier channel consists of two PDMOS power transistors and two NDMOS transistors in BTL configuration and ensures a high power output signal with perfect sound quality. The BCDMOS process is used with an isolated SOI substrate which ensures a robust amplifier, where latch-up cannot occur, and low crosstalk between the channels with every component isolated, without substrate currents.

The input stage is biased (at  $0.23 \times$  battery voltage + 1.4 V) and can accept an input voltage of up to 8 V (peak). The DC input bias voltage can be measured on pin SVR. At a bias voltage of  $0.23 \times$  battery voltage + 1.4 V (= 4.7 V at a supply of 14.4 V), the input capacitors can remain biased even with an engine start crank as low as 6 V. If the input capacitors are allowed to discharge quickly, a small input signal is caused by a different input time-constant due to a different AC ground and input capacitor. This small input signal would be amplified to the output resulting in an audible plop noise.

### 7.1 Start-up and shut down sequence

The capacitor on pin SVR is used for smooth start-up and shut-down which prevents the amplifier from producing switch-on or -off plop noise. Increasing the SVR capacitor value increases start-up and shut-down time.

If the amplifier is switched on in I<sup>2</sup>C-bus mode (IB1[D0] = 1) or in legacy mode ( $V_{STB} > 2.5$  V), the amplifier output voltage rises to 1.4 V below half the supply voltage and the output is muted. When the output reaches 1.4 V below half the supply voltage, the start-up mute is released if the I<sup>2</sup>C-bus was set to unmute ( $V_{STB} > 5.9$  V in legacy mode), or stays in mute if the bits are set to mute ( $2.5$  V <  $V_{STB}$  < 4.5 V in legacy mode).

To enable short start-up times, the 70 k $\Omega$  input resistor is reduced to 3 k $\Omega$  during start-up until just before the start-up mute release.

During start-up, the amplifier cannot distinguish between a short to ground or a speaker fault. If there is a speaker fault during start-up, the amplifier enters protection mode and switches off that channel.

If the amplifier starts and a speaker fault occurs, the amplifier only sets the speaker fault detection bits. A speaker fault is a double-fault condition where one side of the speaker is connected to ground or supply and the other side of the speaker is connected to an output. The other output of the channel is left open.

If the amplifier is switched off by I<sup>2</sup>C-bus (IB1[D0] = 0) the soft mute is activated and the capacitor on pin SVR is discharged. If the amplifier is switched off in legacy mode, pin STB must be set to mute for 50 ms to ensure a low switch-off plop and then pin STB can be set to ground which discharges the SVR capacitor.

If the amplifier is switched off by pulling pin STB LOW, the amplifier is muted (fast mute) and then the capacitor on pin SVR is discharged. This fast mute can be used in I<sup>2</sup>C-bus and legacy mode, when for instance an external engine start detection is used.

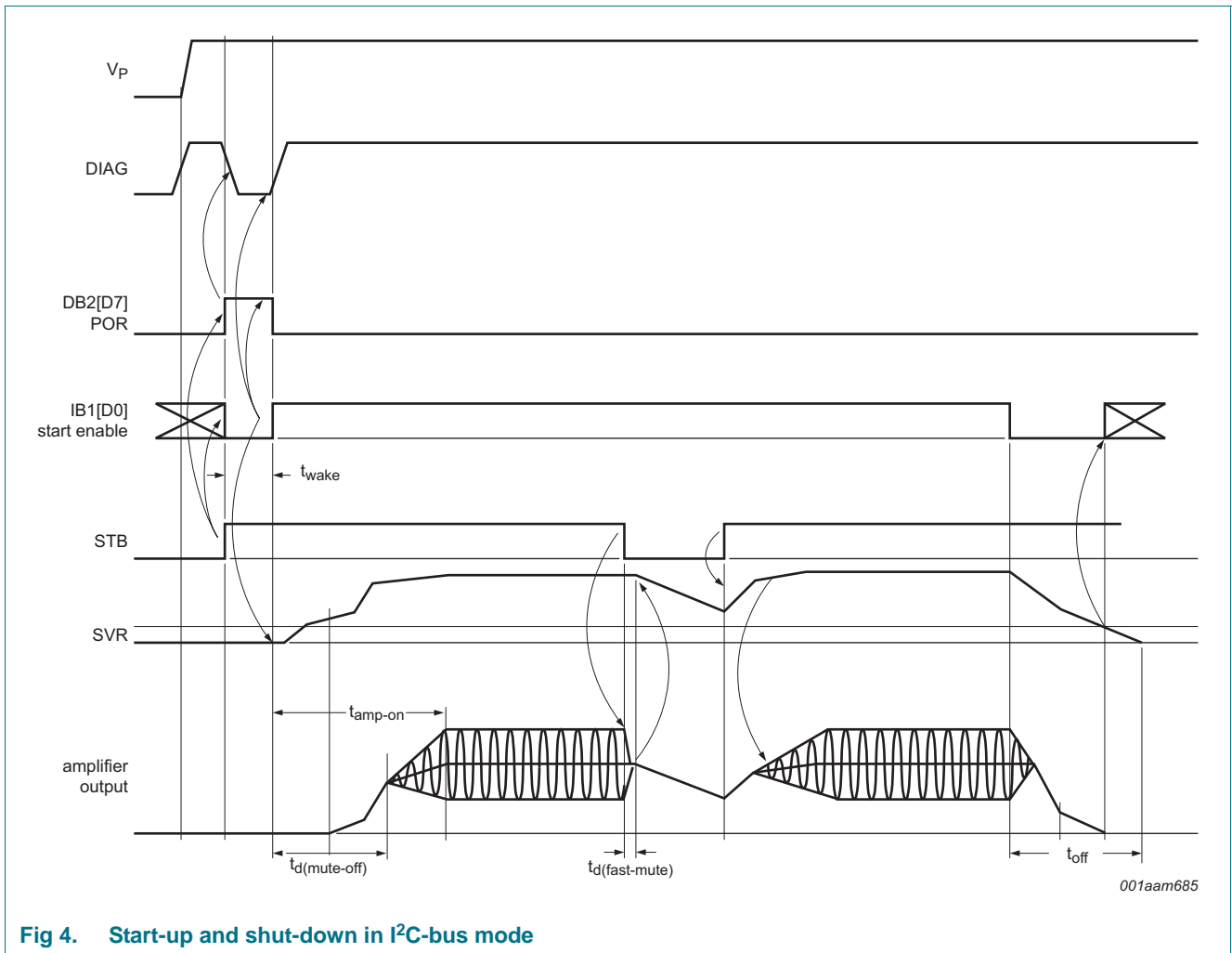


Fig 4. Start-up and shut-down in I<sup>2</sup>C-bus mode



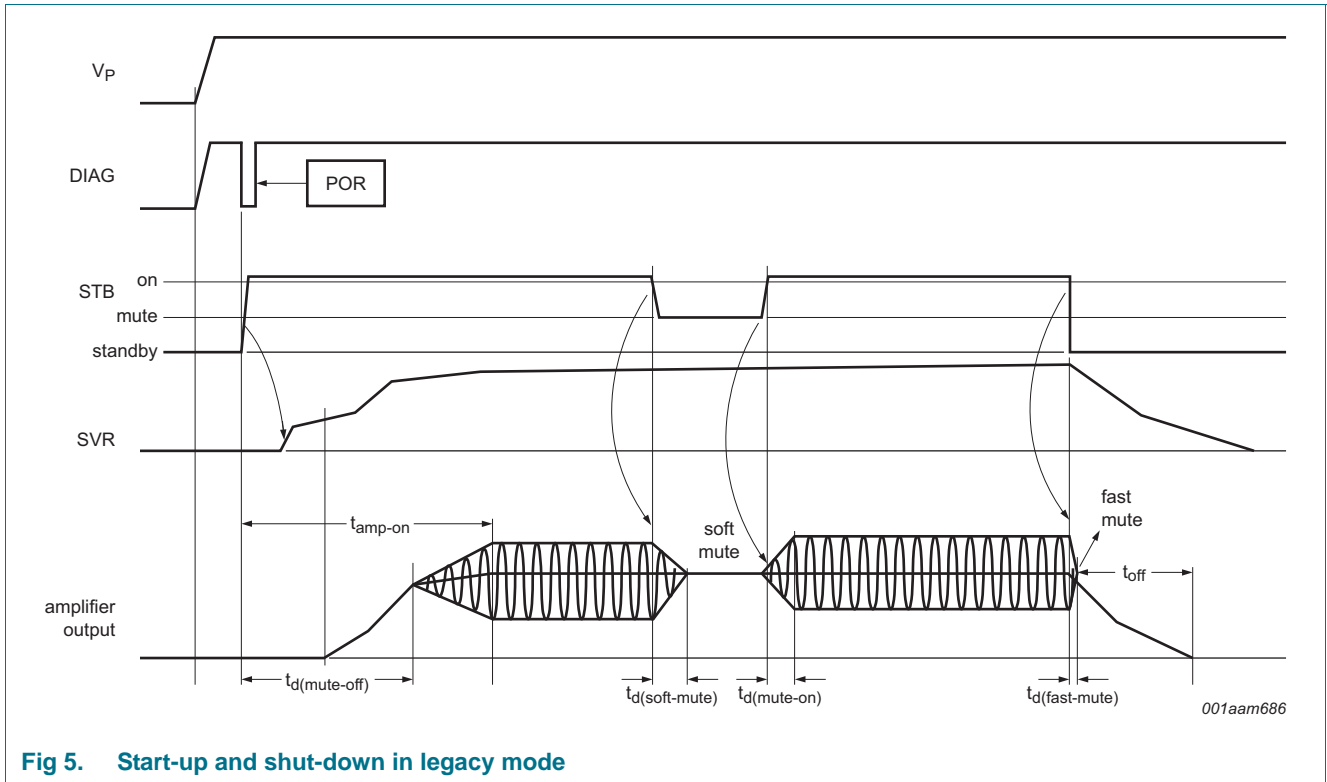


Fig 5. Start-up and shut-down in legacy mode

### 7.2 Engine start and low voltage operation

The voltage on pin SVR acts as a reference voltage for the input bias (set to  $0.23 \times$  battery voltage +  $2 \times$  diode voltage  $V_{be}$ ) and as a reference for generating the filtered half supply voltage at the amplifier output. The capacitor connected to pin SVR improves supply voltage ripple rejection and channel separation between the four channels.

The DC output voltage relates to the SVR voltage to prevent common mode ripple on the speaker lines. If the supply voltage drops during an engine start, the output follows slowly due to the SVR capacitor. To enable sufficient headroom for the output signal below a battery voltage of 10 V, the DC-output voltage directly follows the half supply voltage. This ensures that at low supply voltage the undistorted output power is maximized. If the battery voltage is above 10 V, the DC-output voltage relates to the SVR voltage and is filtered again for supply ripple; see [Figure 6](#).

The DC input voltage follows the supply voltage slowly, due to the SVR capacitor, to prevent audible plops, even during engine start.

If the battery voltage drops below 6 V, the low V<sub>P</sub> mute is activated. During low V<sub>P</sub> mute, the amplifier is fast muted (about 400 μs). When mute is completed, the capacitors on pin ACGND and pin SVR are discharged to prevent audible plops.

If the battery rises again above the low V<sub>P</sub> mute threshold (6 V), and a Power-On Reset (POR) (DB2[D7] = 1) is not detected, the amplifier starts automatically. The amplifier restart only occurs if the SVR capacitor has been discharged to 0.7 V to prevent a start-up plop. If the battery voltage has dropped too much that the internal registers lose their

information, a POR occurs and the amplifier will not restart automatically. In I<sup>2</sup>C-bus mode, pin DIAG is pulled LOW to indicate a POR has occurred. In legacy mode, the amplifier restarts if pin STB remains HIGH.

The device prevents amplifier plops during engine start. To prevent plops on the amplifier output caused by, for instance, a tuner regulator out of regulation, the voltage on pin STB can be made zero when an engine start is detected. Pin STB activates the fast mute, suppressing disturbances at the amplifier inputs.

The built-in low battery voltage mute is the default, and in legacy mode is set to 5.5 V, but can also be set to 7.2 V via the I<sup>2</sup>C-bus. If the low battery voltage mute is set to 7.2 V, the amplifier activates fast mute (400 μs) and enters the same cycle when the low V<sub>P</sub> mute was set to 5.5 V: discharge of the ACGND and SVR capacitors when the mute is completed and start-up when the supply voltage is above 8 V, when no POR has occurred.

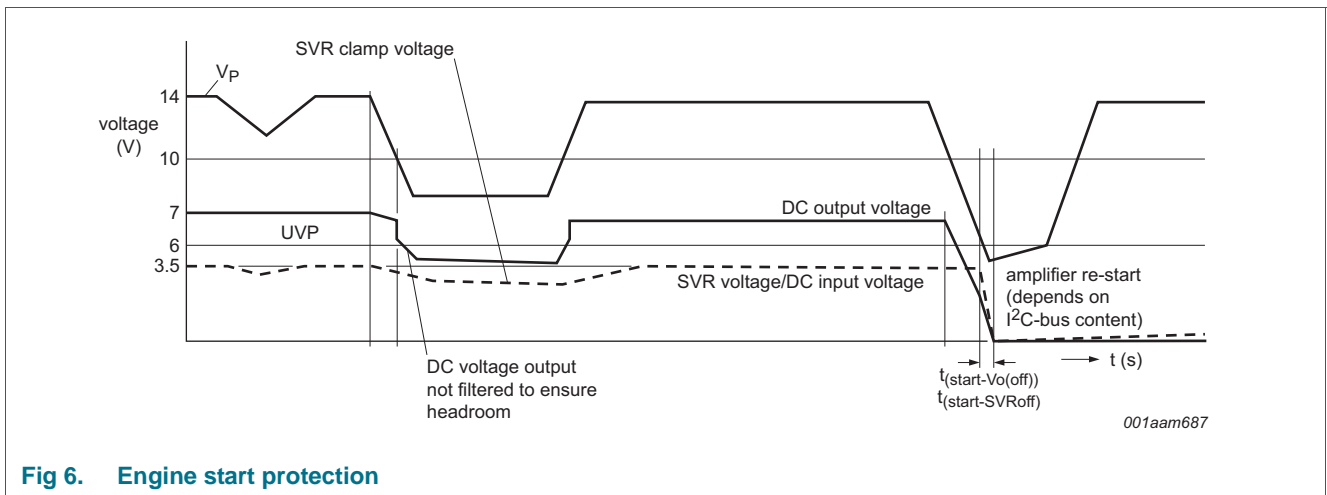


Fig 6. Engine start protection

### 7.3 Power-on reset and supply voltage spikes

If in I<sup>2</sup>C-bus mode the supply voltage drops below 4.5 V, the content of the I<sup>2</sup>C-bus latches cannot be guaranteed and POR is activated at a typical V<sub>P</sub> level of 3.1 V. All latches are reset, the amplifier is switched off and pin DIAG is pulled LOW to indicate that a POR has occurred; see DB2[D7]. If IB1[D0] is set, the power-on flag is reset, pin DIAG is released and the amplifier starts. In legacy mode a supply voltage drop below 6 V switches off the amplifier. When the supply voltage is above 6 V the amplifier restarts if pin STB is still enabled.

### 7.4 Protection

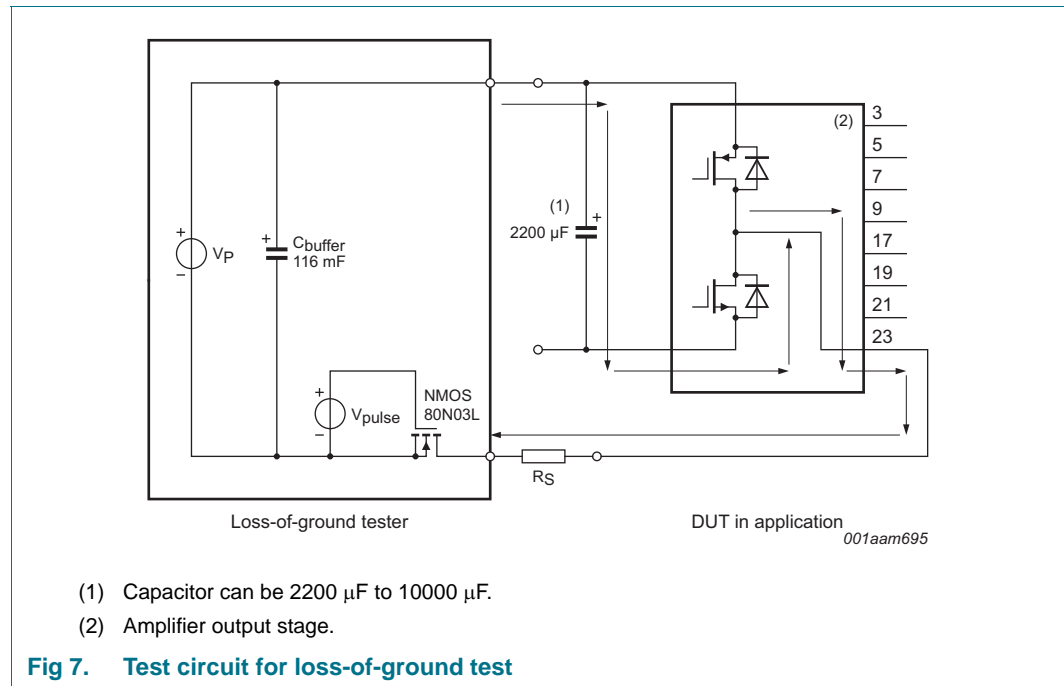
#### 7.4.1 Output protection and short-circuit protection

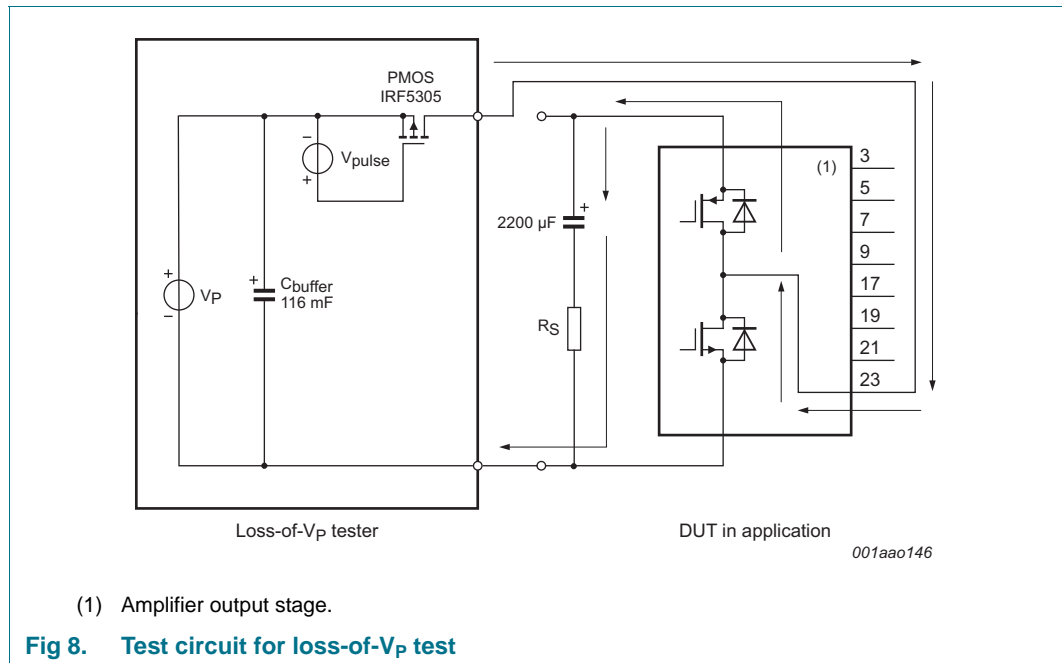
If a short-circuit to ground, to V<sub>P</sub> or across the load occurs on one or more amplifier outputs, only the channel with the short will be switched off. The channel that has a short-circuit and the type of short-circuit can be read via the I<sup>2</sup>C-bus. If pin DIAG is enabled for load fault information (IB2[D4] = 0) pin DIAG is pulled LOW. The window protection prevents a restart of the channel with a short to ground or V<sub>P</sub>. With a short across the load the channel is switched on again after 15 ms to check if the short across the load is still present. If the short-circuit conditions are still present, the channel is

switched off. If several channels have a short across the load at the same time, the channels are switched on one by one to prevent high supply current switching with four shorts across the load at the same time. The 15 ms cycle reduces power dissipation. To prevent audible distortion, the channel with the short can be disabled via the I<sup>2</sup>C-bus.

**7.4.2 Loss-of-ground/loss of V<sub>P</sub>**

Loss-of-ground/loss of V<sub>P</sub> is a double fault condition: the ground (or V<sub>P</sub>) wire of the set is not connected and the ground (or V<sub>P</sub>) wire is connected to one of the loudspeaker outputs. In this situation the supply capacitor in the set is charged through the body diode of the output power transistor. This body diode (between the drain and source of the power transistor) is always present in amplifiers with MOS output stages. The capacitor charge current depends on the series impedance of the supply lines, the output impedance of the loss-of-ground tester and the value of the capacitor; see Figure 7. To simulate a worst-case condition, the loss-of-ground tester is equipped with a buffer capacitor of 116 mF to simulate a very low output impedance. With a R<sub>S</sub> of 63 mΩ, peak currents of more than 70 A have been measured.





### 7.4.3 Speaker fault detection

There are two protection features available to prevent damage to the speaker if one side of the speaker is connected to ground.

- A check for a speaker fault operates during start-up. This is included in the check for a short to ground; the channel that has the speaker fault is switched off. If the short to ground bit is set, it can mean either a short to ground or a speaker fault. At start-up it is difficult to distinguish between a speaker fault and a short to ground. The amplifier is protected against both, but the speaker fault bit is not always set.
- A check for a speaker fault operates continuously. If a speaker fault is detected, bit D6 in registers DB1 to DB4 are set but the amplifier is not switched off and pin DIAG is not pulled LOW.

### 7.4.4 Overvoltage warning and load dump protection

If the battery voltage  $V_P$  exceeds the maximum value of  $V_{th(ovp)}$ , the device switches off the output stages of the amplifier to protect the output transistors. The overvoltage pre-warning bit is set when the supply voltage level exceeds the value of  $V_{P(ovp)pwarn}$ .

The functionality of the diagnostic output can be chosen in I<sup>2</sup>C-bus mode. In this mode the pre-warning information can become visible at the diagnostic output. In legacy mode, pin DIAG will not be activated under pre-warning conditions.

Although the amplifier switches off the output stages, the device remains operational during load dump conditions (maximum value of  $V_P$  at load dump protection; duration 50 ms, rise time > 2.5 ms). The occurrence of the load dump situation can last for a longer period of time without damaging the device. Provided that the I<sup>2</sup>C-bus supply is within the levels specified, communication with the I<sup>2</sup>C-bus during load dump situations remains possible and the status of the channel outputs can be read.

**7.4.5 Thermal pre-warning and thermal protection**

If the average junction temperature reaches one of the adjustable levels set via the I<sup>2</sup>C-bus, selected with IB3[D4], pre-warning is activated resulting in pin DIAG LOW (if selected) and can be read via the I<sup>2</sup>C-bus. The default setting for the thermal pre-warning is IB3[D4] = 0 setting the warning level at T<sub>j(AV)(pwarn)</sub> = 160 °C. In legacy mode the thermal pre-warning is also set at T<sub>j(AV)(pwarn)</sub> = 160 °C.

If the temperature increases further, the temperature-controlled gain reduction is activated for all four channels to reduce the output power; see Figure 9. If this does not reduce the average junction temperature, all four channels are switched off at the absolute maximum temperature T<sub>off</sub>.

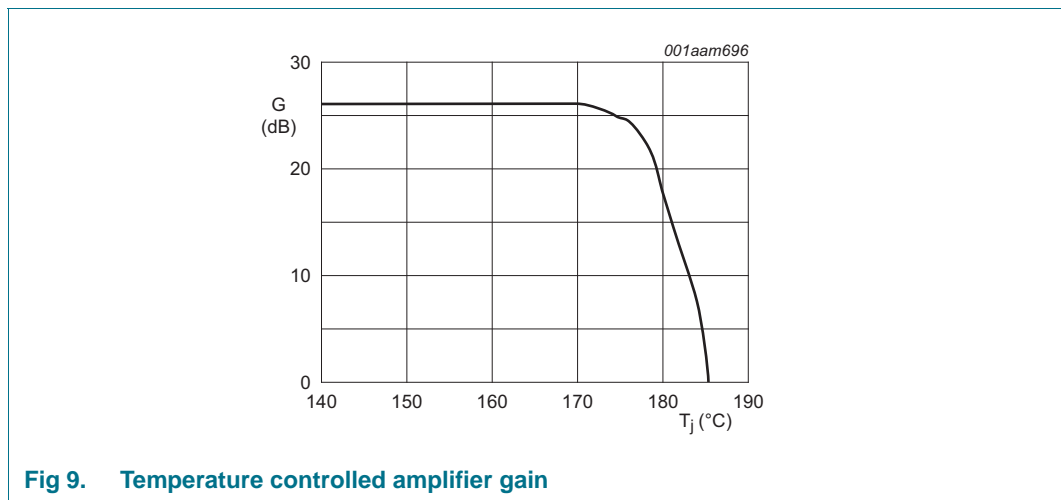


Fig 9. Temperature controlled amplifier gain

**7.5 Diagnostics**

Diagnostic information can be read via the I<sup>2</sup>C-bus, but can also be made available at pin DIAG or pin STB. Pin DIAG indicates information such as POR occurred, low battery, and high battery; the output load fault information is selectable via the I<sup>2</sup>C-bus. This information is seen at pin DIAG as a logical OR. In case of a failure, pin DIAG remains LOW and the microcontroller can read the failure information via the I<sup>2</sup>C-bus; pin DIAG can be used as a microcontroller interrupt to minimize I<sup>2</sup>C-bus traffic. When the failure is removed, pin DIAG is released.

To enable full control over the clipping information, pin STB can be programmed as a second-clip detection pin. The clip detection level can be selected for all channels at once. The clip information can be selected to be available separately at pin DIAG or at pin STB for each channel. It is possible, for instance, to distinguish between clipping of the front and the rear channels.

The diagnostic information available at either of the two diagnostic pins DIAG and STB is shown in Table 4.

Table 4. Diagnostic information on pins DIAG and STB

Diagnostic information	I <sup>2</sup> C-bus mode		Legacy mode
	DIAG pin	STB pin	DIAG pin
Power-On Reset (POR)	after POR, pin DIAG remains LOW until amplifier starts (inverse of start-up bit)	no	no
Low battery	yes	no	yes
Clip detection	can be enabled per channel; can be enabled by IB1[D7] if below $V_P = 10$ V; default is 'blocked'	can be enabled per channel; can be enabled by IB1[D7] if below $V_P = 10$ V; default is 'blocked'	yes; fixed level for all channels at 2 %; blocked for $V_P < 10$ V
Temperature pre-warning	can be enabled; default: $T_{j(AV)(pwarn)} = 160$ °C	no	yes, pre-warning level is $T_{j(AV)(pwarn)} = 160$ °C
Short	can be enabled; default is enabled	no	yes
Speaker fault detection	no	no	no
Offset detection	no	no	no
Load detection	no	no	no
Oversvoltage protection (20 V)	yes	no	yes
Oversvoltage pre-warning (16 V)	can be enabled; default is disabled	no	no
Maximum temperature protection (active)	yes	no	yes
Start-up diagnostics indication	no	no	no

### 7.5.1 Start-up diagnostics with DC load detection

If the start-up diagnostics are enabled, the load condition of all four channels is determined. At the end of the start-up diagnostics cycle, not only the load condition is known (shorted load, normal load or open load), but also if a separate amplifier is connected or if the outputs are shorted to battery or ground. If a separate amplifier (booster) is detected, the amplifier can start-up in line driver mode (low gain setting).

The load diagnostic is insensitive to door-slam (slowly moving speaker due to slamming of the car door) and to external interference such as crosstalk of relays switching in the wiring harness; see [Figure 10](#).

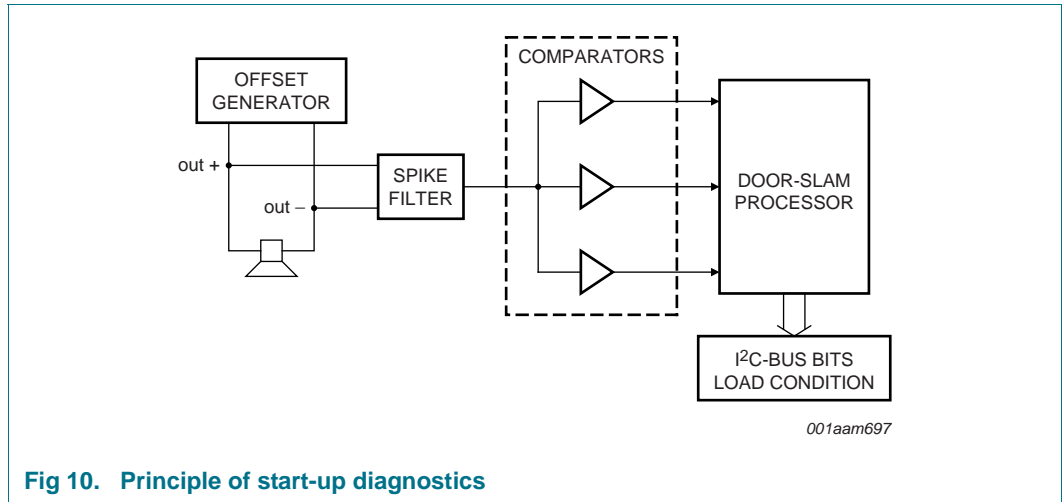


Fig 10. Principle of start-up diagnostics

The load detection values are shown in Figure 11.

	SHORTED		NORMAL		LINE DRIVER		OPEN
high gain	0.5 Ω	1.5 Ω	20 Ω	80 Ω	200 Ω	400 Ω	
low gain	1.5 Ω	3.2 Ω	20 Ω	80 Ω	200 Ω	400 Ω	

001aaam698

Fig 11. Start-up diagnostics load detection levels

If only 4 Ω speakers are connected, the low gain mode can be selected during the start-up diagnostics. A shorted load is indicated until an impedance of 1.5 Ω is reached. Even 'soft' shorts in the wiring harness will be detected.

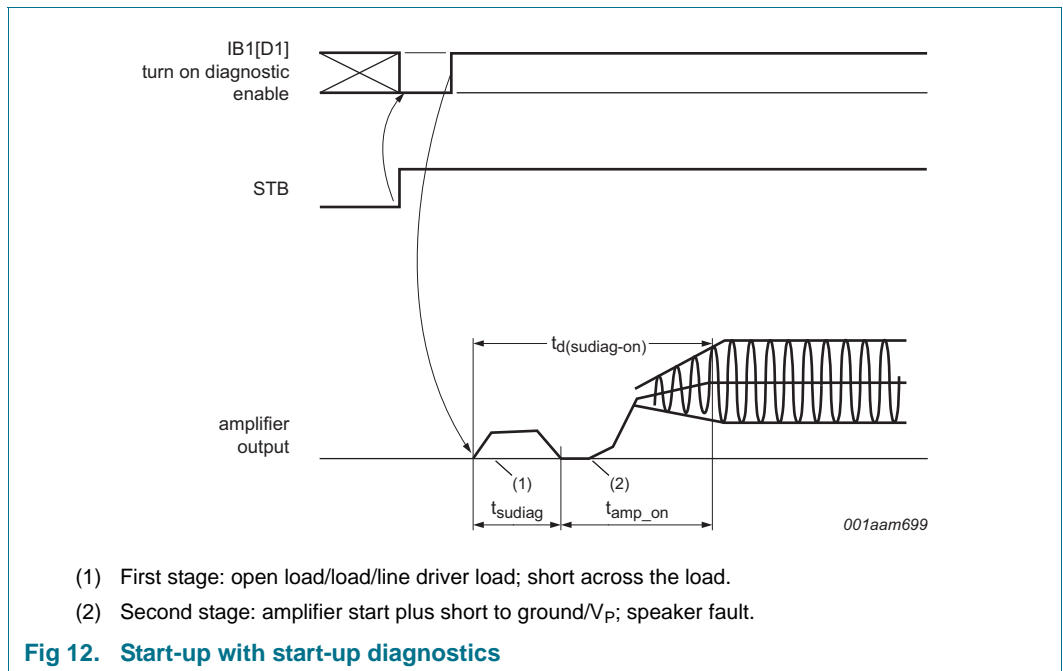


Fig 12. Start-up with start-up diagnostics

In the first stage an offset is generated across the load. To avoid switch-on plop-noise the offset is increased after 15 ms. The measurement cycle lasts for  $t_{\text{sudiag}}$ . After 15 ms the offset across the load is reduced. The offset is generated with resistors instead of the amplifier to avoid plop-noise during engine start. If the offset is removed quickly, audible plop can occur during periods without audio.

If the voltage of the outputs is more than 3.5 V during the first stage, the start-up diagnostic is switched off to avoid damage to the amplifier. This can happen with a door slam or with a short to  $V_P$ . If a short to  $V_P$  is applied, the shorted channel will report not valid after the first stage. If only 1 or 2 channels report not valid after the first stage, a short to  $V_P$  of those channels can be assumed. If all 4 channels report not valid, under- over - voltage, a start-up diagnostic cycle can be assumed.

The start-up diagnostics has a built-in spike filter to remove disturbances caused by switching relays in the wiring harness or EMC. The door-slam processor filters out disturbances caused when the car door closes: car door-slam can cause the speakers to move slowly which disturbs the measurement. With these filter techniques, reliable load detection is performed in a single start-up diagnostics cycle.

The start-up diagnostics can be repeated. Only the first stage, where the speaker load is determined, is sensitive to disturbance and needs to be repeated. When the start-up diagnostics start, the invalid bit is set, and “start-up diag busy bit” (TDF8541 bit DB5[D5]) indicates that the start-up diagnostics are not completed. When the start-up is completed, or interrupted by a POR, the “start-up diag busy bit” is reset.

There are two possible situations:

- the start-up diagnostics are enabled ( $IB1[D1] = 1$ ) and the amplifier start is not enabled ( $IB1[D0] = 0$ ), bit “start-up diag busy bit” is reset when the start-up diagnostics are completed, and the I<sup>2</sup>C-bus data bits are set. Toggling the start-up diagnostics bit re-starts the start-up diagnostic. The invalid bits are set and bit “start-up diag busy bit” indicates that the start-up diagnostics are not completed.
- the start-up diagnostics are enabled ( $IB1[D1] = 1$ ) and the amplifier start is enabled ( $IB1[D0] = 1$ ). After the first start-up diagnostic cycle has finished, the amplifier starts and when start-up is completed, just before the start-up mute release (DC output voltage is 1.4 V below midtap voltage), bit “start-up diag busy bit” indicates that the startup diagnostic is completed. It is not necessary to toggle the start-up diagnostics and has no purpose.

The first and second stages of the start-up diagnostics can be repeated:

Start-up with the start-up diagnostics ( $IB1[D1] = 1$  and the amplifier start enabled ( $IB1[D0] = 1$ ). Wait until  $DB5[D5] = 0$  which indicates that the start-up diagnostics cycle is completed. Read the start-up diagnostics information. Shut down the amplifier by making the start-up bit logic 0. When  $DB5[D0] = 0$ , the amplifier is completely shut down and a new start-up cycle can be programmed.



Table 5. Start-up diagnostics I<sup>2</sup>C-bus bits

DC load bits <sup>[1]</sup>		Meaning
DBx[D5]	DBx[D4]	
0	0	normal load
0	1	line driver mode
1	0	open load
1	1	invalid: overvoltage or undervoltage ( $V_P < 10\text{ V}$ ) has occurred, or start-up diagnostics not completed, or channel has short to $V_P$ ; indicated in second stage

[1] DBx[D3] indicates a shorted load; DBx[D1] indicates a short to  $V_P$ ; DBx[D0] indicates a short to ground. When set, D4, D5 have no meaning.

If during the start-up diagnostics an engine start occurs, the generated offset to measure the DC load is reduced and the start-up diagnostics cannot be performed correctly. In this case the invalid combination DBx[D4:D5] = 11 is set.

The start-up diagnostics information in the I<sup>2</sup>C-bus bits is combined with the AC load detection allowing the start-up diagnostics information to be read when IB4[D4] = 0. If IB4[D4] = 1, the stored start-up diagnostics information bits cannot be read but they will not lose their value.

**Remark:** the shorted load, and short to  $V_P$  or ground information from the start-up diagnostics is cleared after an I<sup>2</sup>C-bus read. This indicates the real situation: when the short is removed, the bits are cleared. The DBx[D5] and DBx[D4] information, generated at start-up, is refreshed after a new start-up diagnostics cycle.

### 7.5.2 DC offset detection

The offset detection can be performed with no input signal (for instance when the DSP is muted after a start-up) or with an input signal. If in I<sup>2</sup>C-bus mode an I<sup>2</sup>C-bus read of the output offset is performed, the I<sup>2</sup>C-bus DBx[D2] latches are set. If the amplifier BTL output voltage is within a window with a threshold of 1.3 V (typical), the DBx[D2] latches are reset and their setting is disabled. If for example, after 1 s another I<sup>2</sup>C-bus read is performed and the offset bits are still set, the output did not cross the offset threshold during the last 1 second; see [Figure 13](#). This can mean either a frequency below 1 Hz was applied (1 s I<sup>2</sup>C-bus read interval) or an output offset of more than 1.3 V is present.

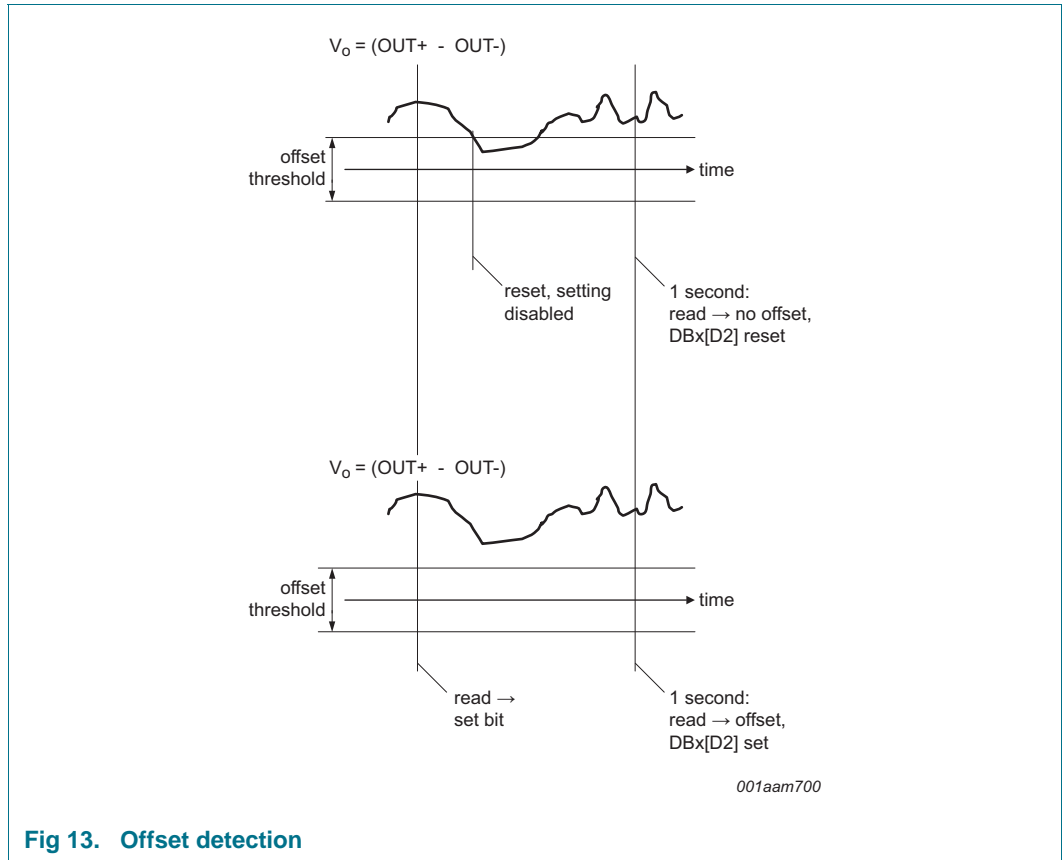


Fig 13. Offset detection

### 7.5.3 AC load detection

The AC load detection, set with IB1[D2] = 1, is used to detect if AC-coupled speakers such as tweeters are connected correctly. The detection requires a 19 kHz sine wave to be applied to the inputs of the amplifier. A high current AC-load detection mode can be selected, for example during car assembly, or a low current AC-load detection mode, for example during switch on of car radio. The output voltage over the load impedance generates an amplifier current. If the amplifier peak current triggers 4 times a 500 mA (peak) threshold (or 275 mA (peak) in low current mode), the AC-load detection bit is set. The 4 'threshold cross' counter is used to prevent false AC-load detection caused by switching the input signal on or off.

An AC-coupled speaker reduces the impedance at the output of the amplifier in a certain frequency band. The presence of an AC-coupled speaker can be determined using a high current mode (IB4[D1] = 1, see [Figure 14](#)) or using a low current detection mode (IB4[D1] = 0; see [Figure 14](#)).

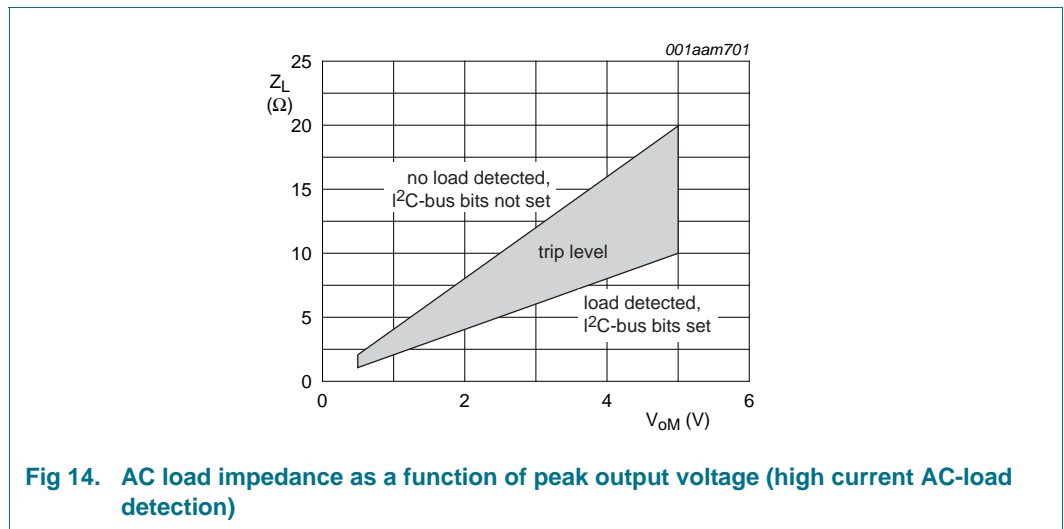
If, for instance, a 19 kHz input signal is generated with a peak output voltage of 2 V the I<sup>2</sup>C-bus bits are guaranteed to be set with a total AC + DC load less than 4 Ω and are guaranteed not set with a load of more than 9 Ω; see [Figure 14](#).

The interpretation of the line driver and amplifier mode DC load bit for AC load detection is shown in [Table 6](#).

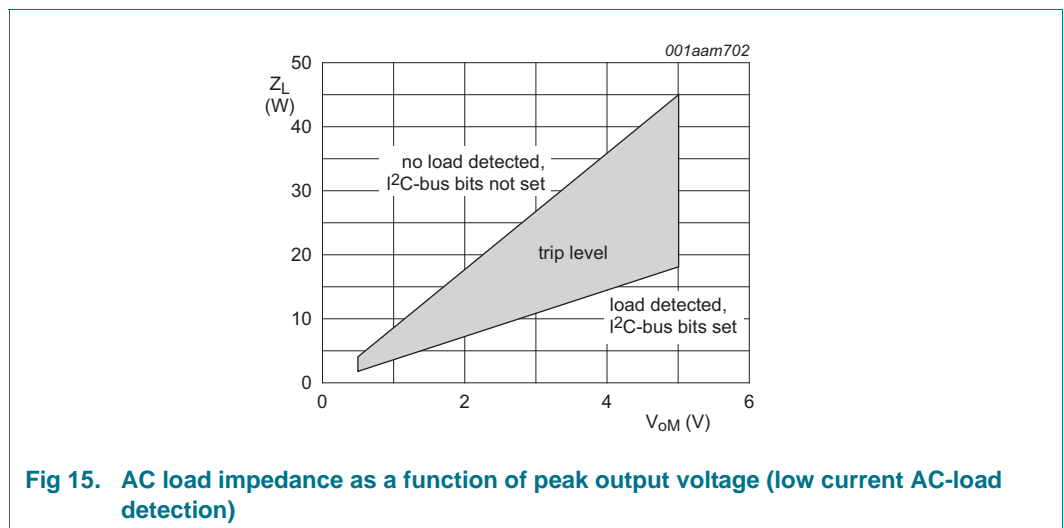
**Table 6. AC load detection**

IB4[D4] = 1	DB1 to 4 [D4] (AC load bit)
No AC load detected	0
AC load detected	1

If IB1[D2] = 1 the AC-load detection measurement cycle is enabled, the peak counter is reset and the measuring cycle starts. The AC-load detection is only performed after the amplifier has completed its start-up cycle. Since the AC-load information in the I<sup>2</sup>C-bus bits is combined with the start-up diagnostics, the AC-load information can be read when IB4[D4] = 1. If IB4[D4] = 0, the stored AC-load bits cannot be read, but their values are preserved.



**Fig 14. AC load impedance as a function of peak output voltage (high current AC-load detection)**



**Fig 15. AC load impedance as a function of peak output voltage (low current AC-load detection)**

**7.5.4 Distortion clip detection**

If the amplifier output starts clipping at the supply voltage or ground, the output signal becomes distorted. If the distortion per channel exceeds a selectable threshold (2 %, 5 % or 10 %), either pin DIAG or pin STB is activated. To be able to detect if, for instance, the front channels (channels 1 and 3) or rear channels (channels 2 and 4) are clipping, the clip information per channel can be directed to either pin DIAG or pin STB.

It is possible to only have the clip information on the diagnostic pins by disabling the temperature- and load information on pin DIAG. The temperature and load protection are still functional but can only be read via the I<sup>2</sup>C-bus.

The clip detection level can be programmed via the I<sup>2</sup>C-bus. The clip information is blocked below a supply voltage of 10 V to avoid false clip detection during engine start, or can be programmed to operate at the low voltage detection level of 7.5 V or 6 V.

Since it is possible to have different amplifier gain settings between the front and rear channels and there is only one clip reference current, the clip detect levels are only accurate for the channels with the highest gain. In line driver mode the DC-output voltage is 0.23V<sub>P</sub> and clip detection will still indicate a clip, but the levels will not be accurate.

**7.6 Line driver mode and low gain mode**

The TDF8541 can be used as a line driver or as a low gain amplifier. In both situations, the gain needs to be set to 16 dB via the I<sup>2</sup>C-bus (IB3[D5:D6]) and can be independently set for the front (channels 1 and 3) and rear (channels 2 and 4). The main difference between line driver mode and low gain mode is the DC output voltage.

In line driver mode the TDF8541 is used to drive a separate amplifier or booster. In this mode the DC output voltage is set to 0.23 × battery voltage and is filtered with the capacitor connected to pin SVR (same as V<sub>SVR</sub>). The reason not to set the DC output voltage to half the battery voltage is to allow engine starts at a battery voltage as low as 6 V. The DC output voltage remains approximately 3 V during engine start. If the DC output voltage is set to half the battery voltage, with an engine start the common mode voltage will change quickly from 7 V to 3 V. This drives the input stage of the booster below the ground level.

If the TDF8541 is used as a low gain amplifier in a booster, the DC output voltage is set to half of the supply voltage to ensure maximum undistorted output power.

The line driver and low gain modes can be selected with I<sup>2</sup>C-bus bit IB4[D2].

**Table 7. DC output voltage as a function of different gain settings**

Channels 1 and 3 gain setting (dB)	Channels 2 and 4 gain setting (dB)	Line driver/low gain mode IB4[D2] <sup>[1]</sup>	All channels DC output voltage (V)
26	26	X	0.5V <sub>P</sub>
16	26	X	0.5V <sub>P</sub>
26	16	X	0.5V <sub>P</sub>
16	16	low gain mode	0.5V <sub>P</sub>
16	16	line driver mode	0.23V <sub>P</sub>

[1] X = neither mode selected.

## 7.7 I<sup>2</sup>C-bus, legacy mode and address select pin

Pin ADSEL can select either of two amplifier modes: legacy mode or I<sup>2</sup>C-bus mode.

### 7.7.1 Address select (pin ADSEL)

The following amplifier functions are selected with pin ADSEL:

- Pin ADSEL shorted: ( $R_{ADSEL} < 470 \Omega$ ) legacy mode, no I<sup>2</sup>C-bus communication is needed.
- Resistor connected between pin ADSEL and ground: where different I<sup>2</sup>C-bus addresses can be selected with resistors.
- One I<sup>2</sup>C-bus address can be selected by either forcing a voltage on pin ADSEL or by connecting a high ohmic resistor between pin ADSEL and  $V_P$ .

To avoid address changes during low supply voltage, the address selected by the value of resistor connected to pin ADSEL is latched at voltages below 6 V. The consequence is, during start-up and after every power-on reset, the supply voltage must be above 6 V otherwise the address is invalid.

### 7.7.2 Legacy mode ( $R_{ADSEL} < 470 \Omega$ )

The function of pin STB changes from off/operating to off/mute/operating and the amplifier starts immediately when pin STB is put into mute or operating mode. Mute operating is controlled via an internal timer (15 ms) to minimise mute-on plops. When pin STB is switched directly from operating to off, first the hard mute is activated (switching to mute within 400  $\mu$ s) and then the amplifier shuts down. To have a plop-free shut-down, first pin STB should be switched to mute for 50 ms and then switched off.

### 7.7.3 I<sup>2</sup>C-bus mode

If pin STB is LOW, the total quiescent current is low, and the I<sup>2</sup>C-bus lines are not loaded. When pin STB is switched HIGH, the TDF8541 enters operating mode and performs a POR which makes pin DIAG LOW. The TDF8541 starts when  $IB1[D0] = 1$ . Bit D0 also resets the 'power on reset occurred' bit (DB2[D7]) and releases pin DIAG.

Soft mute and hard mute can be activated via the I<sup>2</sup>C-bus. Soft mute can be activated independently for the front (channels 1 and 3) and rear (channels 2 and 4), and mutes the audio in 15 ms. Hard mute activates the mute for all channels at the same time and mutes the audio in 400  $\mu$ s. Unmuting after a hard mute will be a soft unmute of approximately 15 ms. When pin STB is switched to Off mode, and the amplifier has started, first the hard mute is activated and then the amplifier shuts down. It is possible to fully mute the amplifiers within 400  $\mu$ s by making pin STB LOW, for example during an engine start.

### 7.7.4 I<sup>2</sup>C-bus diagnostic bits read-out/cleared after read

The amplifier's diagnostic information can be read via the I<sup>2</sup>C-bus. The I<sup>2</sup>C-bus bits are set if a failure occurs and are reset by the I<sup>2</sup>C-bus read command (cleared after read). When the failure is removed, the microcontroller knows the cause of the failure by reading the I<sup>2</sup>C-bus. The consequence of this procedure is that old information is read during the I<sup>2</sup>C-bus read. Most real information will be gathered within two consecutive read commands.

Cleared after read means that the I<sup>2</sup>C-bus bits are cleared after a read command. The Clear command is done only if all five data bytes are read. If only four data bytes are read, the I<sup>2</sup>C-bus latches are not cleared and the old value remains in the latches.

When selected, pin DIAG gives actual diagnostic information. If a failure is removed, pin DIAG is released instantly, independently of the I<sup>2</sup>C-bus latches.

### 7.8 Amplifier combined with a DC-to-DC converter

The TDF8541 can be used in combination with a DC-DC up-converter as the supply for the amplifier (connected to V<sub>P</sub>). If the DC-DC converter output voltage is controlled with the audio signal, the amplifier’s dissipation can be reduced at lower output powers. To ensure that the amplifier can follow supply voltage variations, the supply voltage ripple capacitor connected to pin SVR, to filter the amplifier’s common mode output voltage, must be disconnected internally. The SVR capacitor is still used to determine the DC input voltage. If I<sup>2</sup>C-bus bit IB4[D7] = 1, the common mode output voltage directly follows the supply voltage variations.

## 8. I<sup>2</sup>C-bus specification

Table 8. TDF8541 hardware address select

Pin ADSEL	A6	A5	A4	A3	A2	A1	A0	R/W	Hex	Remark	
Open	1	1	0	1	1	0	0	0 = write to TDF8541; 1 = read from TDF8541	D8	reserved; instruction and data bytes have other meaning	
100 kΩ ± 1 %						1	0		DC	-	
30 kΩ ± 1 %						1	1		DE	-	
10 kΩ ± 1 %					0	1	0		D4	-	
Voltage > 4 V					1	0	1		DA	-	
Ground	no I <sup>2</sup> C-bus; legacy mode										-

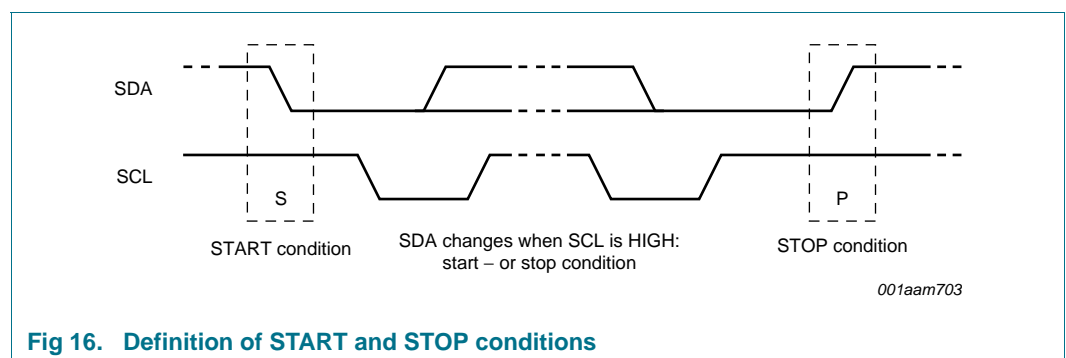
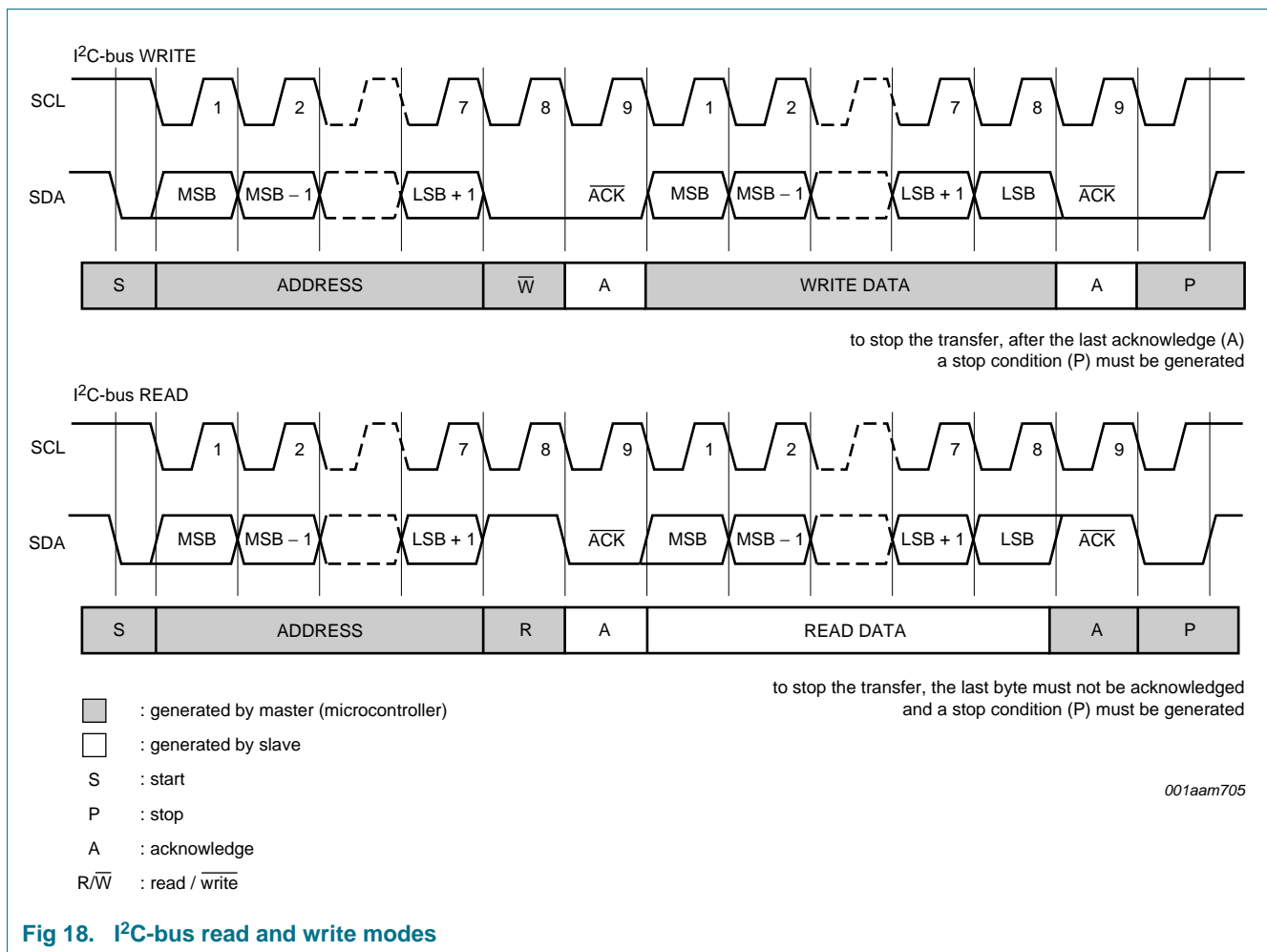
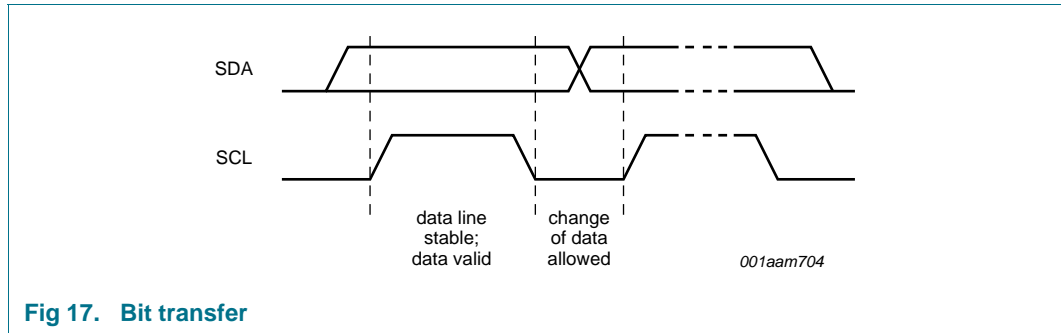


Fig 16. Definition of START and STOP conditions



### 8.1 I<sup>2</sup>C-bus instruction bytes

I<sup>2</sup>C-bus mode:

- If R/W bit = 0, the TDF8541 expects four instruction bytes; IB1, IB2, IB3, IB4
- After a power-on reset, all instruction bits are set to zero

Legacy mode:

- All bits equal to zero define the setting, with the exception of bit IB1[D0] which is ignored; see [Table 9](#).

**Table 9. Instruction byte IB1**

Bit	Description
D7	enable or disable clip detection below $V_P = 10\text{ V}$ 0 = disable clip detection below $V_P = 10\text{ V}$ 1 = enable clip detection below $V_P = 10\text{ V}$
D6	channel 3 clip information on pin DIAG or pin STB 0 = clip information on pin DIAG 1 = clip information on pin STB
D5	channel 1 clip information on pin DIAG or pin STB 0 = clip information on pin DIAG 1 = clip information on pin STB
D4	channel 4 clip information on pin DIAG or pin STB 0 = clip information on pin DIAG 1 = clip information on pin STB
D3	channel 2 clip information on pin DIAG or pin STB 0 = clip information on pin DIAG 1 = clip information on pin STB
D2	enable or disable AC load detection 0 = AC load detection disabled 1 = AC load detection enabled
D1	enable or disable start-up diagnostics 0 = start-up diagnostics disabled 1 = start-up diagnostics enabled
D0	enable or disable amplifier start 0 = amplifier start not enabled 1 = amplifier start enabled

**Table 10. Instruction byte IB2**

Bit	Description
D7 and D6	clip detection level 00 = clip detection level 2 % 01 = clip detection level 5 % 10 = clip detection level 10 % 11 = clip detection level disabled
D5	temperature information on pin DIAG 0 = temperature information on pin DIAG 1 = no temperature information on pin DIAG
D4	load fault information (shorts) on pin DIAG 0 = load fault information on pin DIAG 1 = no load fault information on pin DIAG
D3	-



Table 10. Instruction byte IB2 ...continued

Bit	Description
D2	soft mute channel 1 and channel 3 0 = soft mute disabled 1 = soft mute enabled (mute delay 15 ms)
D1	soft mute channel 2 and channel 4 0 = soft mute disabled 1 = soft mute enabled (mute delay 15 ms)
D0	fast mute all amplifier channels 0 = fast mute disabled 1 = fast mute enabled

Table 11. Instruction byte IB3

Bit	Description
D7	-
D6	amplifier channel 1 and channel 3 gain select 0 = 26 dB 1 = 16 dB
D5	amplifier channel 2 and channel 4 gain select 0 = 26 dB 1 = 16 dB
D4	temperature pre-warning level 0 = warning level at $T_{j(AV)(pwarn)} = 160\text{ °C}$ 1 = warning level at $T_{j(AV)(pwarn)} = 135\text{ °C}$
D3	enable or disable channel 3 0 = channel 3 enabled 1 = channel 3 disabled
D2	enable or disable channel 1 0 = channel 1 enabled 1 = channel 1 disabled
D1	enable or disable channel 4 0 = channel 4 enabled 1 = channel 4 disabled
D0	enable or disable channel 2 0 = channel 2 enabled 1 = channel 2 disabled

Table 12. Instruction byte IB4

Bit	Description
D7	common-mode voltage filtered by SVR capacitor 0 = filter common-mode voltage 1 = DC-to-DC converter connected (SVR capacitor not used to filter common-mode voltage)

Table 12. Instruction byte IB4 ...continued

Bit	Description
D6	soft or fast mute select during shut-down via pin STB 0 = activate fast mute during shut-down 1 = activate slow mute during shut-down
D5	16 V overvoltage warning on pin DIAG 0 = 16 V overvoltage warning on pin DIAG disabled 1 = 16 V overvoltage warning on pin DIAG enabled
D4	AC or DC load information on bits DBx[D5:D4] 0 = DC load information on bits DBx[D5:D4] 1 = AC load information on bits DBx[D5:D4]
D3	-
D2	line driver mode or low gain mode selection 0 = line driver mode; common-mode output voltage is $0.23 \times V_P$ 1 = low gain mode; common-mode output voltage is $0.5 \times V_P$ ; only valid for channels when gain is set to 16 dB
D1	AC load detection measurement current selection 0 = AC load detection; low measurement current 1 = AC load detection; high measurement current
D0	low $V_P$ mute undervoltage level setting 0 = low $V_P$ mute undervoltage level set to 5.5 V 1 = low $V_P$ mute undervoltage level set to 7.2 V

## 8.2 I<sup>2</sup>C-bus data bytes

I<sup>2</sup>C-bus mode:

- If  $R/\overline{W} = 1$ , the TDF8541 sends data bytes to the microprocessor
- All bits are reset after a read operation except DBx[D4] and DBx[D5] in DB1 to DB4. Bit DBx[D2] in DB1 to DB4 is set after a read operation; see [Section 7.5.1](#) and [Section 7.5.2](#).
- For explanation of AC and DC load detection bits, see [Section 7.5.3](#)

**Table 13. Data byte DB1**

Bit	Description
D7	temperature pre-warning 0 = no temperature pre-warning 1 = temperature pre-warning has occurred
D6	speaker fault channel 2 0 = no speaker fault, channel 2 1 = speaker fault, channel 2
D5 and D4	channel 2 DC-load or AC-load detection if bit IB4[D4] = 1, AC-load detection is enabled, bit D5 does not care, bit D4 has the following meaning: 0 = no AC-load 1 = AC-load detected if bit IB4[D4] = 0, AC-load detection is disabled, bits D5 and D4 are available for DC-load detection 00 = normal load 01 = line driver load 10 = open load 11 = not valid
D3	channel 2 shorted load 0 = no shorted load 1 = shorted load
D2	channel 2 output offset 0 = no output offset 1 = output offset
D1	channel 2 short to V <sub>P</sub> 0 = no short to V <sub>P</sub> 1 = short to V <sub>P</sub>
D0	channel 2 short to ground 0 = no short to ground 1 = short to ground

**Remark:** Data bits are only reset (cleared after read) after reading 5 data bytes.

Table 14. Data byte DB2

Bit	Description
D7	POR and amplifier status 0 = POR disabled; amplifier enabled 1 = POR has occurred; amplifier disabled
D6	speaker fault channel 4 0 = no speaker fault 1 = speaker fault, channel 4
D5 and D4	channel 4 DC-load or AC-load detection if bit IB4[D4] = 1, AC-load detection is enabled, bit D5 does not care, bit D4 has the following meaning: 0 = no AC-load 1 = AC-load detected if bit IB4[D4] = 0, AC-load detection is disabled, bits D5 and D4 are available for DC-load detection 00 = normal load 01 = line driver load 10 = open load 11 = not valid
D3	channel 4 shorted load 0 = no shorted load 1 = shorted load
D2	channel 4 output offset 0 = no output offset 1 = output offset
D1	channel 4 short to V <sub>P</sub> 0 = no short to V <sub>P</sub> 1 = short to V <sub>P</sub>
D0	channel 4 short to ground 0 = no short to ground 1 = short to ground

**Remark:** Data bits are only reset (cleared after read) after reading 5 data bytes.

Table 15. Data byte DB3

Bit	Description
D7	maximum temperature protection 0 = no protection 1 = maximum temperature protection
D6	speaker fault channel 1 0 = no speaker fault, channel 1 1 = speaker fault, channel 1

Table 15. Data byte DB3 ...continued

Bit	Description
D5 and D4	channel 1 DC-load or AC-load detection if bit IB4[D4] = 1, AC-load detection is enabled, bit D5 does not care, bit D4 has the following meaning: 0 = no AC-load 1 = AC-load detected if bit IB4[D4] = 0, AC-load detection is disabled, bits D5 and D4 are available for DC-load detection: 00 = normal load 01 = line driver load 10 = open load 11 = not valid
D3	channel 1 shorted load 0 = no shorted load 1 = shorted load
D2	channel 1 output offset 0 = no output offset 1 = output offset
D1	channel 1 short to V <sub>P</sub> 0 = no short to V <sub>P</sub> 1 = short to V <sub>P</sub>
D0	channel 1 short to ground 0 = no short to ground 1 = short to ground

**Remark:** Data bits are only reset (cleared after read) after reading 5 data bytes.

Table 16. Data byte DB4

Bit	Description
D7	power supply 16 V overvoltage warning 0 = no overvoltage warning 1 = overvoltage warning occurred
D6	speaker fault channel 3 0 = no speaker fault 1 = speaker fault

Table 16. Data byte DB4 ...continued

Bit	Description
D5 and D4	channel 3 DC-load or AC-load detection if bit IB4[D4] = 1, AC-load detection is enabled, bit D5 does not care, bit D4 has the following meaning: 0 = no AC-load 1 = AC-load detected if bit IB4[D4] = 0, AC-load detection is disabled, bits D5 and D4 are available for DC-load detection: 00 = normal load 01 = line driver load 10 = open load 11 = not valid
D3	channel 3 shorted load 0 = no shorted load 1 = shorted load
D2	channel 3 output offset 0 = no output offset 1 = output offset
D1	channel 3 short to V <sub>P</sub> 0 = no short to V <sub>P</sub> 1 = short to V <sub>P</sub>
D0	channel 3 short to ground 0 = no short to ground 1 = short to ground

**Remark:** Data bits are only reset (cleared after read) after reading all 5 data bytes.

Table 17. Data byte DB5

Bit	Description
D7	power supply undervoltage 0 = no undervoltage 1 = undervoltage occurred
D6	power supply overvoltage 0 = no overvoltage 1 = overvoltage has occurred
D5	system status with start-up diagnostics or amplifier start-up <a href="#">[1]</a> 0 = system not busy 1 = system busy
D4	V <sub>P</sub> below/above 7.5 V 0 = V <sub>P</sub> above 7.5 V 1 = V <sub>P</sub> has dropped below 7.5 V

Table 17. Data byte DB5 ...continued

Bit	Description
D3	V <sub>P</sub> below above 10 V 0 = V <sub>P</sub> above 10 V 1 = V <sub>P</sub> has dropped below 10 V
D2	undervoltage protection 0 = no undervoltage protection occurred 1 = undervoltage protection occurred (engine start)
D1	-
D0	amplifier and output stage status [1] 0 = amplifier switched off, output stage high impedance 1 = amplifier switched on, output stage active

[1] Bits DB5[D0] and [D5] are not latched/cleared after being read. They indicate the actual value.

**Remark:** Data bits are only reset (cleared after read) after reading all 5 data bytes.

## 9. Limiting values

Table 18. Limiting values

In accordance with the Absolute Maximum Rating System (IEC 60134).

Symbol	Parameter	Conditions	Min	Max	Unit
V <sub>P</sub>	supply voltage	operating	6	18	V
		non-operating	-1	+50	V
		load dump protection; duration 50 ms, rise time > 2.5 ms	-	50	V
V <sub>P(r)</sub>	reverse supply voltage	10 minutes maximum	-	-2	V
I <sub>OSM</sub>	non-repetitive peak output current		-	13	A
I <sub>ORM</sub>	repetitive peak output current		-	8	A
T <sub>j(max)</sub>	maximum junction temperature		-	150	°C
T <sub>stg</sub>	storage temperature		-55	+150	°C
T <sub>amb</sub>	ambient temperature	heatsink of sufficient size to ensure T <sub>j</sub> does not exceed 150 °C	-40	+105	°C
V <sub>(prot)</sub>	protection voltage	AC and DC short-circuit voltage of output pins and across the load	-	V <sub>P</sub>	V
V <sub>i(max)</sub>	maximum input voltage	RMS value; before capacitor; R <sub>S</sub> = 100 Ω	-	5	V

**Table 18. Limiting values ...continued**  
 In accordance with the Absolute Maximum Rating System (IEC 60134).

Symbol	Parameter	Conditions	Min	Max	Unit
V <sub>x</sub>	voltage on pin x				
		SCL and SDA	0	6.5	V
		SVR, ACGND and DIAG	0	10	V
		STB	[1] 0	24	V
P <sub>tot</sub>	total power dissipation	T <sub>case</sub> = 70 °C	-	80	W
V <sub>ESD</sub>	electrostatic discharge voltage	HBM; C = 100 pF; R <sub>s</sub> = 1.5 kΩ	[2] -	2000	V
		CDM	[3]		
		corner pins	-	750	V
		non-corner pins; except pin 24 (SVR) version TH only	-	500	V
		pin 24 (SVR) version TH only	-	400	V

- [1] 10 kΩ series resistance if connected to V<sub>P</sub>.
- [2] Human Body Model (HBM): all pins have passed all tests to 2500 V to guarantee 2000 V, according to class II.
- [3] Charged-Device Model (CDM).

## 10. Thermal characteristics

**Table 19. Thermal characteristics**

Symbol	Parameter	Conditions	Typ	Unit
<b>DBS27/RDBS27/DBSMS27P</b>				
R <sub>th(j-c)</sub>	thermal resistance from junction to case		1.15	K/W
R <sub>th(j-a)</sub>	thermal resistance from junction to ambient		40	K/W
<b>HSOP36</b>				
R <sub>th(j-c)</sub>	thermal resistance from junction to case		1.15	K/W
R <sub>th(j-a)</sub>	thermal resistance from junction to ambient		35	K/W

## 11. Characteristics

**Table 20. Characteristics**

Refer to test circuit (see [Figure 29](#)) at T<sub>amb</sub> = 25 °C; V<sub>P</sub> = 14.4 V; unless otherwise specified. Tested at T<sub>amb</sub> = 25 °C; guaranteed for T<sub>j</sub> = -40 °C to +150 °C; functionality is guaranteed for V<sub>P</sub> < 10 V unless otherwise specified.

Symbol	Parameter	Conditions	Min	Typ	Max	Unit
<b>Supply voltage behavior</b>						
V <sub>P(oper)</sub>	operating supply voltage	R <sub>L</sub> = 4 Ω	6	14.4	18	V
		R <sub>L</sub> = 2 Ω	6	14.4	16	V
I <sub>q</sub>	quiescent current	no load	-	260	350	mA
		no load; V <sub>P</sub> = 7 V	-	190	-	mA



**Table 20. Characteristics ...continued**

Refer to test circuit (see [Figure 29](#)) at  $T_{amb} = 25\text{ °C}$ ;  $V_P = 14.4\text{ V}$ ; unless otherwise specified. Tested at  $T_{amb} = 25\text{ °C}$ ; guaranteed for  $T_j = -40\text{ °C}$  to  $+150\text{ °C}$ ; functionality is guaranteed for  $V_P < 10\text{ V}$  unless otherwise specified.

Symbol	Parameter	Conditions	Min	Typ	Max	Unit
$I_{off}$	off-state current	$V_{STB} = 0.4\text{ V}$	-	4	10	$\mu\text{A}$
$V_O$	output voltage	DC; amplifier on; high gain/low gain mode	6.6	7.1	7.6	V
		DC; line driver mode; IB4[D2] = 0; IB3[D5] = [D6] = 1	3.0	3.4	3.8	V
$V_{P(low)(mute)}$	low supply voltage mute	rising supply voltage				
		IB4[D0] = 1	7.0	7.7	8.1	V
		IB4[D0] = 0	5.4	5.7	6.2	V
		falling supply voltage				
$\Delta V_{P(low)(mute)}$	low supply voltage mute hysteresis	IB4[D0] = 1	0.1	0.5	0.8	V
		IB4[D0] = 0	0.1	0.3	0.7	V
$V_{P(ovp)pwarn}$	pre-warning overvoltage protection supply voltage	rising supply voltage	15.2	16	16.9	V
		falling supply voltage	14.4	15.2	16.2	V
		hysteresis	-	0.8	-	V
$V_{th(ovp)}$	overvoltage protection threshold voltage	rising supply voltage	18	20	22	V
$V_{POR}$	power-on reset voltage	falling supply voltage	-	3.1	4.5	V
$V_{O(offset)}$	output offset voltage	amplifier on	-75	0	+75	mV
		amplifier mute	-25	0	+25	mV
		line driver mode	-45	0	+45	mV

**Mode select and second clip detection: pin STB**

$V_{STB}$	voltage on pin STB	off mode selected					
		I <sup>2</sup> C-bus mode	-	-	0.8	V	
		legacy mode (I <sup>2</sup> C-bus mode off)	-	-	0.8	V	
		mute selected					
		legacy mode (I <sup>2</sup> C-bus mode off)	2.5	-	4.5	V	
		operating mode selected					
		I <sup>2</sup> C-bus mode	2.5	-	$V_P$	V	
		legacy mode (I <sup>2</sup> C-bus mode off)	5.9	-	$V_P$	V	
		low voltage on pin STB when pulled LOW during clipping	<a href="#">[1]</a>				
$I_{STB}$	current on pin STB	0 V < $V_{STB}$ < 8.5 V; clip detection not active	<a href="#">[1]</a>	-	5	30	$\mu\text{A}$
		$I_{STB} = 150\text{ }\mu\text{A}$		5.6	5.9	6.5	V
		$I_{STB} = 500\text{ }\mu\text{A}$		6.1	-	7.4	V

**Table 20. Characteristics ...continued**

Refer to test circuit (see [Figure 29](#)) at  $T_{amb} = 25\text{ °C}$ ;  $V_P = 14.4\text{ V}$ ; unless otherwise specified. Tested at  $T_{amb} = 25\text{ °C}$ ; guaranteed for  $T_j = -40\text{ °C}$  to  $+150\text{ °C}$ ; functionality is guaranteed for  $V_P < 10\text{ V}$  unless otherwise specified.

Symbol	Parameter	Conditions	Min	Typ	Max	Unit
<b>Start-up/shut-down/mute timing</b>						
$t_{wake}$	wake-up time	time after wake-up via pin STB before first I <sup>2</sup> C-bus transmission is recognized; see <a href="#">Figure 4</a>	-	300	500	μs
$I_{LO(SVR)}$	output leakage current on pin SVR		-	-	5	μA
$t_{d(mute\_off)}$	mute off delay time	time from amplifier start to 10 % of output signal; $I_{LO} = 0\text{ μA}$	[2]			
		I <sup>2</sup> C-bus mode; with $I_{LO} = 5\text{ μA} \rightarrow +15\text{ ms}$ ; no DC-load ( $IB1[D1] = 0$ ); see <a href="#">Figure 4</a>	-	430	650	ms
		legacy mode; with $I_{LO} = 5\text{ μA} \rightarrow +20\text{ ms}$ ; $V_{STB} = 7\text{ V}$ ; $R_{ADSEL} = 0\text{ Ω}$ ; see <a href="#">Figure 5</a>	-	430	650	ms
$t_{amp\_on}$	amplifier on time	time from amplifier start to amplifier on; 90 % of output signal; $I_{LO} = 0\text{ μA}$	[2]			
		I <sup>2</sup> C-bus mode; with $I_{LO} = 5\text{ μA} \rightarrow +30\text{ ms}$ ; no DC-load ( $IB1[D1] = 0$ ); see <a href="#">Figure 4</a>	-	550	800	ms
		legacy mode; with $I_{LO} = 5\text{ μA} \rightarrow +20\text{ ms}$ ; $V_{STB} = 7\text{ V}$ ; $R_{ADSEL} = 0\text{ Ω}$ ; see <a href="#">Figure 5</a>	-	550	800	ms
$t_{off}$	amplifier switch-off time	time to DC output voltage $< 0.1\text{ V}$ ; $I_{LO} = 0\text{ μA}$	[2]			
		I <sup>2</sup> C-bus mode; with $I_{LO} = 5\text{ μA} \rightarrow +0\text{ ms}$ ; see <a href="#">Figure 4</a>	250	500	750	ms
		via pin STB; ( $IB4[D6] = 0$ ); with $I_{LO} = 5\text{ μA} \rightarrow +0\text{ ms}$ ; see <a href="#">Figure 5</a>	250	500	750	ms
$t_{d(mute-on)}$	delay time from mute to on	from 10 % to 90 % of output signal; $V_i = 50\text{ mV}$ ; I <sup>2</sup> C-bus mode ( $IB2[D1] = 1$ to 0) or legacy mode ( $V_{STB} = 3\text{ V}$ to 7 V); see <a href="#">Figure 5</a>	5	15	40	ms
$t_{d(soft\_mute)}$	soft mute delay time	from 90 % to 10 % of output signal; $V_i = 50\text{ mV}$ ; I <sup>2</sup> C-bus mode ( $IB2[D1] = 0$ to 1) or legacy mode ( $V_{STB} = 7\text{ V}$ to 3 V); see <a href="#">Figure 5</a>	5	15	40	ms
$t_{d(fast\_mute)}$	fast mute delay time	from 90 % to 10 % of output signal; $V_i = 50\text{ mV}$ ; I <sup>2</sup> C-bus mode ( $IB2[D0] = 0$ to 1, or $V_{STB}$ from $> 5.9\text{ V}$ to $< 0.8\text{ V}$ in 1 μs; see <a href="#">Figure 5</a>	-	0.4	1	ms

**Table 20. Characteristics ...continued**

Refer to test circuit (see [Figure 29](#)) at  $T_{amb} = 25\text{ °C}$ ;  $V_P = 14.4\text{ V}$ ; unless otherwise specified. Tested at  $T_{amb} = 25\text{ °C}$ ; guaranteed for  $T_j = -40\text{ °C}$  to  $+150\text{ °C}$ ; functionality is guaranteed for  $V_P < 10\text{ V}$  unless otherwise specified.

Symbol	Parameter	Conditions	Min	Typ	Max	Unit
$t_{(start-Vo(off))}$	engine start to output off time	$V_P$ from 14.4 V to 5 V in 1.5 ms; $V_o < 0.5\text{ V}$ ; see <a href="#">Figure 6</a>	-	0.1	1	ms
$t_{(start-SVR(off))}$	engine start to SVR off time	$V_P$ from 14.4 V to 5 V in 1.5 ms; $V_{SVR} < 0.7\text{ V}$ ; see <a href="#">Figure 6</a>	-	40	75	ms

**I<sup>2</sup>C-bus interface**

$V_{IL}$	LOW-level input voltage	pins SCL and SDA	-	-	1.5	V
$V_{IH}$	HIGH-level input voltage	pins SCL and SDA	2.3	-	5.5	V
$V_{OL}$	LOW-level output voltage	pin SDA; $I_L = 5\text{ mA}$	-	-	0.4	V
$f_{SCL}$	SCL clock frequency		-	400	-	kHz
$V_{ADSEL}$	voltage on pin ADSEL	I <sup>2</sup> C-bus address $A[6:0] = 1101\ 101$				
		$R_{ADSEL} = 0\ \Omega$	4	5	11	V
		$R_{seriesADSEL} = 100\text{ k}\Omega$	-	-	$V_P$	V
$I_{I(ADSEL)}$	input current on pin ADSEL	$V_{STB} = 5\text{ V}$ ; $V_{ADSEL} = 5\text{ V}$	-	2	10	$\mu\text{A}$
$R_{ADSEL}$	resistance on pin ADSEL	I <sup>2</sup> C-bus address $A[6:0] = 1101\ 110$	99	100	101	$\text{k}\Omega$
		I <sup>2</sup> C-bus address $A[6:0] = 1101\ 111$	29.7	30	30.3	$\text{k}\Omega$
		I <sup>2</sup> C-bus address $A[6:0] = 1101\ 010$	9.9	10	10.1	$\text{k}\Omega$
		legacy mode	-	-	0.47	$\text{k}\Omega$
$V_{P(latch)}$	latch supply voltage	will not react to address selection changes			6	V

**Start-up diagnostics**

$t_{sudiag}$	start-up diagnostic time	from start-up diagnostic command via I <sup>2</sup> C-bus until completion of start-up diagnostic; $V_O + < 0.1\text{ V}$ ; $V_O - < 0.1\text{ V}$ (no load) $IB1[D1] = 1$ ; see <a href="#">Figure 12</a>	50	130	250	ms
$t_{d(sudiag-on)}$	start-up diagnostic to on delay time	at 90 % of output signal; $IB1[D0:D1] = 11$ ; see <a href="#">Figure 12</a>	-	680	-	ms
$V_{offset}$	offset voltage	startup diagnostic offset voltage under no load condition	1.3	2	2.5	V
$R_{Ldet(sudiag)}$	start-up diagnostic load detection resistance	$V_P = 14.4\text{ V}$ shorted load:				
		high gain; $IB3[D6:D5] = 00$	-	-	0.5	$\Omega$
		low gain; $IB3[D6:D5] = 11$	-	-	1.5	$\Omega$
		normal load:				
		high gain ( $IB3[D6:D5] = 00$ )	1.5	-	20	$\Omega$
		low gain ( $IB3[D6:D5] = 11$ )	3.2	-	20	$\Omega$
		line driver load	80	-	200	$\Omega$
		open load	400	-	-	$\Omega$

**Table 20. Characteristics ...continued**

Refer to test circuit (see [Figure 29](#)) at  $T_{amb} = 25\text{ °C}$ ;  $V_P = 14.4\text{ V}$ ; unless otherwise specified. Tested at  $T_{amb} = 25\text{ °C}$ ; guaranteed for  $T_j = -40\text{ °C}$  to  $+150\text{ °C}$ ; functionality is guaranteed for  $V_P < 10\text{ V}$  unless otherwise specified.

Symbol	Parameter	Conditions	Min	Typ	Max	Unit
<b>Diagnostic</b>						
$V_{OL(DIAG)}$	LOW-level output voltage on pin DIAG	fault condition; $I_{DIAG} = 1\text{ mA}$	-	-	0.3	V
$V_{O(offset\_det)}$	output voltage at offset detection		±1.0	±1.3	±2.0	V
$THD_{clip}$	total harmonic distortion clip detection level	$IB2[D7:D6] = 10$ ; $V_P > 10\text{ V}$	-	10	-	%
		$IB2[D7:D6] = 01$ ; $V_P > 10\text{ V}$	-	5	-	%
		$IB2[D7:D6] = 00$ ; $V_P > 10\text{ V}$	-	2	-	%
$T_{j(AV)(pwarn)}$	pre-warning average junction temperature	$IB3[D4] = 0$ or legacy mode	150	160	170	°C
		$IB3[D4] = 1$	125	135	145	°C
$T_{j(AV)(G(-0.5dB))}$	average junction temperature for 0.5 dB gain reduction	$V_i = 0.05\text{ V}$	-	175	-	°C
$\Delta G_{(th\_fold)}$	gain reduction of thermal foldback	all channels will switch off	-	20	-	dB
$I_o$	output current	I <sup>2</sup> C-bus mode; $IB4[D4] = 1$ ; peak current				
		$IB4[D1] = 1$	500	-	-	mA
		$IB4[D1] = 0$	275	-	-	mA
		I <sup>2</sup> C-bus mode; $IB4[D4] = 0$ ; peak current				
		$IB4[D1] = 1$	-	-	250	mA
		$IB4[D1] = 0$	-	-	110	mA
<b>Amplifier</b>						
$P_o$	output power	$R_L = 4\ \Omega$ ; $V_P = 14.4\text{ V}$ ; THD = 0.5 %	18	20	-	W
		$R_L = 4\ \Omega$ ; $V_P = 14.4\text{ V}$ ; THD = 10 %	23	25	-	W
		$R_L = 2\ \Omega$ ; $V_P = 14.4\text{ V}$ ; THD = 0.5 %	29	32	-	W
		$R_L = 2\ \Omega$ ; $V_P = 14.4\text{ V}$ ; THD = 10 %	40	44	-	W
$P_{o(max)}$	maximum output power	$R_L = 4\ \Omega$ ; $V_P = 14.4\text{ V}$ ; $V_i = 2\text{ V RMS square wave}$	37	40	-	W
		$R_L = 4\ \Omega$ ; $V_P = 15.2\text{ V}$ ; $V_i = 2\text{ V RMS square wave}$	41	45	-	W
		$R_L = 2\ \Omega$ ; $V_P = 14.4\text{ V}$ ; $V_i = 2\text{ V RMS square wave}$	58	64	-	W

**Table 20. Characteristics ...continued**

Refer to test circuit (see [Figure 29](#)) at  $T_{amb} = 25\text{ °C}$ ;  $V_P = 14.4\text{ V}$ ; unless otherwise specified. Tested at  $T_{amb} = 25\text{ °C}$ ; guaranteed for  $T_j = -40\text{ °C}$  to  $+150\text{ °C}$ ; functionality is guaranteed for  $V_P < 10\text{ V}$  unless otherwise specified.

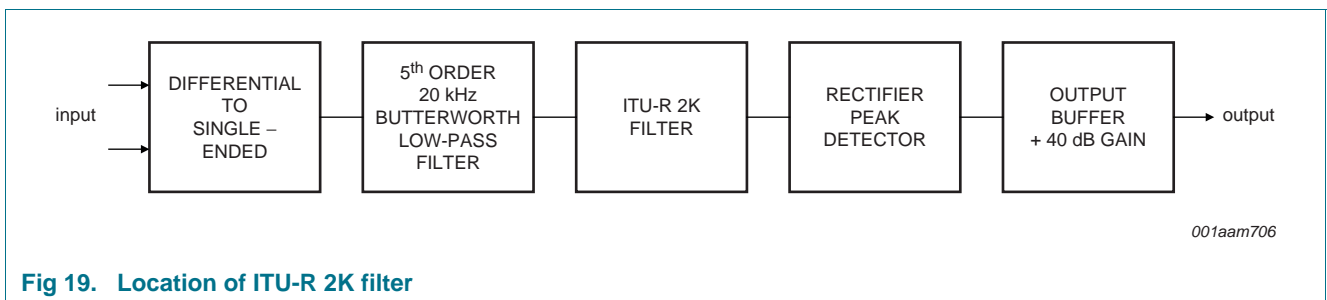
Symbol	Parameter	Conditions	Min	Typ	Max	Unit	
THD	total harmonic distortion	$P_o = 1\text{ W}$ to $12\text{ W}$ ; $f_i = 1\text{ kHz}$ ; $R_L = 4\text{ }\Omega$	-	0.01	0.1	%	
		$P_o = 1\text{ W}$ to $12\text{ W}$ ; $f_i = 10\text{ kHz}$	-	0.2	0.4	%	
		line driver mode; $V_o = 1\text{ V RMS}$ and $4\text{ V RMS}$	-	0.02	0.05	%	
		low gain mode; $P_o = 1\text{ W}$ to $12\text{ W}$ ; $f_i = 1\text{ kHz}$ ; $R_L = 4\text{ }\Omega$	-	0.01	0.1	%	
$\alpha_{cs}$	channel separation	$R_S = 1\text{ k}\Omega$ ; $R_{ACGND} = 250\text{ }\Omega$	[4]				
		$f_i = 1\text{ kHz}$	65	80	-	dB	
		$f_i = 10\text{ kHz}$	55	65	-	dB	
SVRR	supply voltage ripple rejection	100 Hz to 10 kHz; $R_S = 1\text{ k}\Omega$ ; $R_{ACGND} = 250\text{ }\Omega$ ; tested at $V_P = 10.5\text{ V}$	[4]	55	70	-	dB
CMRR	common mode rejection ratio	amplifier mode; $V_{cm} = 0.3\text{ V (p-p)}$ ; $f_i = 1\text{ kHz}$ to $3\text{ kHz}$ ; $R_S = 1\text{ k}\Omega$ ; $R_{ACGND} = 250\text{ }\Omega$	[4]				
		common mode input to differential output ( $V_{O(dif)} / V_{I(cm)} + 26\text{ dB}$ )	55	65	-	dB	
		common mode input to common mode output ( $V_{O(cm)} / V_{I(cm)} + 26\text{ dB}$ )	50	58	-	dB	
$\Delta V_O$	output voltage variation	plop during switch-on and switch-off	[5]				
		from off to mute and mute to off	-	-	7.5	mV	
		from mute to on and on to mute (soft mute)	-	-	7.5	mV	
		from off to on and on to off (start-up diagnostic enabled)	-	-	7.5	mV	
$V_{n(o)}$	output noise voltage	filter 20 Hz to 22 kHz (6th order); $R_S = 1\text{ k}\Omega$					
		mute mode	-	15	23	$\mu\text{V}$	
		line driver mode	-	25	33	$\mu\text{V}$	
		line driver mode; $R_S = 50\text{ }\Omega$	-	25	33	$\mu\text{V}$	
		amplifier mode	-	43	65	$\mu\text{V}$	
		amplifier mode; $R_S = 50\text{ }\Omega$	-	40	60	$\mu\text{V}$	
$G_{v(amp)}$	voltage gain amplifier mode	single-ended in to differential out	25.5	26	26.5	dB	
$G_{v(ld)}$	voltage gain line driver mode	single-ended in to differential out	15.5	16	16.5	dB	
$Z_i$	input impedance	$T_{amb} = -40\text{ °C}$ to $+105\text{ °C}$	38	62	99	k $\Omega$	
		$T_{amb} = 0\text{ °C}$ to $105\text{ °C}$	55	62	99	k $\Omega$	
$\alpha_{mute}$	mute attenuation	$V_o / V_{o(mute)}$ ; $V_i = 50\text{ mV}$	80	92	-	dB	

**Table 20. Characteristics ...continued**

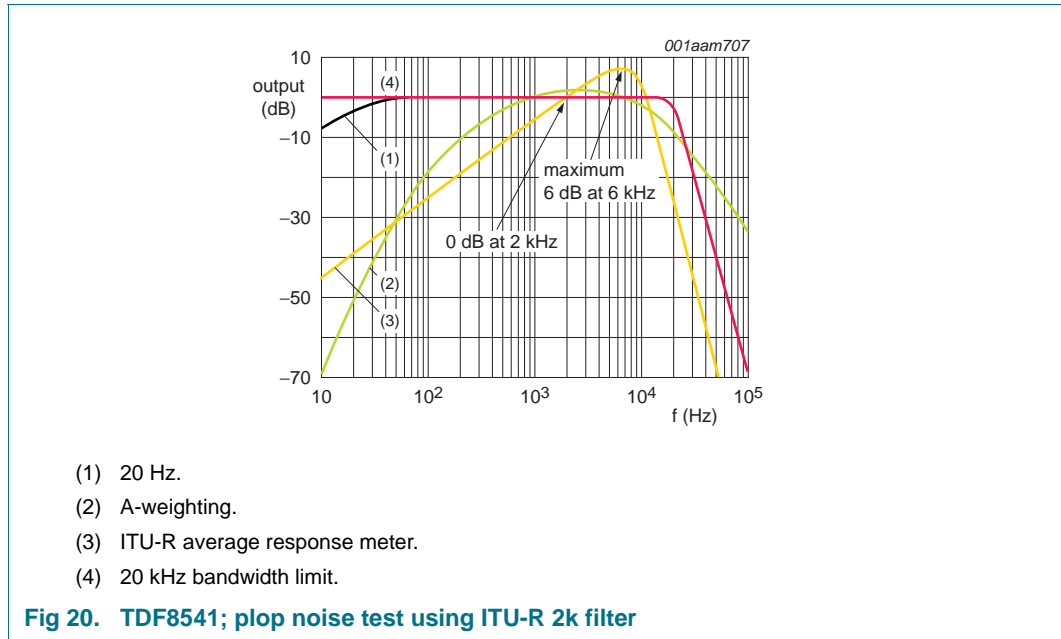
Refer to test circuit (see [Figure 29](#)) at  $T_{amb} = 25\text{ °C}$ ;  $V_P = 14.4\text{ V}$ ; unless otherwise specified. Tested at  $T_{amb} = 25\text{ °C}$ ; guaranteed for  $T_j = -40\text{ °C}$  to  $+150\text{ °C}$ ; functionality is guaranteed for  $V_P < 10\text{ V}$  unless otherwise specified.

Symbol	Parameter	Conditions	Min	Typ	Max	Unit
$V_{o(mute)(RMS)}$	RMS mute output voltage	$V_i = 1\text{ V RMS}$ ; filter 20 Hz to 22 kHz	-	16	29	$\mu\text{V}$
$B_p$	power bandwidth	-1 dB	-	20 to 20000	-	Hz
$C_{L(crit)}$	critical load capacitance	no oscillation; open load and 2 $\Omega$ load; all outputs to GND or across the load	33	-	-	nF

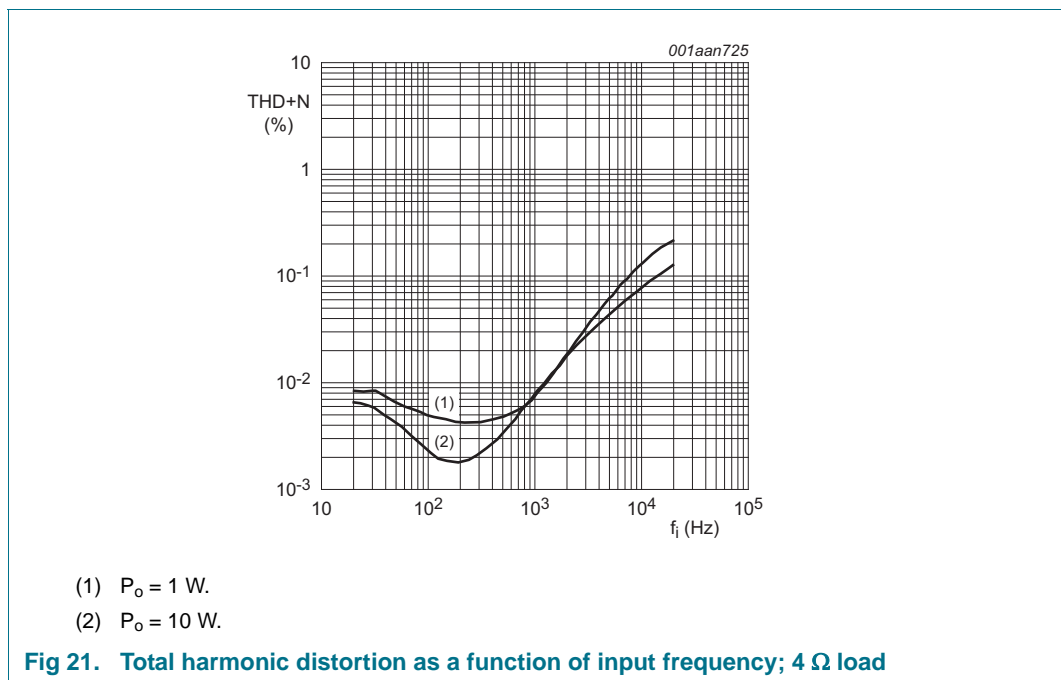
- [1]  $V_{STB}$  depends on the current into pin STB: minimum =  $(1429\ \Omega \times I_{STB}) + 5.4\text{ V}$ , maximum =  $(3143\ \Omega \times I_{STB}) + 5.6\text{ V}$ .
- [2] The times are specified without leakage current. For a leakage current of 5  $\mu\text{A}$  on pin SVR, the delta time is specified. If the capacitor value on pin SVR changes  $\pm 30\%$ , the specified time will also change  $\pm 30\%$ . The specified times include an ESR of 15  $\Omega$  for the capacitor on pin SVR.
- [3] Standard I<sup>2</sup>C-bus specification: maximum LOW-level =  $0.3V_{DD}$ , minimum HIGH-level =  $0.7V_{DD}$ . To comply with 5 V and 3.3 V logic the maximum LOW-level is defined by  $V_{DD} = 5\text{ V}$  and the minimum HIGH-level by  $V_{DD} = 3.3\text{ V}$ .
- [4] For optimum channel separation ( $\alpha_{cs}$ ), supply voltage ripple rejection (SVRR) and common mode rejection ratio (CMRR), a resistor  $R_{ACGND} = \frac{R_S}{4}\ \Omega$  must be in series with the ACGND capacitor.
- [5] The plop-noise during amplifier switch-on and switch-off is measured using an ITU-R 2 k filter; see [Figure 20](#).

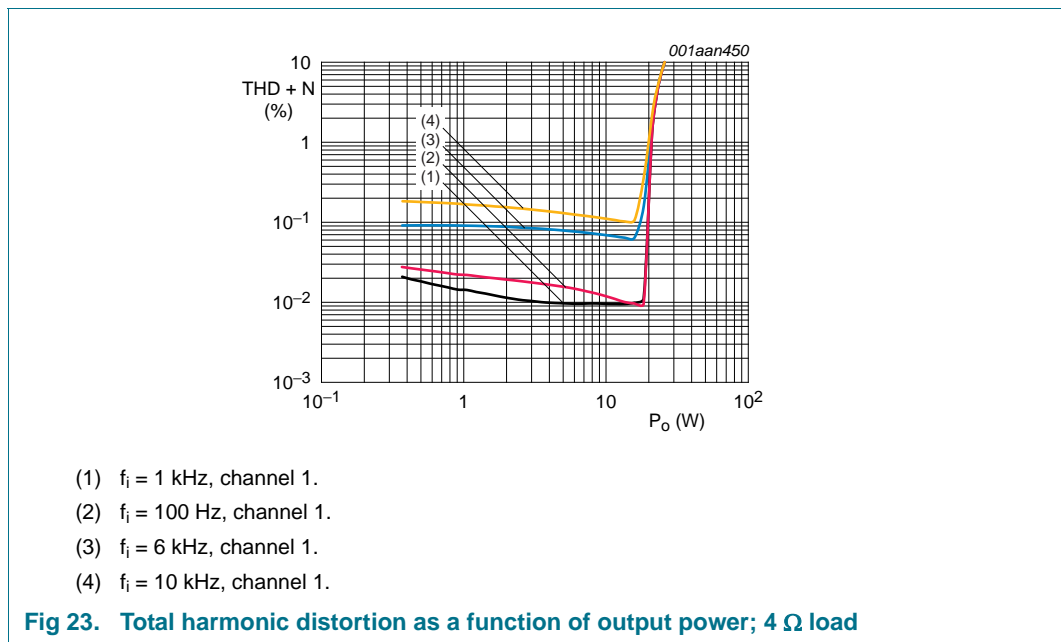
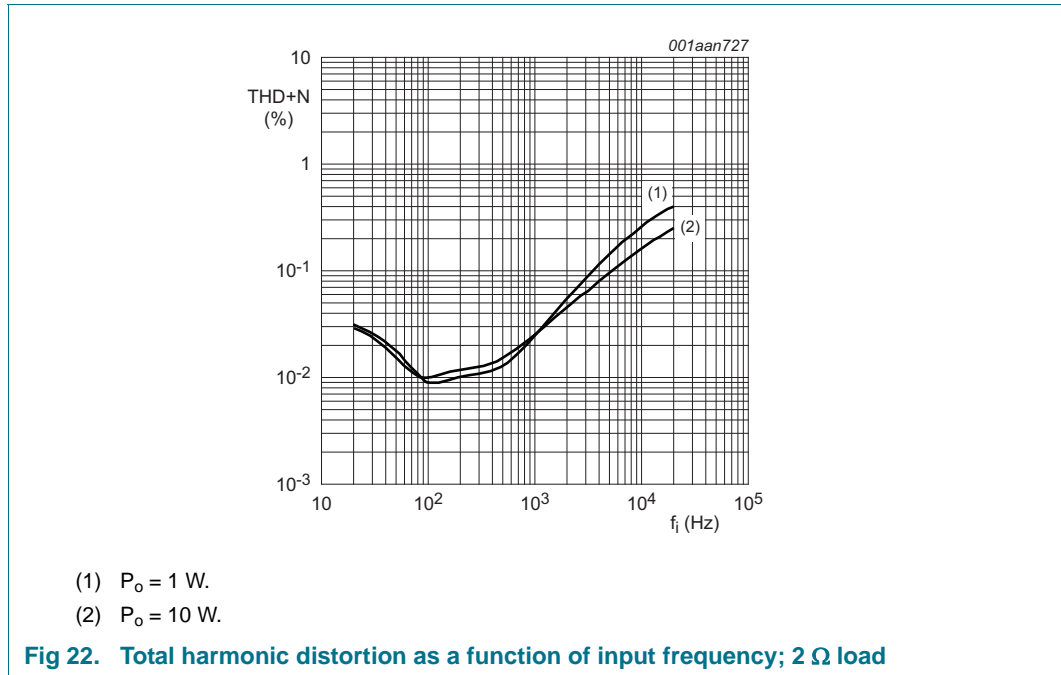


**Fig 19. Location of ITU-R 2K filter**

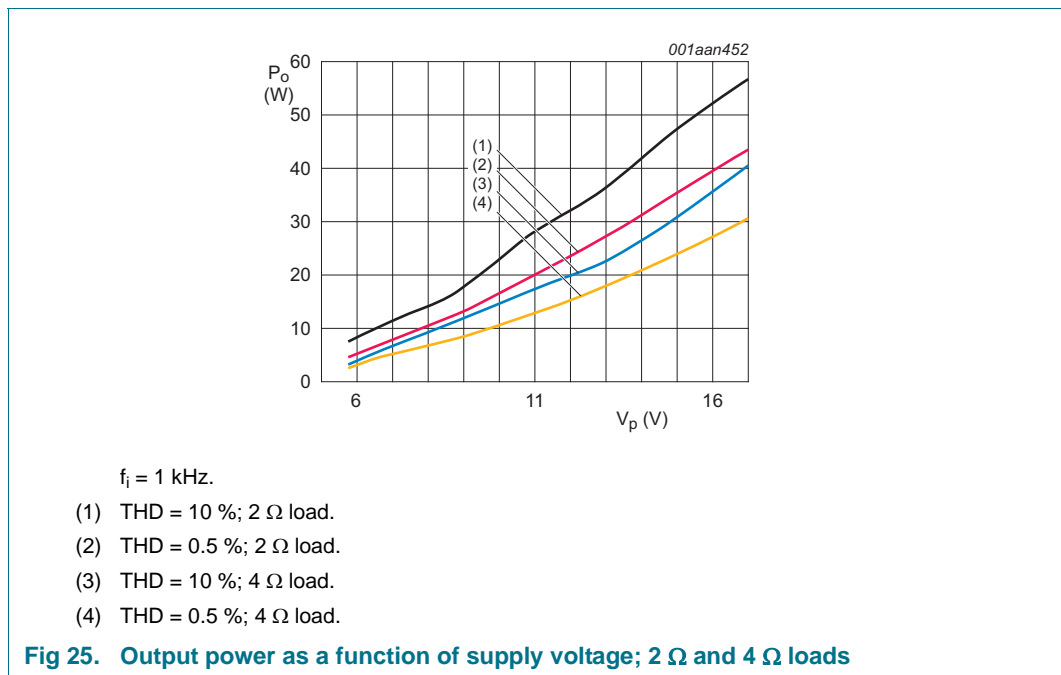
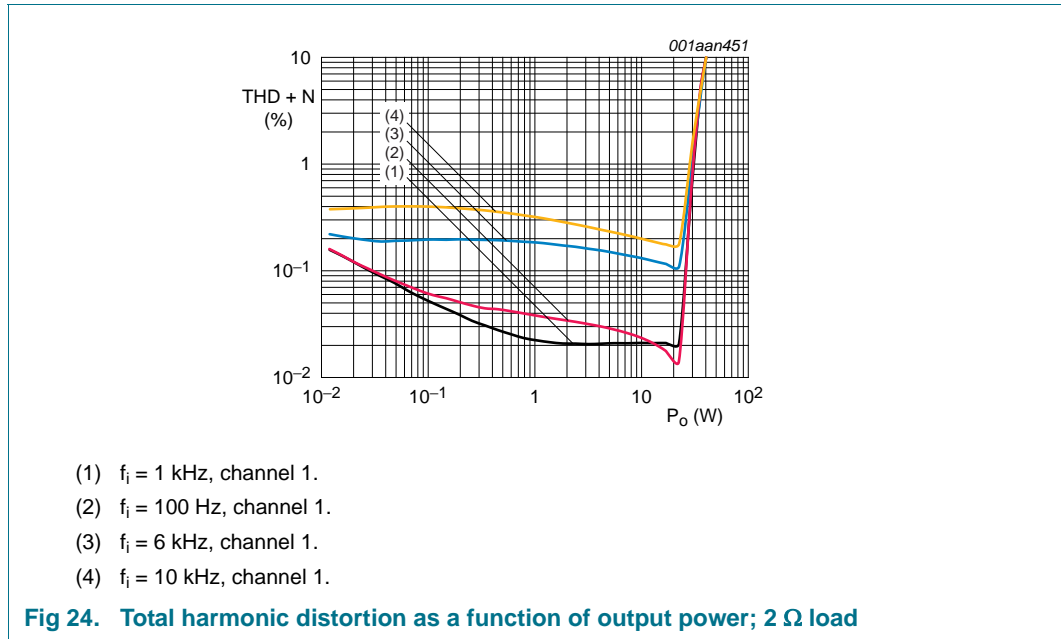


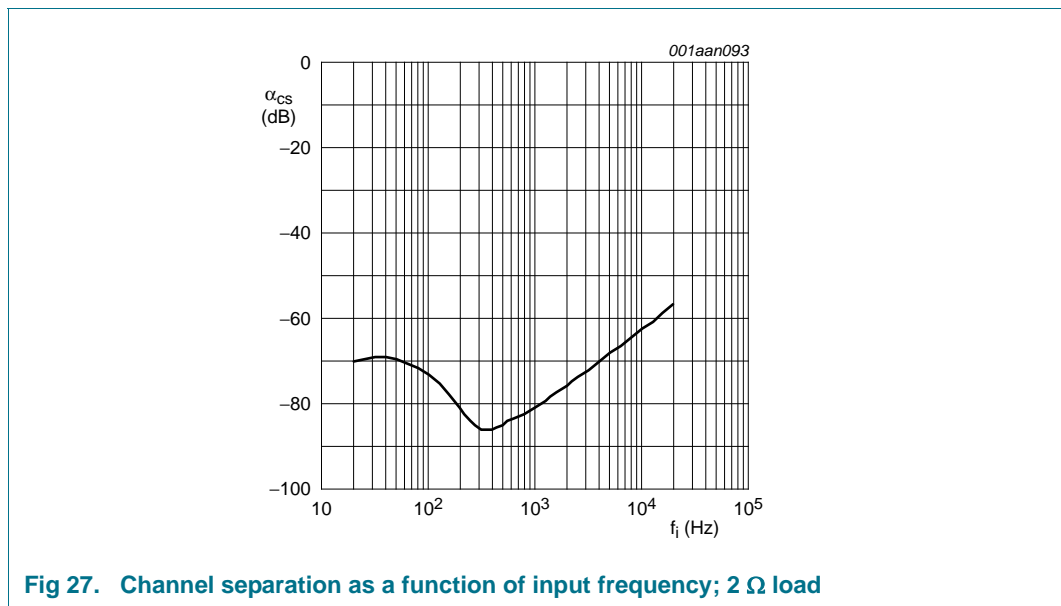
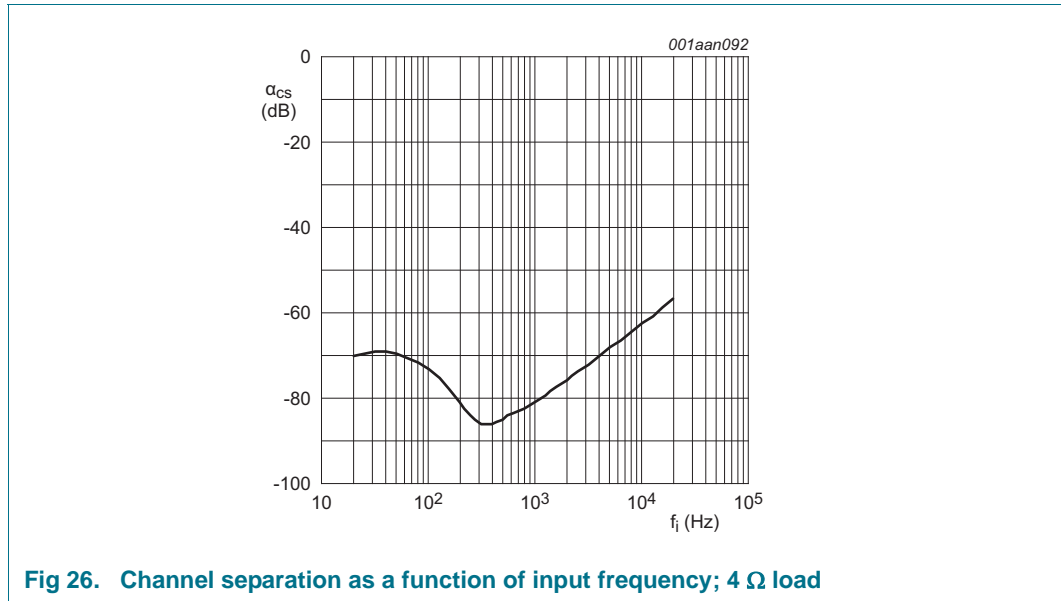
## 12. Performance diagrams

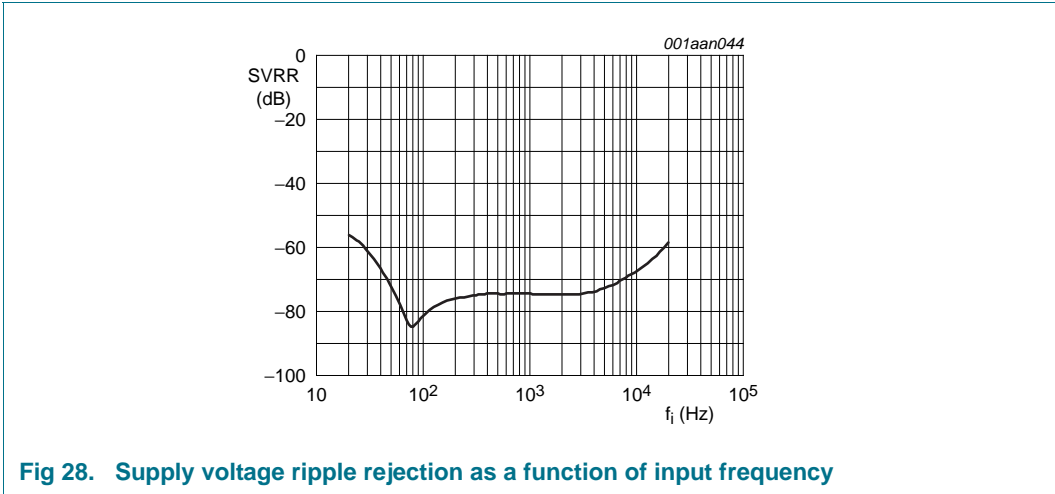




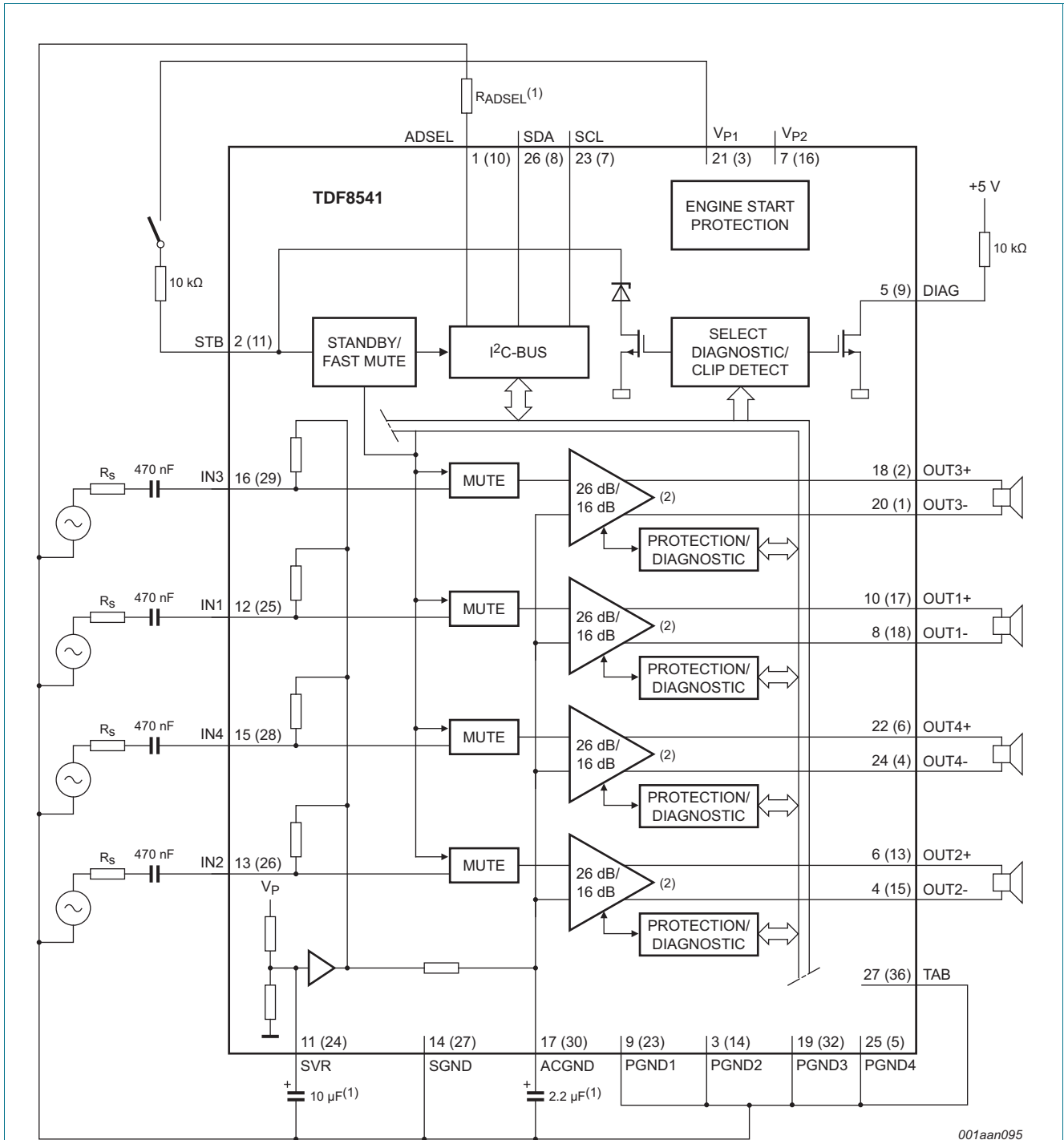








13. Application information



- (1) The SVR and ACGND capacitors and the R<sub>ADSEL</sub> resistor must be connected to pin SGND before they are connected to pin PGND<sub>n</sub>; the ACGND capacitor value must be close to 4 × the input capacitor value. 4 × 470 nF capacitors can be used as an alternative to the 2.2 μF capacitor shown.
- (2) For EMC reasons, a 10 nF capacitor can be connected between each amplifier output and ground.

Fig 29. Test and application diagram

### 13.1 Application PCB layout

The application PCB layout and other detailed application-related information is provided in application note AN10987.

Please use the application PCB for TDF8541J to evaluate versions TDF8541SD and TDF8541JS. The TDF8541SD and TDF8541JS do not fit on this application PCB but have equal behavior and performance compared to the TDF8541J.

Please use the application PCB for version TDF8541J to evaluate versions TDF8541SD and TDF8541JS. The packages of versions TDF8541SD and TDF8541JS do not fit this application PCB because their pin leads are bent at different angles to the pin leads of the TDF8541J package. However, versions TDF8541SD and TDF8541JS have equal behavior and performance to the TDF8541J.

### 13.2 Beep input

Circuit to amplify the beep signal from the microcontroller to all four amplifiers with gain set to 0 dB.

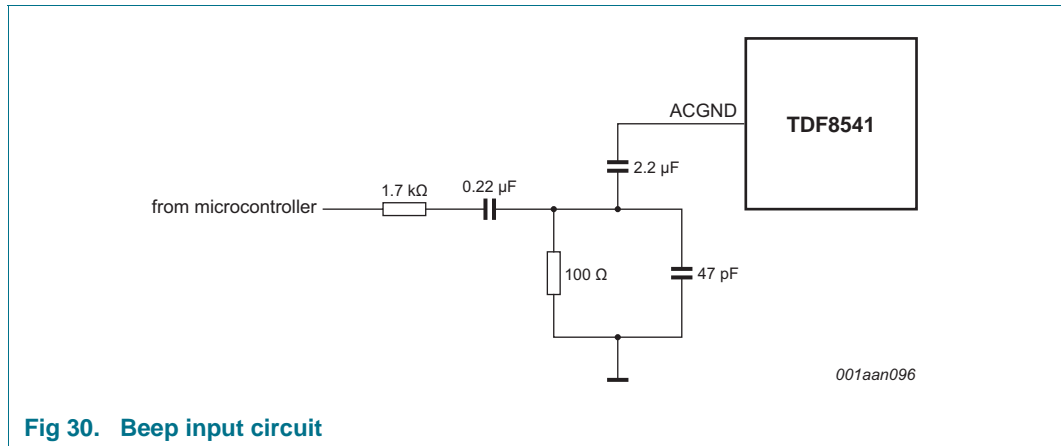


Fig 30. Beep input circuit

### 13.3 Clip detection on pin STB

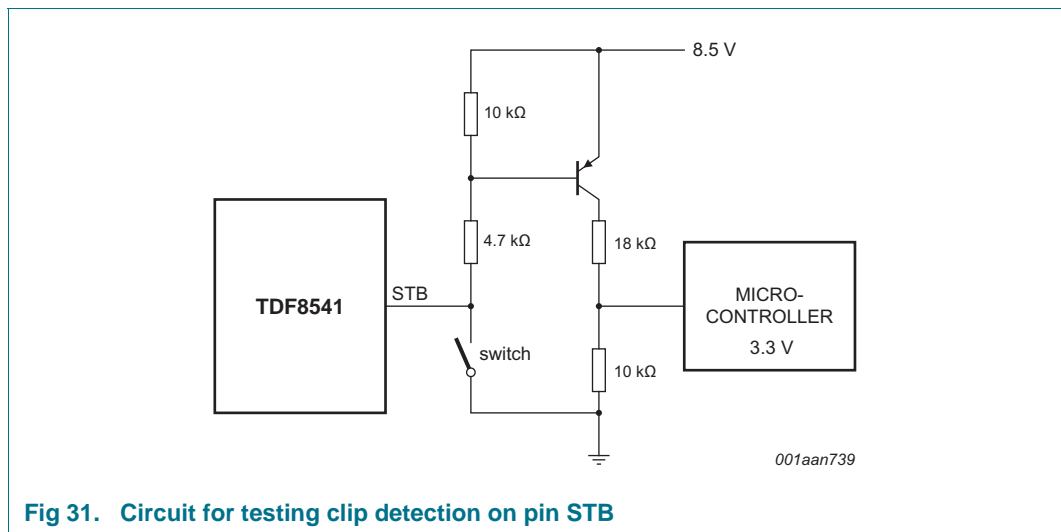


Fig 31. Circuit for testing clip detection on pin STB

## 14. Test information

### 14.1 Quality information

This product has been qualified in accordance with the Automotive Electronics Council (AEC) standard Q100 - *Failure mechanism based stress test qualification for integrated circuits*, and is suitable for use in automotive applications.

15. Package outline

DBS27P: plastic DIL-bent-SIL (special bent) power package; 27 leads (lead length 6.8 mm)

SOT827-1

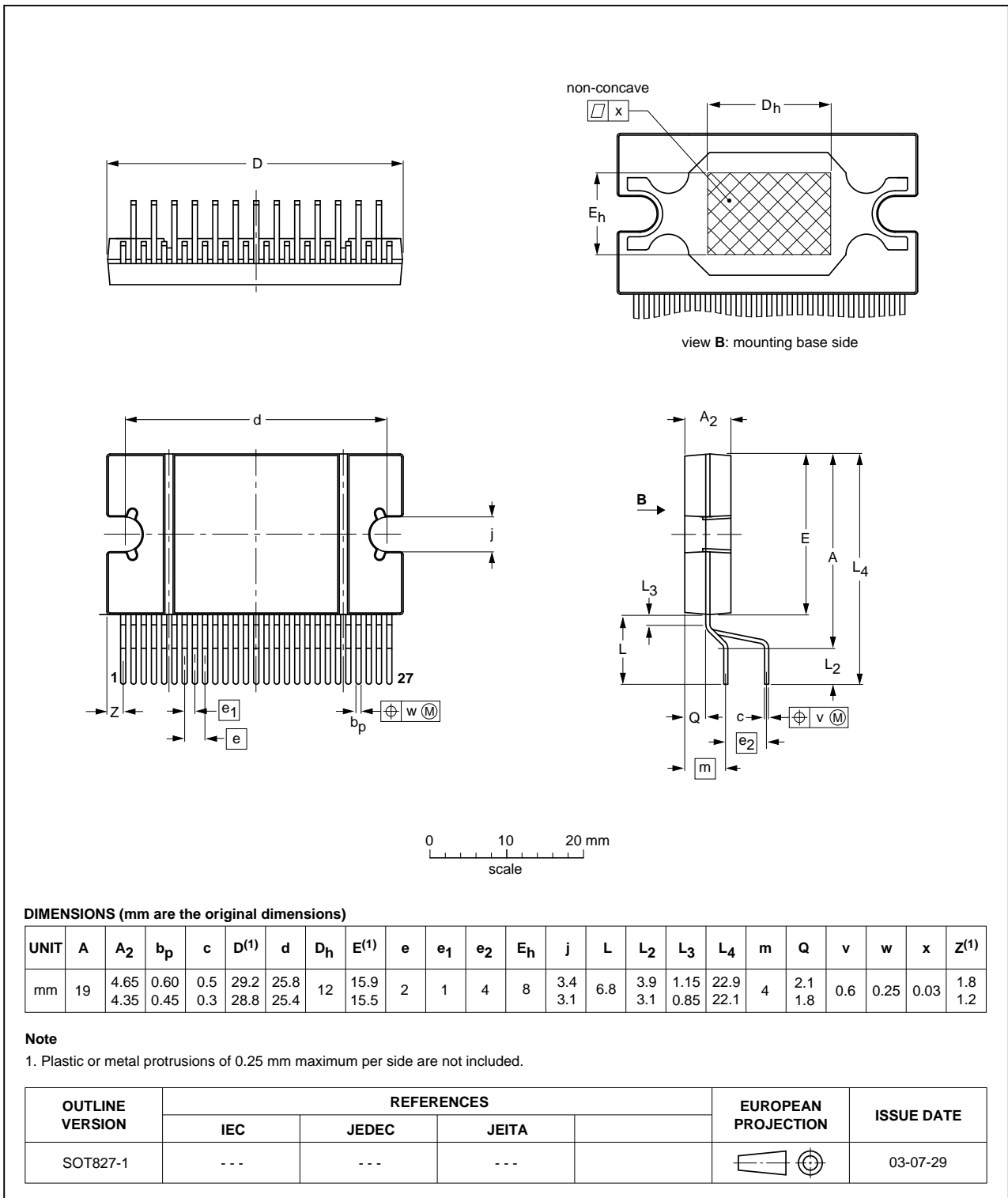


Fig 32. Package outline SOT827-1 (DBS27P)

RDBS27P: plastic rectangular-DIL-bent-SIL (reverse bent) power package; 27 leads (row spacing 2.54 mm)

SOT878-1

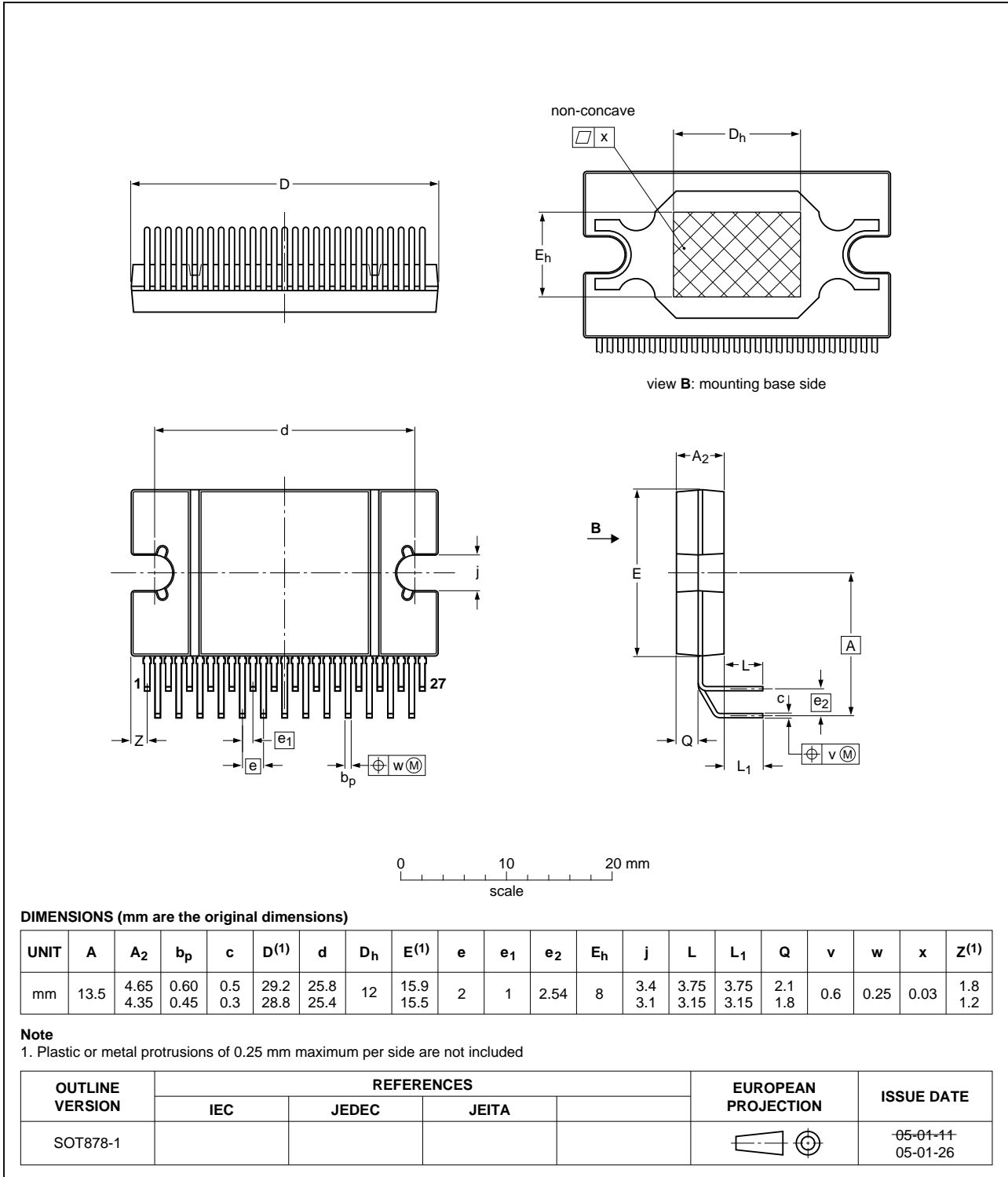


Fig 33. Package outline SOT878-1 (RDBS27P)



HSOP36: plastic, heatsink small outline package; 36 leads; low stand-off height

SOT851-1

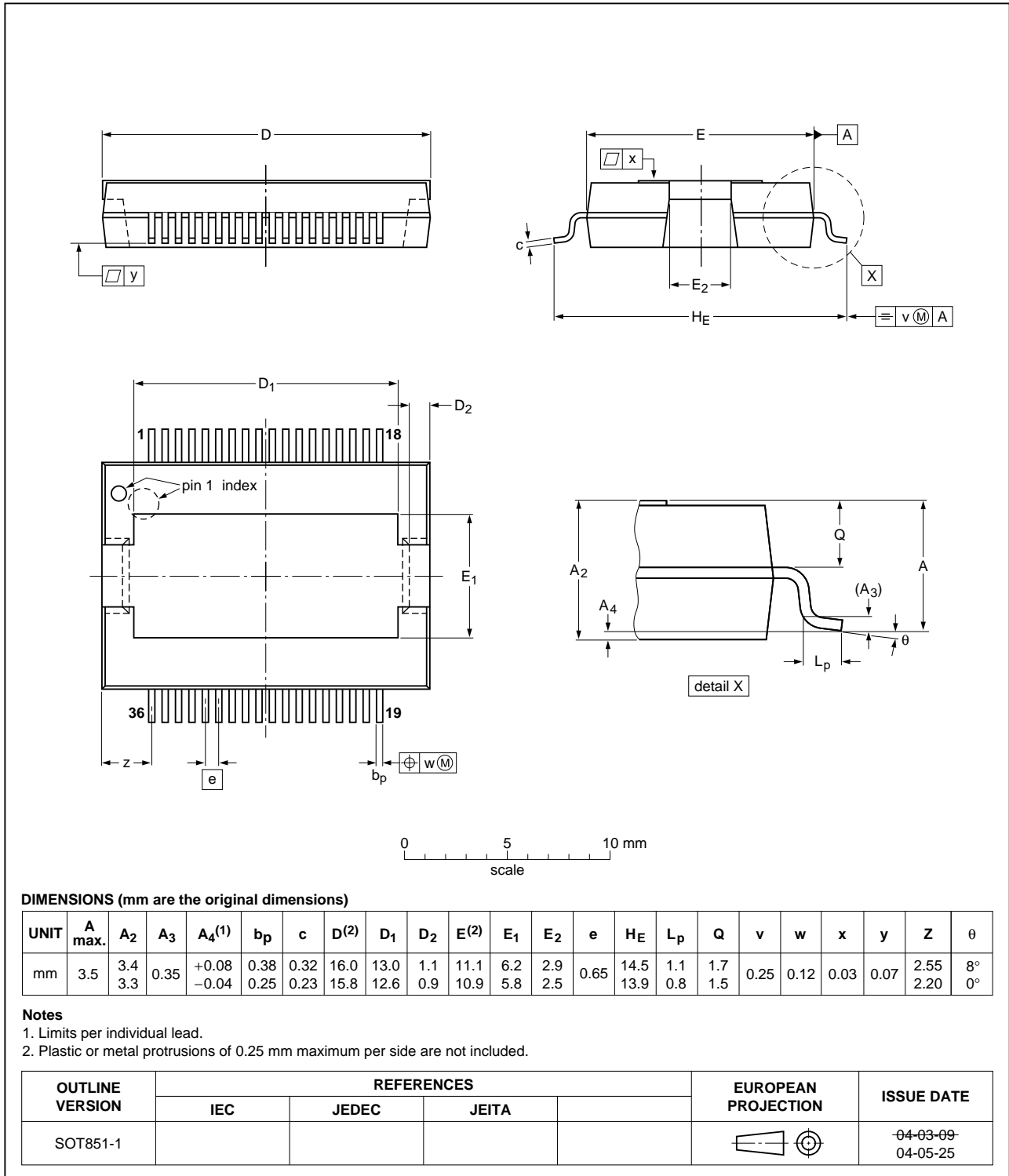


Fig 34. Package outline SOT851-1 (HSOP36)

DBSMS27P: plastic dual bent surface mounted SIL power package; 27 leads

SOT1154-1

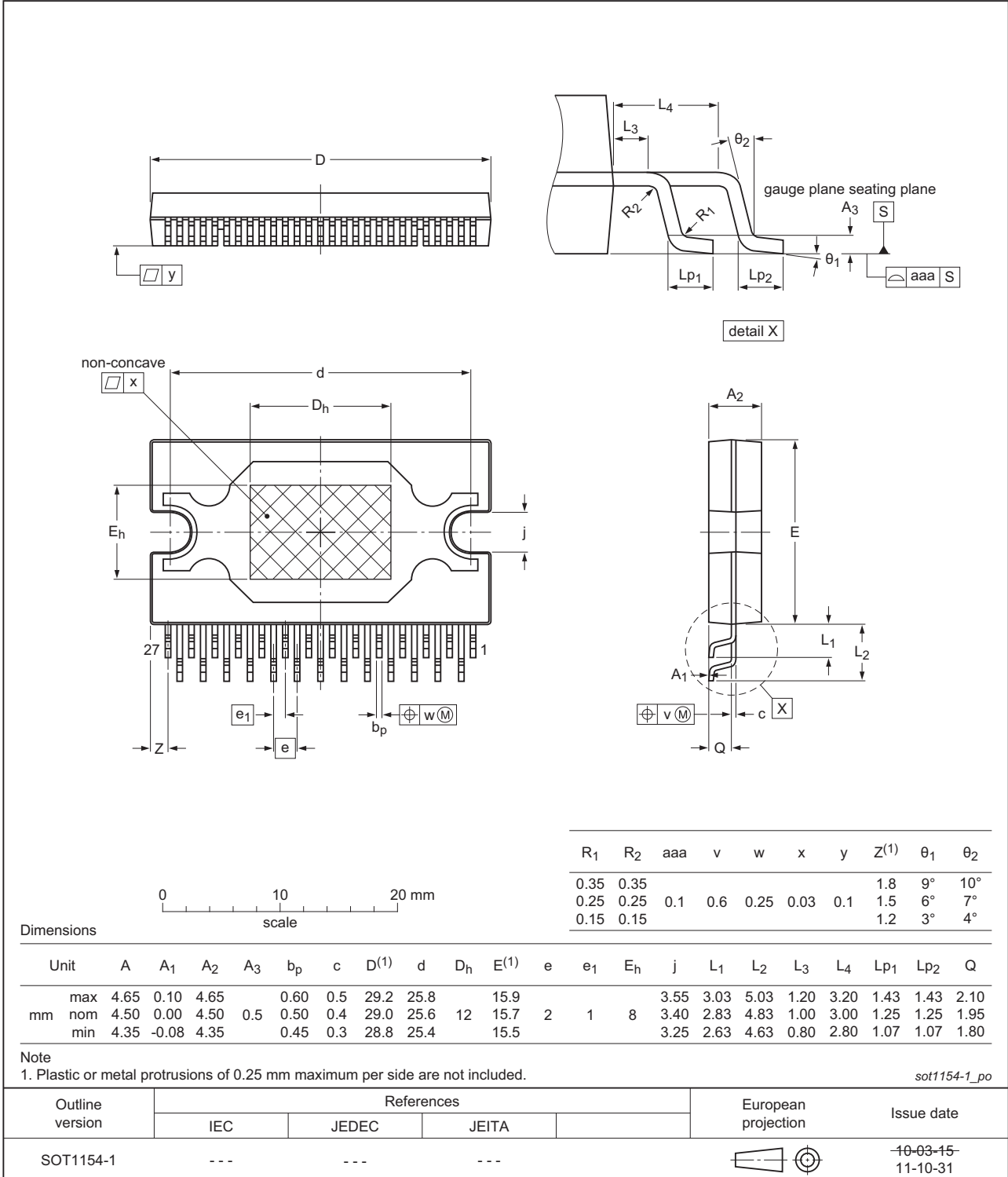


Fig 35. Package outline SOT1154-1 (DBSMS27P)

## 16. Abbreviations

**Table 21. Abbreviations**

Acronym	Description
BCDMOS	Bipolar Complementary Double-diffused Metal-Oxide Semiconductor
BTL	Bridge Tied Load
CMOS	Complementary Metal-Oxide Semiconductor
DMOS	Diffusion Metal Oxide Semiconductor
DSP	Digital Signal Processor
EMC	ElectroMagnetic Compatibility
ESR	Equivalent Series Resistance
NMOS	Negative Metal Oxide Semiconductor
PMOS	Positive Metal Oxide Semiconductor
POR	Power-On Reset
SOAR	Safe Operating ARea
SOI	Silicon On Insulator

## 17. Revision history

**Table 22. Revision history**

Document ID	Release date	Data sheet status	Change notice	Supersedes
TDF8541 v.3	20111213	Product data sheet	-	TDF8541 v.2
Modifications:	<ul style="list-style-type: none"> <li>Suitability for use in automotive applications legal statement added to <a href="#">Section 18.3</a> "Disclaimers"</li> </ul>			
TDF8541 v.2	20111117	Product data sheet	-	TDF8541 v.1
Modifications:	<ul style="list-style-type: none"> <li>Added type number TDF8541JS/N2 in package DBSMS27P</li> <li><a href="#">Section 7.1</a>: changed text in 5th paragraph</li> <li><a href="#">Section 13.1</a>: removed application PCB views</li> </ul>			
TDF8541 v.1	20110829	Product data sheet	-	-

## 18. Legal information

### 18.1 Data sheet status

Document status <sup>[1][2]</sup>	Product status <sup>[3]</sup>	Definition
Objective [short] data sheet	Development	This document contains data from the objective specification for product development.
Preliminary [short] data sheet	Qualification	This document contains data from the preliminary specification.
Product [short] data sheet	Production	This document contains the product specification.

[1] Please consult the most recently issued document before initiating or completing a design.

[2] The term 'short data sheet' is explained in section "Definitions".

[3] The product status of device(s) described in this document may have changed since this document was published and may differ in case of multiple devices. The latest product status information is available on the Internet at URL <http://www.nxp.com>.

### 18.2 Definitions

**Draft** — The document is a draft version only. The content is still under internal review and subject to formal approval, which may result in modifications or additions. NXP Semiconductors does not give any representations or warranties as to the accuracy or completeness of information included herein and shall have no liability for the consequences of use of such information.

**Short data sheet** — A short data sheet is an extract from a full data sheet with the same product type number(s) and title. A short data sheet is intended for quick reference only and should not be relied upon to contain detailed and full information. For detailed and full information see the relevant full data sheet, which is available on request via the local NXP Semiconductors sales office. In case of any inconsistency or conflict with the short data sheet, the full data sheet shall prevail.

**Product specification** — The information and data provided in a Product data sheet shall define the specification of the product as agreed between NXP Semiconductors and its customer, unless NXP Semiconductors and customer have explicitly agreed otherwise in writing. In no event however, shall an agreement be valid in which the NXP Semiconductors product is deemed to offer functions and qualities beyond those described in the Product data sheet.

### 18.3 Disclaimers

**Limited warranty and liability** — Information in this document is believed to be accurate and reliable. However, NXP Semiconductors does not give any representations or warranties, expressed or implied, as to the accuracy or completeness of such information and shall have no liability for the consequences of use of such information.

In no event shall NXP Semiconductors be liable for any indirect, incidental, punitive, special or consequential damages (including - without limitation - lost profits, lost savings, business interruption, costs related to the removal or replacement of any products or rework charges) whether or not such damages are based on tort (including negligence), warranty, breach of contract or any other legal theory.

Notwithstanding any damages that customer might incur for any reason whatsoever, NXP Semiconductors' aggregate and cumulative liability towards customer for the products described herein shall be limited in accordance with the *Terms and conditions of commercial sale* of NXP Semiconductors.

**Right to make changes** — NXP Semiconductors reserves the right to make changes to information published in this document, including without limitation specifications and product descriptions, at any time and without notice. This document supersedes and replaces all information supplied prior to the publication hereof.

**Suitability for use in automotive applications** — This NXP Semiconductors product has been qualified for use in automotive applications. Unless otherwise agreed in writing, the product is not designed,

authorized or warranted to be suitable for use in life support, life-critical or safety-critical systems or equipment, nor in applications where failure or malfunction of an NXP Semiconductors product can reasonably be expected to result in personal injury, death or severe property or environmental damage. NXP Semiconductors accepts no liability for inclusion and/or use of NXP Semiconductors products in such equipment or applications and therefore such inclusion and/or use is at the customer's own risk.

**Applications** — Applications that are described herein for any of these products are for illustrative purposes only. NXP Semiconductors makes no representation or warranty that such applications will be suitable for the specified use without further testing or modification.

Customers are responsible for the design and operation of their applications and products using NXP Semiconductors products, and NXP Semiconductors accepts no liability for any assistance with applications or customer product design. It is customer's sole responsibility to determine whether the NXP Semiconductors product is suitable and fit for the customer's applications and products planned, as well as for the planned application and use of customer's third party customer(s). Customers should provide appropriate design and operating safeguards to minimize the risks associated with their applications and products.

NXP Semiconductors does not accept any liability related to any default, damage, costs or problem which is based on any weakness or default in the customer's applications or products, or the application or use by customer's third party customer(s). Customer is responsible for doing all necessary testing for the customer's applications and products using NXP Semiconductors products in order to avoid a default of the applications and the products or of the application or use by customer's third party customer(s). NXP does not accept any liability in this respect.

**Limiting values** — Stress above one or more limiting values (as defined in the Absolute Maximum Ratings System of IEC 60134) will cause permanent damage to the device. Limiting values are stress ratings only and (proper) operation of the device at these or any other conditions above those given in the Recommended operating conditions section (if present) or the Characteristics sections of this document is not warranted. Constant or repeated exposure to limiting values will permanently and irreversibly affect the quality and reliability of the device.

**Terms and conditions of commercial sale** — NXP Semiconductors products are sold subject to the general terms and conditions of commercial sale, as published at <http://www.nxp.com/profile/terms>, unless otherwise agreed in a valid written individual agreement. In case an individual agreement is concluded only the terms and conditions of the respective agreement shall apply. NXP Semiconductors hereby expressly objects to applying the customer's general terms and conditions with regard to the purchase of NXP Semiconductors products by customer.

**No offer to sell or license** — Nothing in this document may be interpreted or construed as an offer to sell products that is open for acceptance or the grant, conveyance or implication of any license under any copyrights, patents or other industrial or intellectual property rights.

**Export control** — This document as well as the item(s) described herein may be subject to export control regulations. Export might require a prior authorization from competent authorities.

**Quick reference data** — The Quick reference data is an extract of the product data given in the Limiting values and Characteristics sections of this document, and as such is not complete, exhaustive or legally binding.

## 18.4 Trademarks

Notice: All referenced brands, product names, service names and trademarks are the property of their respective owners.

**I<sup>2</sup>C-bus** — logo is a trademark of NXP B.V.

## 19. Contact information

---

For more information, please visit: <http://www.nxp.com>

For sales office addresses, please send an email to: [salesaddresses@nxp.com](mailto:salesaddresses@nxp.com)

20. Contents

<b>1</b>	<b>General description</b> . . . . .	<b>1</b>	<b>14.1</b>	Quality information . . . . .	<b>46</b>
<b>2</b>	<b>Features and benefits</b> . . . . .	<b>1</b>	<b>15</b>	<b>Package outline</b> . . . . .	<b>47</b>
<b>3</b>	<b>Quick reference data</b> . . . . .	<b>2</b>	<b>16</b>	<b>Abbreviations</b> . . . . .	<b>51</b>
<b>4</b>	<b>Ordering information</b> . . . . .	<b>2</b>	<b>17</b>	<b>Revision history</b> . . . . .	<b>51</b>
<b>5</b>	<b>Block diagram</b> . . . . .	<b>3</b>	<b>18</b>	<b>Legal information</b> . . . . .	<b>52</b>
<b>6</b>	<b>Pinning information</b> . . . . .	<b>4</b>	<b>18.1</b>	Data sheet status . . . . .	<b>52</b>
6.1	Pinning . . . . .	4	<b>18.2</b>	Definitions . . . . .	52
6.2	Pin description . . . . .	6	<b>18.3</b>	Disclaimers . . . . .	52
<b>7</b>	<b>Functional description</b> . . . . .	<b>7</b>	<b>18.4</b>	Trademarks . . . . .	<b>53</b>
7.1	Start-up and shut down sequence . . . . .	7	<b>19</b>	<b>Contact information</b> . . . . .	<b>53</b>
7.2	Engine start and low voltage operation . . . . .	9	<b>20</b>	<b>Contents</b> . . . . .	<b>54</b>
7.3	Power-on reset and supply voltage spikes . . . . .	10			
7.4	Protection . . . . .	10			
7.4.1	Output protection and short-circuit protection . . . . .	10			
7.4.2	Loss-of-ground/loss of V <sub>P</sub> . . . . .	11			
7.4.3	Speaker fault detection . . . . .	12			
7.4.4	Overvoltage warning and load dump protection . . . . .	12			
7.4.5	Thermal pre-warning and thermal protection . . . . .	13			
7.5	Diagnostics . . . . .	13			
7.5.1	Start-up diagnostics with DC load detection . . . . .	14			
7.5.2	DC offset detection . . . . .	17			
7.5.3	AC load detection . . . . .	18			
7.5.4	Distortion clip detection . . . . .	20			
7.6	Line driver mode and low gain mode . . . . .	20			
7.7	I <sup>2</sup> C-bus, legacy mode and address select pin . . . . .	21			
7.7.1	Address select (pin ADSEL) . . . . .	21			
7.7.2	Legacy mode (R <sub>ADSEL</sub> < 470 W) . . . . .	21			
7.7.3	I <sup>2</sup> C-bus mode . . . . .	21			
7.7.4	I <sup>2</sup> C-bus diagnostic bits read-out/cleared after read . . . . .	21			
7.8	Amplifier combined with a DC-to-DC converter . . . . .	22			
<b>8</b>	<b>I<sup>2</sup>C-bus specification</b> . . . . .	<b>22</b>			
8.1	I <sup>2</sup> C-bus instruction bytes . . . . .	23			
8.2	I <sup>2</sup> C-bus data bytes . . . . .	27			
<b>9</b>	<b>Limiting values</b> . . . . .	<b>31</b>			
<b>10</b>	<b>Thermal characteristics</b> . . . . .	<b>32</b>			
<b>11</b>	<b>Characteristics</b> . . . . .	<b>32</b>			
<b>12</b>	<b>Performance diagrams</b> . . . . .	<b>39</b>			
<b>13</b>	<b>Application information</b> . . . . .	<b>44</b>			
13.1	Application PCB layout . . . . .	45			
13.2	Beep input . . . . .	46			
13.3	Clip detection on pin STB . . . . .	46			
<b>14</b>	<b>Test information</b> . . . . .	<b>46</b>			

Please be aware that important notices concerning this document and the product(s) described herein, have been included in section 'Legal information'.

© NXP B.V. 2011. All rights reserved.

For more information, please visit: <http://www.nxp.com>  
 For sales office addresses, please send an email to: [salesaddresses@nxp.com](mailto:salesaddresses@nxp.com)

Date of release: 13 December 2011  
 Document identifier: TDF8541