

NCS5651MNSGEVB

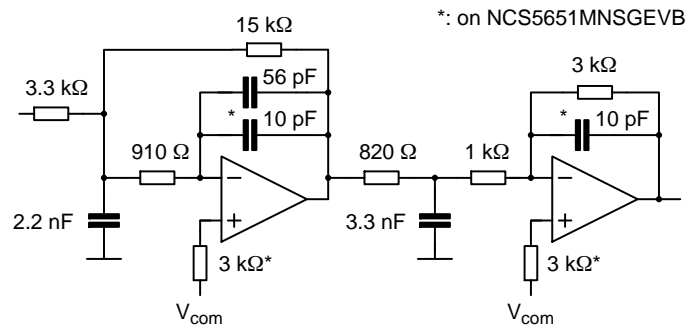


Figure 2. Recommended Transmission Filter for PLC with PL110 Carrier Frequencies

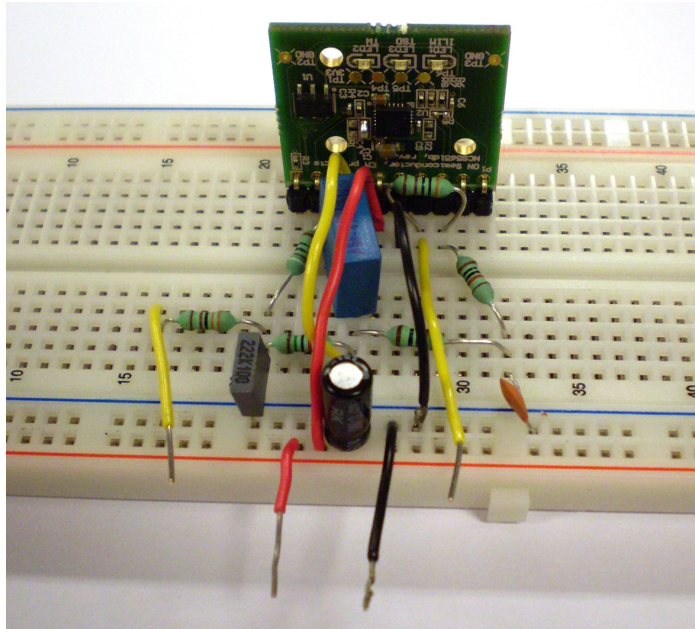


Figure 3. The Schematic of Figure 2 Built on Breadboard with an NCS5651MNSGEVB

Application Ideas

The size and header of the evaluation board make it perfectly suited for breadboarding. For instance, Figure 2 shows the recommended transmission filter for PLC S-FSK* with the PL110 carrier frequencies (105 and 115 kHz). This schematic is easily realized on breadboard (Figure 3).

Some applications require a lower copper-to-ambient thermal resistance (R_{CuA}) to improve line driver cooling. The board design makes it possible to fit a heat sink on the bottom side: solder mask openings and mounting holes are foreseen.

The heat sink can be mounted with thermally conducting adhesive tape (Figure 4). For more information on cooling, refer to [1, 4].

Fischer Elektronik ICK SMD B 19 SA is recommended. It may be obtained through Farnell (ref. 4302266) or Newark (ref. 34M6437).

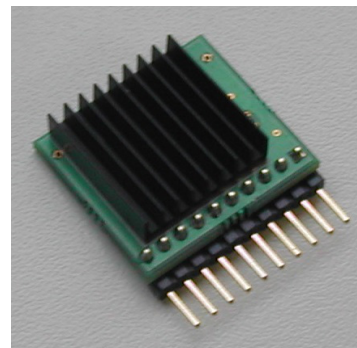


Figure 4. Adding a Heat Sink to Improve Cooling

*Spread-frequency shift keying (S-FSK) is a modulation scheme widely used in power line communication (PLC). It combines simplicity (and thus allows a low cost implementation) with good resilience.

NCS5651MNSGEVB

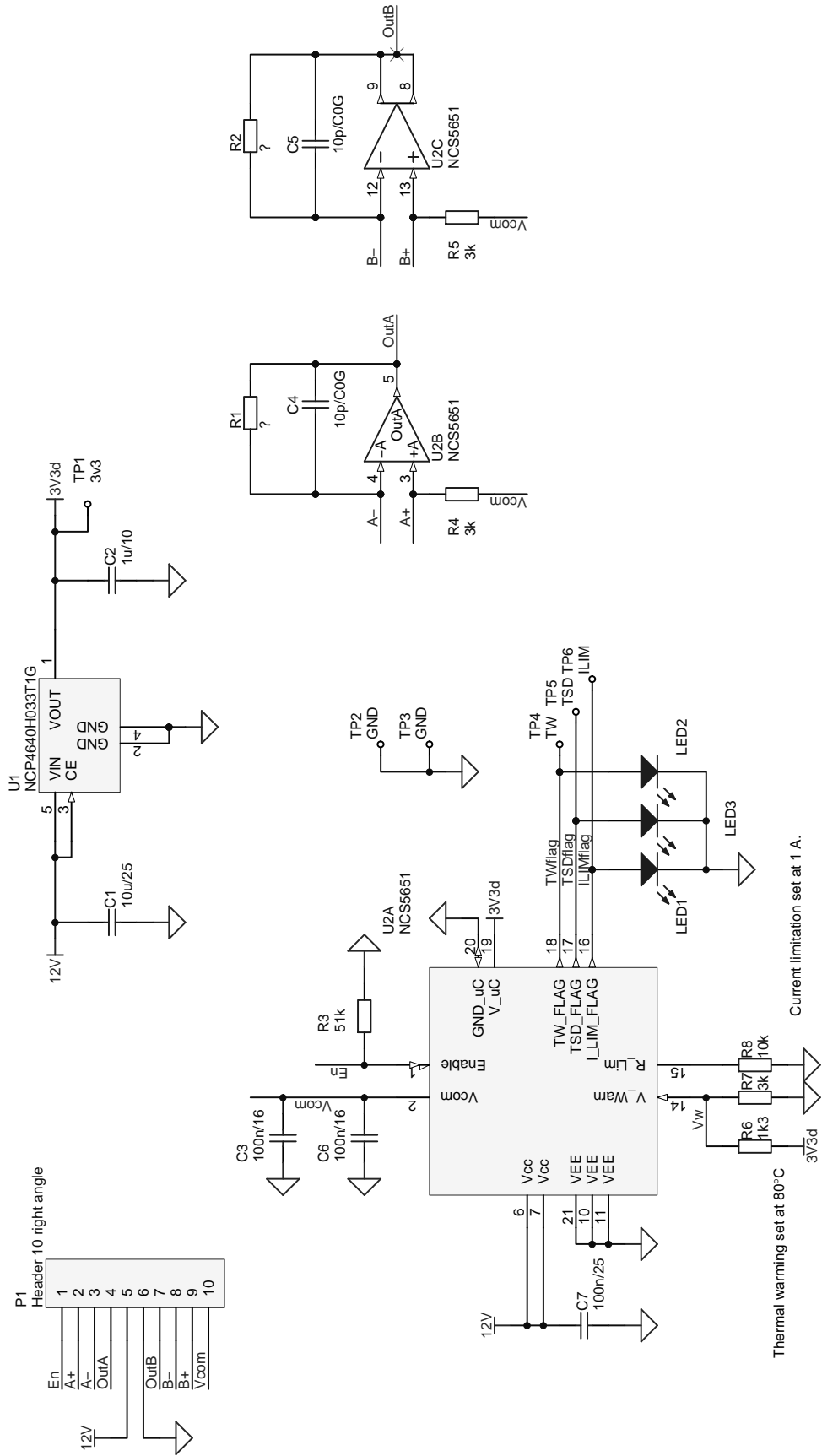



Figure 5. NCS5651MNSGEVB Schematic

NCS5651MNSGEVB

References

- [1] ON Semiconductor. Evaluation kit for power-line communication user manual, December 2014.
- [2] ON Semiconductor. Getting started with power line communication (application note AND9165/D), June 2014. Online at www.onsemi.com/pub_link/Collateral/AND9165-D.PDF
- [3] ON Semiconductor. NCS5651 2 Amp PLC line driver datasheet, December 2014. Online at www.onsemi.com/pub_link/Collateral/NCS5651-D.PDF
- [4] ON Semiconductor, Roger Stout. Thermal considerations for the NCS5651 (application note AND8402/D), August 2014. Online at www.onsemi.com/pub_link/Collateral/AND8402-D.PDF

ON Semiconductor and the  are registered trademarks of Semiconductor Components Industries, LLC (SCILLC) or its subsidiaries in the United States and/or other countries. SCILLC owns the rights to a number of patents, trademarks, copyrights, trade secrets, and other intellectual property. A listing of SCILLC's product/patent coverage may be accessed at www.onsemi.com/site/pdf/Patent-Marking.pdf. SCILLC reserves the right to make changes without further notice to any products herein. SCILLC makes no warranty, representation or guarantee regarding the suitability of its products for any particular purpose, nor does SCILLC assume any liability arising out of the application or use of any product or circuit, and specifically disclaims any and all liability, including without limitation special, consequential or incidental damages. "Typical" parameters which may be provided in SCILLC data sheets and/or specifications can and do vary in different applications and actual performance may vary over time. All operating parameters, including "Typicals" must be validated for each customer application by customer's technical experts. SCILLC does not convey any license under its patent rights nor the rights of others. SCILLC products are not designed, intended, or authorized for use as components in systems intended for surgical implant into the body, or other applications intended to support or sustain life, or for any other application in which the failure of the SCILLC product could create a situation where personal injury or death may occur. Should Buyer purchase or use SCILLC products for any such unintended or unauthorized application, Buyer shall indemnify and hold SCILLC and its officers, employees, subsidiaries, affiliates, and distributors harmless against all claims, costs, damages, and expenses, and reasonable attorney fees arising out of, directly or indirectly, any claim of personal injury or death associated with such unintended or unauthorized use, even if such claim alleges that SCILLC was negligent regarding the design or manufacture of the part. SCILLC is an Equal Opportunity/Affirmative Action Employer. This literature is subject to all applicable copyright laws and is not for resale in any manner.

PUBLICATION ORDERING INFORMATION

LITERATURE FULFILLMENT:

Literature Distribution Center for ON Semiconductor
P.O. Box 5163, Denver, Colorado 80217 USA
Phone: 303-675-2175 or 800-344-3860 Toll Free USA/Canada
Fax: 303-675-2176 or 800-344-3867 Toll Free USA/Canada
Email: orderlit@onsemi.com

N. American Technical Support: 800-282-9855 Toll Free
USA/Canada
Europe, Middle East and Africa Technical Support:
Phone: 421 33 790 2910
Japan Customer Focus Center
Phone: 81-3-5817-1050

ON Semiconductor Website: www.onsemi.com
Order Literature: <http://www.onsemi.com/orderlit>
For additional information, please contact your local
Sales Representative