

# MC10H680, MC100H680

## 4-Bit Differential ECL Bus to TTL Bus Transceiver

### Description

The MC10H/100H680 is a dual supply 4-bit differential ECL bus to TTL bus transceiver. It is designed to allow the system designer to no longer be limited in bus speed associated with standard TTL busses. Using a differential ECL Bus will increase the frequency of operation and increase noise immunity.

Both the TTL and the ECL ports are capable of driving a bus. The ECL outputs have the ability to drive  $25 \Omega$ , allowing both ends of the bus line to be terminated in the characteristic impedance of  $50 \Omega$ . The TTL outputs are specified to source 15 mA and sink 48 mA, allowing the ability to drive highly capacitive loads.

The ECL output levels are  $V_{OH}$  approximately equal to  $-1.0 \text{ V}$  and  $V_{OL}$  cutoff equal to  $-2.0 \text{ V}$  ( $V_{TT}$ ). When the ECL ports are disabled both  $EIOx$  and  $EIOxB$  go to the  $V_{OL}$  cutoff level. The ECL input receivers have special circuitry which detects this disabled condition, prevents oscillation, and forces the TTL output to the low state. The noise margin in this disabled state is greater than 600 mV. Multiple ECL  $V_{CCO}$  pins are utilized to minimize switching noise.

The TTL ports have standard levels. The TTL input receivers have PNP input devices to significantly reduce loading. Multiple TTL power and ground pins are utilized to minimize switching noise.

The control pins (EDIR and ECEB) of the 10H version is compatible with MECL 10H™ ECL logic levels. The control pins of the 100H version are compatible with 100K levels.

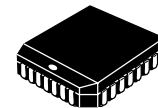
### Features

- Differential ECL Bus ( $25 \Omega$ ) I/O Ports
- High Drive TTL Bus I/O Ports
- Extra TTL and ECL Power/Ground Pins to Minimize Switching Noise
- Dual Supply
- Direction and Chip Enable Control Pins
- Pb-Free Packages are Available\*



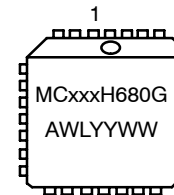
ON Semiconductor®

<http://onsemi.com>



PLCC-28  
FN SUFFIX  
CASE 776

### MARKING DIAGRAM\*



xxx	= 10 or 100
A	= Assembly Location
WL	= Wafer Lot
YY	= Year
WW	= Work Week
G	= Pb-Free Package

\*For additional marking information, refer to Application Note AND8002/D.

### ORDERING INFORMATION

See detailed ordering and shipping information in the package dimensions section on page 8 of this data sheet.

\*For additional information on our Pb-Free strategy and soldering details, please download the ON Semiconductor Soldering and Mounting Techniques Reference Manual, SOLDERRM/D.

# MC10H680, MC100H680

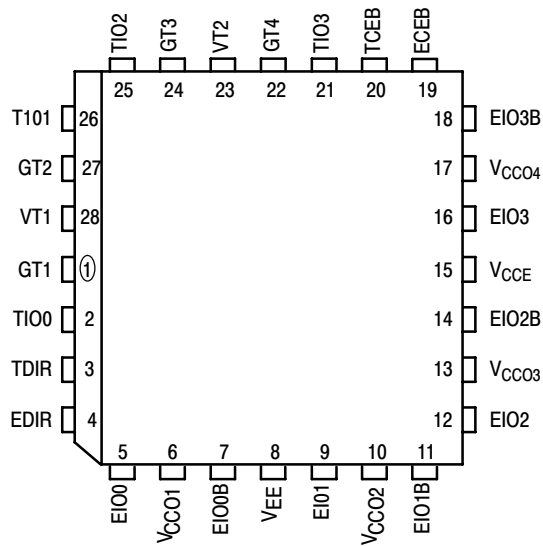


Figure 1. Pinout: PLCC-28 (Top View)

Table 1. PIN DESCRIPTIONS

Pin	Symbol	Function
1	GT1	TTL Ground 1
2	TIO0	TTL I/O Bit 0
3	TDIR	TTL Direction Control
4	EDIR	ECL Direction Control
5	EIO0	ECL I/O Bit 0
6	VCCO1	ECL V <sub>CC</sub> 1 (0 V) – Outputs
7	EIO0B	ECL I/O Bit 0 Bar
8	V <sub>EE</sub>	ECL Supply (-5.2/-4.5 V)
9	EIO1	ECL I/O Bit 1
10	VCCO2	ECL V <sub>CC</sub> 2 (0 V) – Outputs
11	EIO1B	ECL I/O Bit 1 Bar
12	EIO2	ECL I/O Bit 2
13	VCCO3	ECL V <sub>CC</sub> 3 (0 V) – Outputs
14	EIO2B	ECL I/O Bit 2 Bar
15	V <sub>CCE</sub>	ECL V <sub>CC</sub> (0 V)
16	EIO3	ECL I/O Bit 3
17	VCCO4	ECL V <sub>CC</sub> 4 (0 V) – Outputs
18	EIO3B	ECL I/O Bit 3 Bar
19	ECEB	ECL Chip Enable Bar Control
20	TCEB	TTL Chip Enable Bar Control
21	TIO3	TTL I/O Bit 3
22	GT4	TTL Ground 4
23	VT2	TTL Supply 2 (5.0 V)
24	GT3	TTL Ground 3
25	TIO2	TTL I/O Bit 2
26	TIO1	TTL I/O Bit 1
27	GT2	TTL Ground 2
28	VT1	TTL Supply 1 (5.0 V)

Table 2. TRUTH TABLE

ECEB	TCEB	EDIR	TDIR	EIN	EINB	EOUT	EOUTB	TIN	TOUT	COMMENTS
H	X	X	X	X	X	LC	LC	X	Z	ECL and TTL Outputs Disabled
X	H	X	X	X	X	LC	LC	X	Z	ECL and TTL Outputs Disabled
L	L	H	X	H	LC			NA	H	ECL to TTL Direction
L	L	H	X	LC	H			NA	L	ECL to TTL Direction
L	L	H	X	LC	LC			NA	L	ECL to TTL Direction (L-L Condition)
L	L	X	H	H	LC			NA	H	ECL to TTL Direction
L	L	X	H	LC	H			NA	L	ECL to TTL Direction
L	L	X	H	LC	LC			NA	L	ECL to TTL Direction (L-L Condition)
L	L	L	L	NA	NA	H	LC	H		TTL to ECL Direction
L	L	L	L	NA	NA	LC	H	L		TTL to ECL Direction

TDIR – Direction Control TTL Levels  
 EDIR – Direction Control ECL Levels  
 TCEB – Chip Enable Bar Control TTL Levels  
 H – HIGH  
 L – LOW  
 LC – ECL Low Cutoff (V<sub>TT</sub> = -2.0 V)  
 X – Don't Care  
 Z – High Impedance

ECEB – Chip Enable Bar Control ECL Levels  
 TIN – TTL Input  
 TOUT – TTL Output

EIN – ECL Input  
 EINB – ECL Input Bar  
 EOUT – ECL Output  
 EOUTB – ECL Output Bar

# MC10H680, MC100H680

**Table 3. MAXIMUM RATINGS**

Parameter	Symbols	Rating	Unit
Power Supply Voltage	$V_{EE}$ (ECL)	-8.0 to 0	Vdc
Power Supply Voltage	$V_{CCT}$ (TTL)	-0.5 to +7.0	Vdc
Input Voltage	$V_I$ (ECL) $V_I$ (TTL)	0.0 to $V_{EE}$ -0.5 to +7.0	Vdc
Disabled 3-State Output	$V_{out}$ (TTL)	0.0 to $V_{CCT}$	Vdc
Output Source Current Continuous	$I_{out}$ (ECL)	100	mAdc
Output Source Current Surge	$I_{out}$ (ECL)	200	mAdc
Storage Temperature	$T_{stg}$	-65 to 150	°C
Operating Temperature	$T_{amb}$	0.0 to +75	°C

Stresses exceeding Maximum Ratings may damage the device. Maximum Ratings are stress ratings only. Functional operation above the Recommended Operating Conditions is not implied. Extended exposure to stresses above the Recommended Operating Conditions may affect device reliability.

**Table 4. DC CHARACTERISTICS, ECL**  $V_{CCT} = +5.0\text{ V} \pm 10\%$ ,  $V_{EE} = -5.2 \pm 5\%$  (10H Version);  
 $V_{EE} = -4.2\text{ V to } -5.5\text{ V}$  (100H Version)

Symbol	Parameter	Condition	$T_A = 0^\circ\text{C}$		$T_A = 25^\circ\text{C}$		$T_A = 75^\circ\text{C}$		Unit
			Min	Max	Min	Max	Min	Max	
$I_{EE}$	Supply Current/ECL			-110		-110		-110	mA
$I_{INH}$	Input HIGH Current			255		175		175	$\mu\text{A}$
$I_{INL}$	Input LOW Current		0.5		0.5		0.3		$\mu\text{A}$
$V_{OH}$ $V_{OL}$	Output HIGH Voltage Output LOW Voltage	$25\ \Omega$ to $-2.1\text{ V}$	-1100 -2.1	-840 -2.03	-1100 -2.1	-810 -2.03	-1100 -2.1	-735 -2.03	mV V

NOTE: Device will meet the specifications after thermal equilibrium has been established when mounted in a test socket or printed circuit board with maintained transverse airflow greater than 500 lfm. Electrical parameters are guaranteed only over the declared operating temperature range. Functional operation of the device exceeding these conditions is not implied. Device specification limit values are applied individually under normal operating conditions and not valid simultaneously.

**Table 5. 10H DC CHARACTERISTICS (CONTROL INPUTS ONLY), ECL**  $V_{CCT} = +5.0 \pm 10\%$ ,  $V_{EE} = -5.2 \pm 5\%$

Symbol	Parameter	$T_A = 0^\circ\text{C}$		$T_A = 25^\circ\text{C}$		$T_A = 75^\circ\text{C}$		Unit
		Min	Max	Min	Max	Min	Max	
$V_{IH}$ $V_{IL}$	Input HIGH Voltage Input LOW Voltage	-1170 -1950	-840 -1480	-1130 -1950	-810 -1480	-1070 -1950	-735 -1450	mV

NOTE: Device will meet the specifications after thermal equilibrium has been established when mounted in a test socket or printed circuit board with maintained transverse airflow greater than 500 lfm. Electrical parameters are guaranteed only over the declared operating temperature range. Functional operation of the device exceeding these conditions is not implied. Device specification limit values are applied individually under normal operating conditions and not valid simultaneously.

# MC10H680, MC100H680

**Table 6. 100H DC CHARACTERISTICS (CONTROL INPUTS ONLY), ECL**  $V_{CCT} = +5.0 \pm 10\%$ ,  $V_{EE} = -4.2 \text{ V to } -5.5 \text{ V}$

Symbol	Parameter	$T_A = 0^\circ\text{C}$		$T_A = 25^\circ\text{C}$		$T_A = 75^\circ\text{C}$		Unit
		Min	Max	Min	Max	Min	Max	
$V_{IH}$	Input HIGH Voltage	-1165	-880	-1165	-880	-1165	-880	mV
$V_{IL}$	Input LOW Voltage	-1810	-1475	-1810	-1475	-1810	-1475	

NOTE: Device will meet the specifications after thermal equilibrium has been established when mounted in a test socket or printed circuit board with maintained transverse airflow greater than 500 lfpm. Electrical parameters are guaranteed only over the declared operating temperature range. Functional operation of the device exceeding these conditions is not implied. Device specification limit values are applied individually under normal operating conditions and not valid simultaneously.

**Table 7. DC CHARACTERISTICS, TTL**  $V_{CCT} = +5.0 \text{ V} \pm 10\%$ ,  $V_{EE} = -5.2 \pm 5\%$  (10H Version);  
 $V_{EE} = -4.2 \text{ V to } -5.5 \text{ V}$  (100H Version)

Symbol	Parameter	Condition	$T_A = 0^\circ\text{C}$		$T_A = 25^\circ\text{C}$		$T_A = 75^\circ\text{C}$		Unit
			Min	Max	Min	Max	Min	Max	
$V_{IH}$	Standard Input		2.0		2.0		2.0		Vdc
$V_{IL}$	Standard Input			0.8		0.8		0.8	
$V_{IK}$	Input Clamp	$I_{IN} = -18 \text{ mA}$		-1.2		-1.2		-1.2	Vdc
$V_{OH}$	Output HIGH Voltage	$I_{OH} = -3.0 \text{ mA}$	2.5		2.5		2.5		V
	Output HIGH Voltage	$I_{OH} = -15 \text{ mA}$	2.0		2.0		2.0		
$V_{OL}$	Output LOW Voltage	$I_{OL} = 48 \text{ mA}$		0.55		0.55		0.55	V
$I_{IH}^*$	TTL (Input HIGH)	$V_{in} = 2.7 \text{ V}$		20		20		20	$\mu\text{A}$
	TTL (Input HIGH)	$V_{in} = 7.0 \text{ V}$		100		100		100	
$I_{IL}^*$	TTL (Input LOW)	$V_{in} = 0.5 \text{ V}$		-0.6		-0.6		-0.6	mA
$I_{CCL}$	Supply Current			75		75		75	mA
$I_{CCH}$	Supply Current			70		70		70	mA
$I_{CCZ}$	Supply Current			70		70		70	mA
$I_{OS}$	Output Short Circuit Current	$V_{OUT} = 0 \text{ V}$	-100	-225	-100	-225	-100	-225	mA

NOTE: Device will meet the specifications after thermal equilibrium has been established when mounted in a test socket or printed circuit board with maintained transverse airflow greater than 500 lfpm. Electrical parameters are guaranteed only over the declared operating temperature range. Functional operation of the device exceeding these conditions is not implied. Device specification limit values are applied individually under normal operating conditions and not valid simultaneously.

\*TTL Control Inputs only

**Table 8. DC (I/O CHARACTERISTICS ONLY), TTL**

Symbol	Parameter	Condition	$T_A = 0^\circ\text{C}$		$T_A = 25^\circ\text{C}$		$T_A = 75^\circ\text{C}$		Unit
			Min	Max	Min	Max	Min	Max	
$I_{IH}/I_{OZH}$	Output Disable	$V_{OUT} = 2.7 \text{ V}$		70		70		70	$\mu\text{A}$
$I_{IL}/I_{OZL}$	Current	$V_{OUT} = 0.5 \text{ V}$		200		200		200	

NOTE: Device will meet the specifications after thermal equilibrium has been established when mounted in a test socket or printed circuit board with maintained transverse airflow greater than 500 lfpm. Electrical parameters are guaranteed only over the declared operating temperature range. Functional operation of the device exceeding these conditions is not implied. Device specification limit values are applied individually under normal operating conditions and not valid simultaneously.

# MC10H680, MC100H680

**Table 9. ECL TO TTL DIRECTION / AC TEST**

Symbol	Parameter	Waveforms	Condition	T <sub>A</sub> = 0°C		T <sub>A</sub> = 25°C		T <sub>A</sub> = 75°C		Unit
				Min	Max	Min	Max	Min	Max	
t <sub>PLH</sub> t <sub>PHL</sub>	Propagation Delay to Output	2, 4	C <sub>L</sub> = 50 pF	2.7	4.8	2.7	4.8	2.7	4.8	ns
t <sub>PZH</sub> t <sub>PZL</sub>	ECEB to Output Enable Time	2, 5, 6	C <sub>L</sub> = 50 pF	3.5 3.5	6.5 6.0	3.5 3.5	6.5 6.0	3.7 3.7	6.7 6.4	ns
t <sub>PHZ</sub> t <sub>PLZ</sub>	ECEB to Output Disable Time	2, 5, 6	C <sub>L</sub> = 50 pF	3.5 3.5	8.6 6.5	3.5 3.5	8.6 6.5	3.7 3.7	8.8 7.3	ns
t <sub>PZH</sub> t <sub>PZL</sub>	TCEB to Output Enable Time	2, 5, 6	C <sub>L</sub> = 50 pF	5.7 5.4	7.7 6.9	5.7 5.4	7.7 6.9	5.9 5.9	7.9 7.4	ns
t <sub>PHZ</sub> t <sub>PLZ</sub>	TCEB to Output Disable Time	2, 5, 6	C <sub>L</sub> = 50 pF	4.0 4.0	8.5 5.8	4.1 4.2	8.4 6.0	4.2 4.7	8.3 6.5	ns
t <sub>r</sub> /t <sub>f</sub>	1.0 to 2.0 Vdc	3	C <sub>L</sub> = 50 pF	0.4	1.5	0.4	1.5	0.4	1.5	ns

NOTE: Device will meet the specifications after thermal equilibrium has been established when mounted in a test socket or printed circuit board with maintained transverse airflow greater than 500 lfpm. Electrical parameters are guaranteed only over the declared operating temperature range. Functional operation of the device exceeding these conditions is not implied. Device specification limit values are applied individually under normal operating conditions and not valid simultaneously.

**Table 10. TTL TO ECL DIRECTION / AC TEST**

Symbol	Parameter	Waveforms	Condition	T <sub>A</sub> = 0°C		T <sub>A</sub> = 25°C		T <sub>A</sub> = 75°C		Unit
				Min	Max	Min	Max	Min	Max	
t <sub>PLH</sub> t <sub>PHL</sub>	Propagation Delay to Output	1, 4	25 Ω to -2.0 V	1.8	4.6	1.8	4.6	2.0	4.9	ns
t <sub>PLH</sub> t <sub>PHL</sub>	ECEB to Output	1, 4	25 Ω to -2.0 V	2.9	5.1	3.0	5.2	3.4	5.7	ns
t <sub>PLH</sub> t <sub>PHL</sub>	TCEB to Output	1, 4	25 Ω to -2.0 V	3.4	6.3	3.5	6.6	3.8	7.4	ns
t <sub>r</sub> /t <sub>f</sub>	Output Rise/Fall Time 20% - 80%	1, 3	25 Ω to -2.0 V	1.0	3.4	1.0	3.4	1.0	3.4	ns

NOTE: Device will meet the specifications after thermal equilibrium has been established when mounted in a test socket or printed circuit board with maintained transverse airflow greater than 500 lfpm. Electrical parameters are guaranteed only over the declared operating temperature range. Functional operation of the device exceeding these conditions is not implied. Device specification limit values are applied individually under normal operating conditions and not valid simultaneously.

# MC10H680, MC100H680

## CONTROL INPUTS

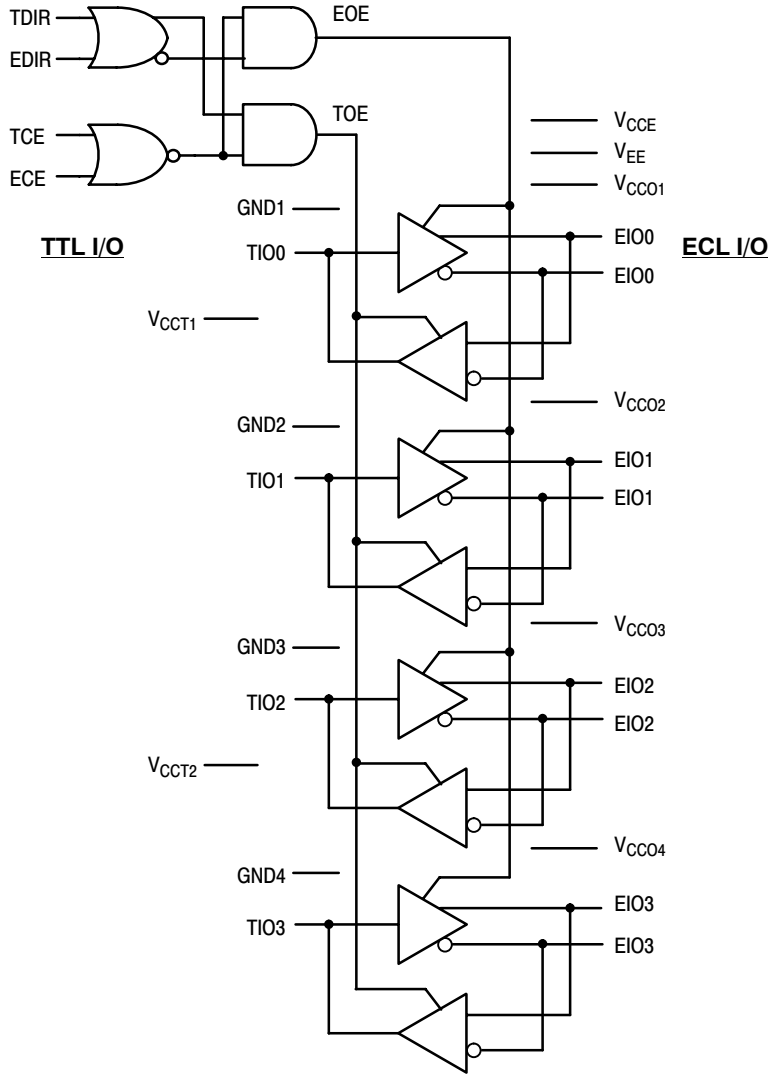


Figure 2. Block Diagram

## SWITCHING CIRCUIT

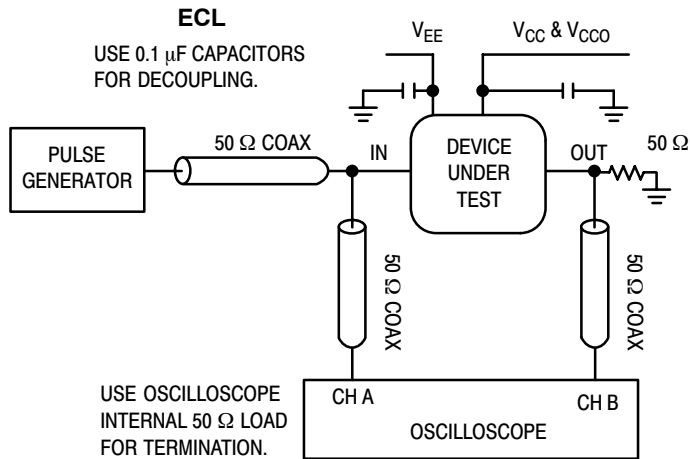


Figure 3. Switching Circuit ECL

## TTL

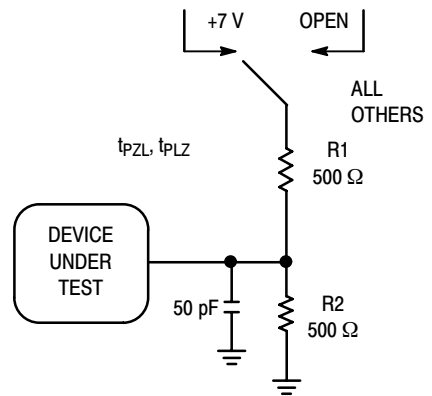


Figure 4.

# MC10H680, MC100H680

## WAVEFORMS

ECL/TTL

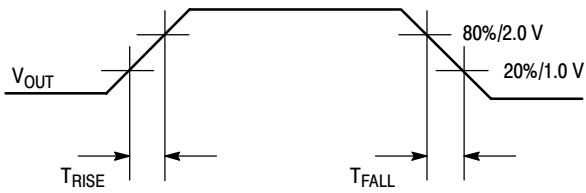


Figure 5. WAVEFORMS: Rise and Fall Times

ECL/TTL

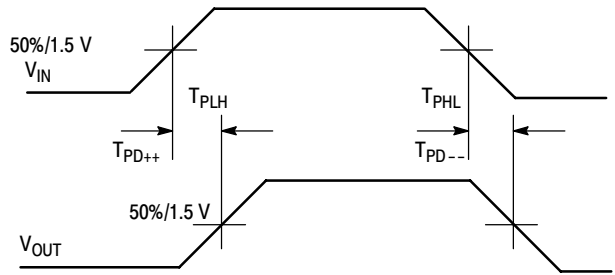


Figure 6. Propagation Delay – Single Ended

TTL

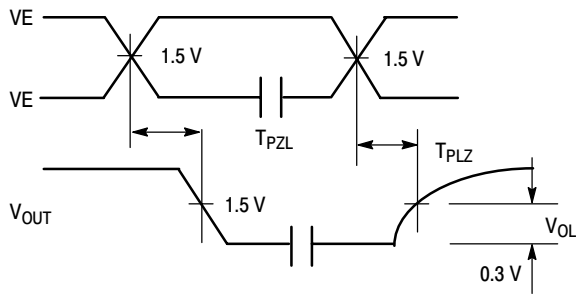


Figure 7. 3-State Output Low Enable and Disable Times

TTL

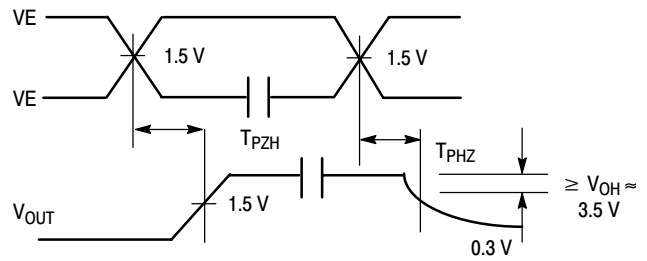


Figure 8. 3-State Output High Enable and Disable Times

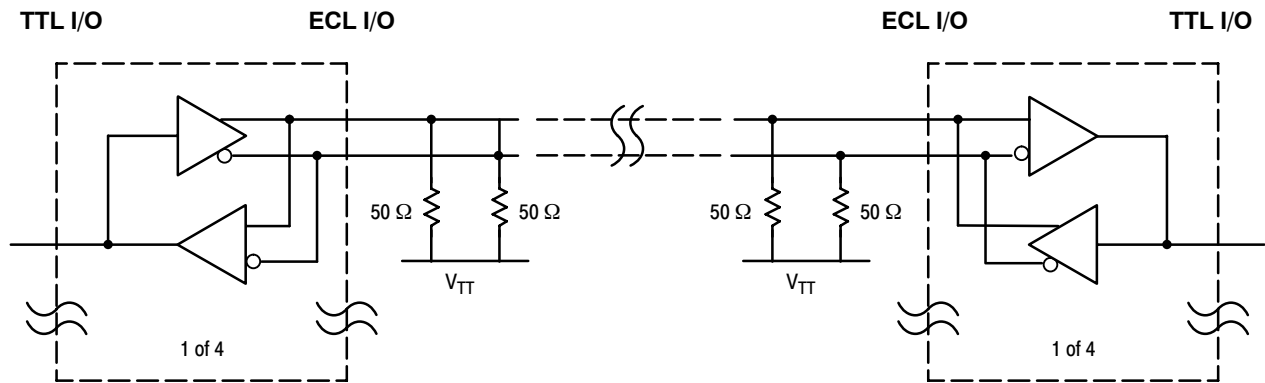


Figure 9. ECL I/O Link Application Recommended Termination  
(Directional Control Intentionally Excluded)

## MC10H680, MC100H680

### ORDERING INFORMATION

Device	Package	Shipping†
MC10H680FN	PLCC-28	37 Units / Rail
MC10H680FNG	PLCC-28 (Pb-Free)	37 Units / Rail
MC10H680FNR2	PLCC-28	500 / Tape & Reel
MC10H680FNR2G	PLCC-28 (Pb-Free)	500 / Tape & Reel
MC100H680FN	PLCC-28	37 Units / Rail
MC100H680FNG	PLCC-28 (Pb-Free)	37 Units / Rail

†For information on tape and reel specifications, including part orientation and tape sizes, please refer to our Tape and Reel Packaging Specifications Brochure, BRD8011/D.

### Resource Reference of Application Notes

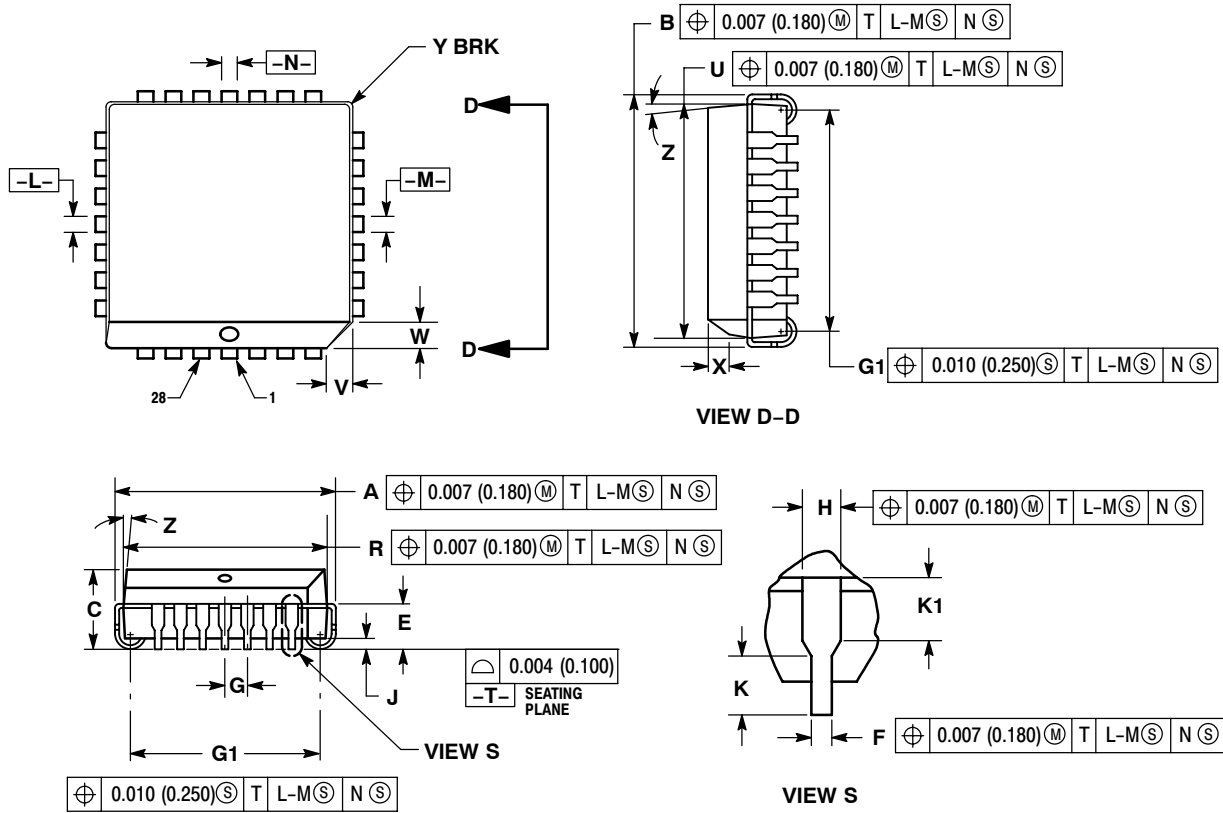
- AN1405/D** - ECL Clock Distribution Techniques
- AN1406/D** - Designing with PECL (ECL at +5.0 V)
- AN1503/D** - ECLinPS™ I/O SPiCE Modeling Kit
- AN1504/D** - Metastability and the ECLinPS Family
- AN1568/D** - Interfacing Between LVDS and ECL
- AN1672/D** - The ECL Translator Guide
- AND8001/D** - Odd Number Counters Design
- AND8002/D** - Marking and Date Codes
- AND8020/D** - Termination of ECL Logic Devices
- AND8066/D** - Interfacing with ECLinPS
- AND8090/D** - AC Characteristics of ECL Devices



# MC10H680, MC100H680

## PACKAGE DIMENSIONS

PLCC-28  
FN SUFFIX  
PLASTIC PLCC PACKAGE  
CASE 776-02  
ISSUE E



**NOTES:**

- DATUMS -L-, -M-, AND -N- DETERMINED WHERE TOP OF LEAD SHOULDER EXITS PLASTIC BODY AT MOLD PARTING LINE.
- DIMENSION G1, TRUE POSITION TO BE MEASURED AT DATUM -T-, SEATING PLANE.
- DIMENSIONS R AND U DO NOT INCLUDE MOLD FLASH. ALLOWABLE MOLD FLASH IS 0.010 (0.250) PER SIDE.
- DIMENSIONING AND TOLERANCING PER ANSI Y14.5M, 1982.
- CONTROLLING DIMENSION: INCH.
- THE PACKAGE BOTTOM MAY BE SMALLER THAN THE PACKAGE TOP BY UP TO 0.012 (0.300). DIMENSIONS R AND U ARE DETERMINED AT THE OUTERMOST EXTREMES OF THE PLASTIC BODY EXCLUSIVE OF MOLD FLASH, TIE BAR BURRS, GATE BURRS AND INTERLEAD FLASH, BUT INCLUDING ANY MISMATCH BETWEEN THE TOP AND BOTTOM OF THE PLASTIC BODY.
- DIMENSION H DOES NOT INCLUDE DAMBAR PROTRUSION OR INTRUSION. THE DAMBAR PROTRUSION(S) SHALL NOT CAUSE THE H DIMENSION TO BE GREATER THAN 0.037 (0.940). THE DAMBAR INTRUSION(S) SHALL NOT CAUSE THE H DIMENSION TO BE SMALLER THAN 0.025 (0.635).

DIM	INCHES		MILLIMETERS	
	MIN	MAX	MIN	MAX
A	0.485	0.495	12.32	12.57
B	0.485	0.495	12.32	12.57
C	0.165	0.180	4.20	4.57
E	0.090	0.110	2.29	2.79
F	0.013	0.019	0.33	0.48
G	0.050 BSC		1.27 BSC	
H	0.026	0.032	0.66	0.81
J	0.020	---	0.51	---
K	0.025	---	0.64	---
R	0.450	0.456	11.43	11.58
U	0.450	0.456	11.43	11.58
V	0.042	0.048	1.07	1.21
W	0.042	0.048	1.07	1.21
X	0.042	0.056	1.07	1.42
Y	---	0.020	---	0.50
Z	2° 10°		2° 10°	
G1	0.410	0.430	10.42	10.92
K1	0.040	---	1.02	---

# MC10H680, MC100H680

ECLinPS is a trademark of Semiconductor Components Industries, LLC (SCILLC).  
MECL 10H is a trademark of Motorola, Inc.

**ON Semiconductor** and **ON** are registered trademarks of Semiconductor Components Industries, LLC (SCILLC). SCILLC reserves the right to make changes without further notice to any products herein. SCILLC makes no warranty, representation or guarantee regarding the suitability of its products for any particular purpose, nor does SCILLC assume any liability arising out of the application or use of any product or circuit, and specifically disclaims any and all liability, including without limitation special, consequential or incidental damages. "Typical" parameters which may be provided in SCILLC data sheets and/or specifications can and do vary in different applications and actual performance may vary over time. All operating parameters, including "Typicals" must be validated for each customer application by customer's technical experts. SCILLC does not convey any license under its patent rights nor the rights of others. SCILLC products are not designed, intended, or authorized for use as components in systems intended for surgical implant into the body, or other applications intended to support or sustain life, or for any other application in which the failure of the SCILLC product could create a situation where personal injury or death may occur. Should Buyer purchase or use SCILLC products for any such unintended or unauthorized application, Buyer shall indemnify and hold SCILLC and its officers, employees, subsidiaries, affiliates, and distributors harmless against all claims, costs, damages, and expenses, and reasonable attorney fees arising out of, directly or indirectly, any claim of personal injury or death associated with such unintended or unauthorized use, even if such claim alleges that SCILLC was negligent regarding the design or manufacture of the part. SCILLC is an Equal Opportunity/Affirmative Action Employer. This literature is subject to all applicable copyright laws and is not for resale in any manner.

## PUBLICATION ORDERING INFORMATION

### LITERATURE FULFILLMENT:

Literature Distribution Center for ON Semiconductor  
P.O. Box 5163, Denver, Colorado 80217 USA  
**Phone:** 303-675-2175 or 800-344-3860 Toll Free USA/Canada  
**Fax:** 303-675-2176 or 800-344-3867 Toll Free USA/Canada  
**Email:** [orderlit@onsemi.com](mailto:orderlit@onsemi.com)

**N. American Technical Support:** 800-282-9855 Toll Free  
USA/Canada  
**Europe, Middle East and Africa Technical Support:**  
Phone: 421 33 790 2910  
**Japan Customer Focus Center**  
Phone: 81-3-5773-3850

**ON Semiconductor Website:** [www.onsemi.com](http://www.onsemi.com)  
**Order Literature:** <http://www.onsemi.com/orderlit>  
For additional information, please contact your local  
Sales Representative