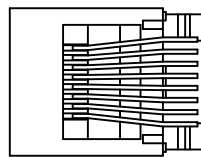
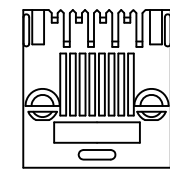
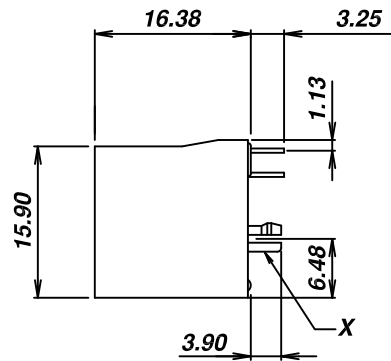
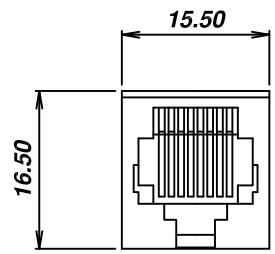


SIGN	DATE	DESCRIPTION	APPROVER
		<i>THIS IS CAD DRAWING, DO NOT REVISE MANUALLY!!!</i>	



- Material:
- Housing: PBT Glass Filled (UL 94V-0)
 - Color: Black
 - Spring Wire: 0.45mm Diameter Phosphor Bronze Gold Plating over Nickel
 - Temp. Range: -25°C/+90°C
 - Durability: 500 Mating cycles Min.
 - Soldering Temp: 245 Deg C for 5 seconds

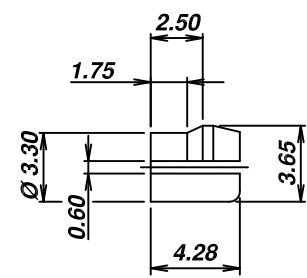
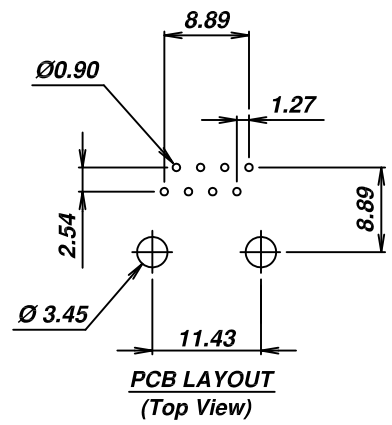


- Electrical:
- Current rating: 1.5A Max.
 - Voltage rating: 120V AC
 - Insulation Resistance: 500 MΩ Min.
 - Contact Resistance: 20mΩ Max.
 - Dielectric Voltage: 1,000 Vrms for 60 sec. min.

● Part Number
PJ012-8P8CX

Gold plating	1=6u" 2=15u" 3=30u" 4=50u"
--------------	-------------------------------

RoHS Compliant



THESE DRAWINGS AND SPECIFICATIONS ARE THE PROPERTY OF ON-SHORE TECHNOLOGY, INC. AND SHALL NOT BE REPRODUCED, COPIED OR USED IN ANY MANNER WITHOUT THE PRIOR WRITTEN CONSENT OF ON-SHORE TECHNOLOGY, INC.



TITLE		PJ012, 8 pos, 8 cont, top entry, thru hole			
PART NO.	PJ012-8P8CX	DWG NO.	PJ012-8P8CX.DWG		
APPROVED	CHECKED	DESIGNED	DRAWN	CUST NO.	Tolerance
Billy 2006.02.07	Johnn 2006.02.07	Tony 2006.02.07	Steven 2006.02.07		X.XX ±0.025 X.XXX ±0.13 X.XXXX ±0.05
				UNIT: mm	
				SCALE: NONE	
				REV: A	
				SHEET: 01/01	