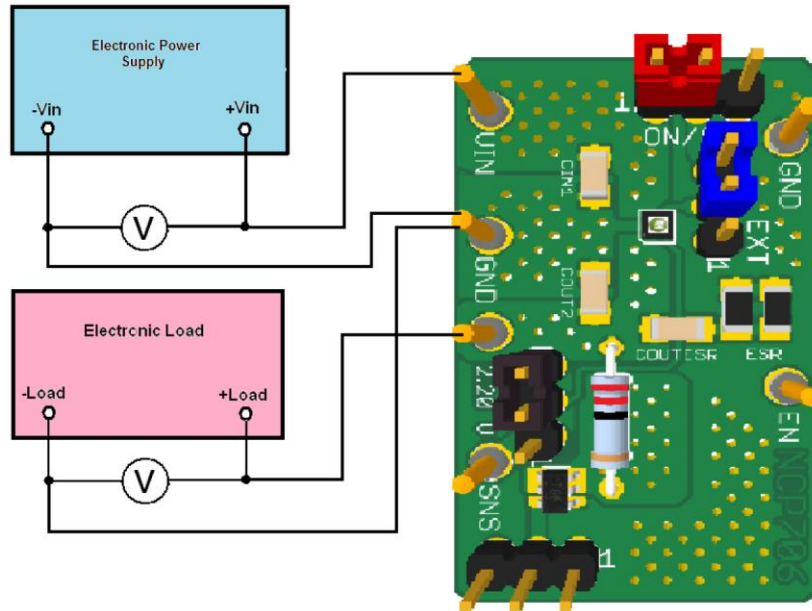




Test Procedure for the NCP706MX22TAGEVB Evaluation Board



Test procedure:

1. Check the position of jumpers and correct those if necessary in accordance with the picture above.
 - a) ON/OFF **RED**
 - b) EXT **BLUE**
 - c) SENSE **BLACK**
2. Connect the test setup as shown Figure above
3. Apply an input voltage $V_{in} = 2.5 \text{ V}$
4. Apply $I_{out} = 0 \text{ mA}$ load.
5. Check that V_{out} is $2.2 \text{ V} \pm 1\%$.
6. Increase I_{out} up to 1 A
7. Check that V_{out} is $2.2 \text{ V} \pm 1\%$.
7. Increase V_{in} up to 5.5 V and decrease the load in accordance with SOA
8. Power down the Load
9. Power down the V_{cc}
10. End of test

