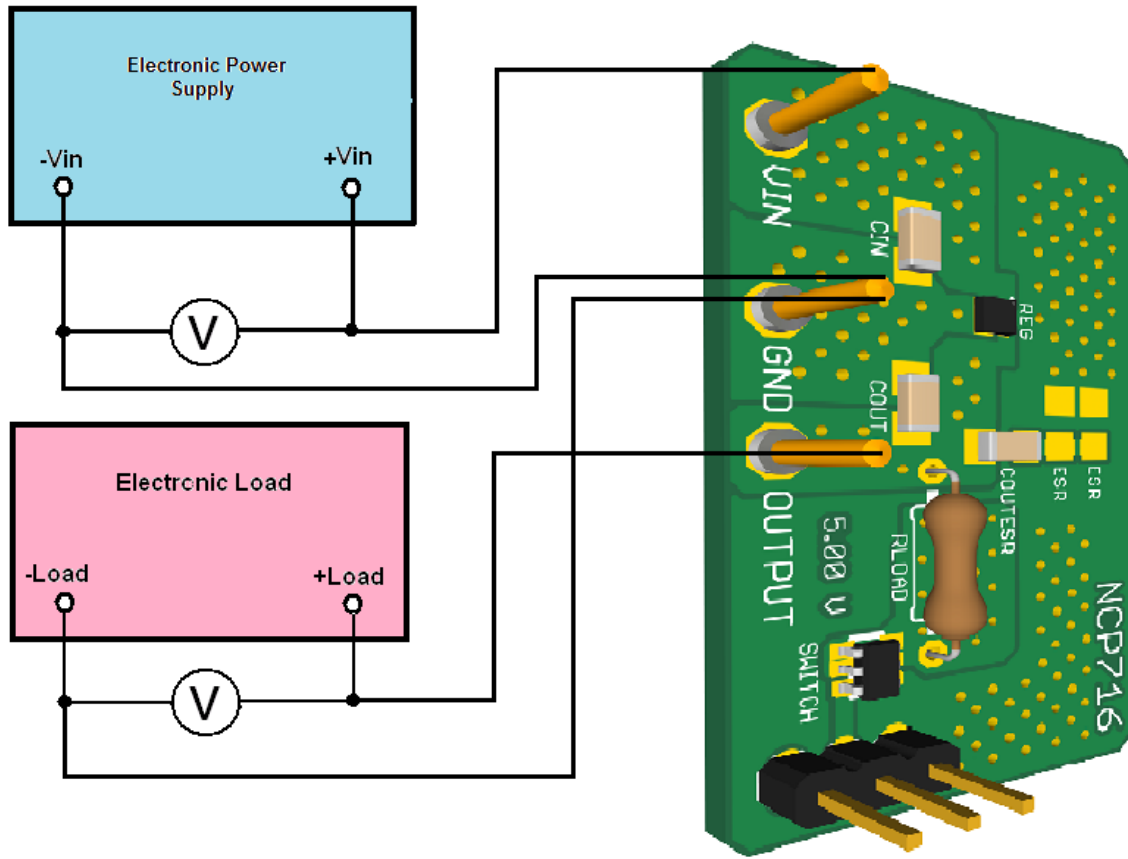




## Test Procedure for the NCP716MTTBGEVB Evaluation Board



### Test procedure:

1. Check the Voltage Version (It is mentioned next to OUTPUT terminal on the demoboard.)
2. Connect the test setup as shown Figure above
3. Apply an input voltage **V<sub>in</sub> = 6.0 V**
4. Apply I<sub>out</sub> = 0mA load.



5. Check that  $V_{out}$  is:
  - 1.2 V +/-2% for 1.2 V voltage version**
  - 1.5 V +/-2% for 1.5 V voltage version**
  - 1.8 V +/-2% for 1.8 V voltage version**
  - 2.5 V +/-2% for 2.5 V voltage version**
  - 3.0 V +/-2% for 3.0 V voltage version**
  - 3.3 V +/-2% for 3.3 V voltage version**
  - 5.0 V +/-2% for 5.0 V voltage version**
6. Increase  $I_{out}$  up to **80 mA**
7. Check that  $V_{out}$  is :
  - 1.2 V +/-2% for 1.2 V voltage version**
  - 1.5 V +/-2% for 1.5 V voltage version**
  - 1.8 V +/-2% for 1.8 V voltage version**
  - 2.5 V +/-2% for 2.5 V voltage version**
  - 3.0 V +/-2% for 3.0 V voltage version**
  - 3.3 V +/-2% for 3.3 V voltage version**
  - 5.0 V +/-2% for 5.0 V voltage version**
8. Increase  $V_{in}$  up to **24.0 V** and decrease the load in accordance with **Safe Operation Area**
9. Power down the Load
10. Power down the  $V_{cc}$
11. End of test