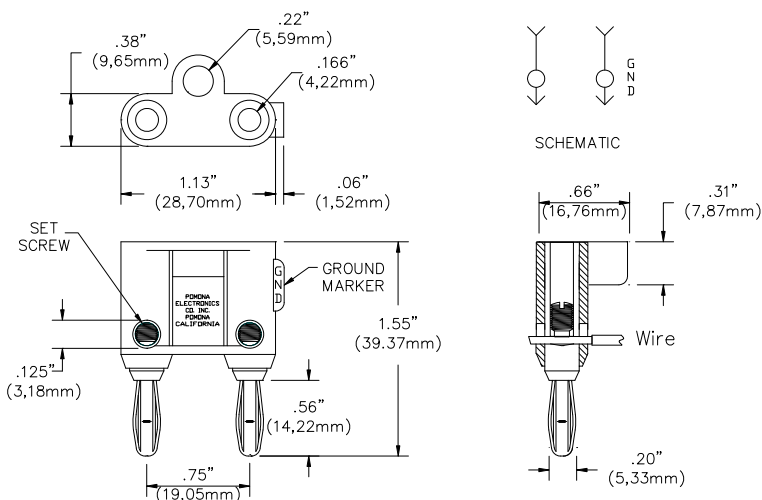


**Model MDP, 4892, & 4898  
Stackable Double Banana Plug with Cable Guide**



**Model MDP, 4892, 4898  
Stackable Double Banana Plug with Cable Guide**



**Features**

- Simplified attachment of cables or small components by means of set screws.
- For test versatility, banana plugs can be vertically stacked.
- Banana plug spring is Beryllium Copper for long insertion life.
- Model 4898 feature Polyphenylene Sulfide for high temperature operation.
- Model 4892 features gold plating for superior electrical connection.

**Materials**

- Banana Plug Body:*  
 MDP & 4898: Nickel Plated Brass  
 Model 4892: Gold Plated Brass
- Spring:*  
 MDP & 4898: Nickel Plated Beryllium Copper  
 Model 4892: Gold Plated Beryllium Copper
- Insulation:*  
 MDP & 4892: Polypropylene  
 Model 4898: Polyphenylene Sulfide
- Set Screws:* Zinc Plated Steel, 8-32 Single

**Specifications**

- Operating Voltage:**  
 Hands free usage in controlled voltage environments: 5000 Vrms maximum.  
*For CE compliance:* not intended for hand-held use at voltages above 33 Vrms/70 Vdc.
- Current:** 15 Amperes
- Operating Temperature:**  
 Model MDP & 4892: +122°F (+50°C) Max.  
 Model 4898: +302°F (+150°C) Max.

**Ordering Information**

Model: MDP-Color  
**Colors** = 0 (Black), 1 (Brown), 2 (Red), 3 (Orange), 4 (Yellow), 5 (Green), 6 (Blue), 7 (Violet), 8 (Gray), 9 (White)

Model: 4892-0 (Gold Plated, Black)  
 Model: 4892-2 (Gold Plated, Red)

Model: 4898-0 (Polyphenylene Sulfide, Black)  
 Model: 4898-6 (Polyphenylene Sulfide, Blue)

*Ordering Example: 4892-2, Gold Plated Double Banana Plug, Color: Red*

Model: 4914 (replacement set screws 100/pk)

**USA:** Sales: 800-490-2361  
 Technical Support: [technicalsupport@pomonatest.com](mailto:technicalsupport@pomonatest.com)  
 Fax: 425-446-5844  
**Europe:** 31-(0) 40 2675 150 **International:** 425-446-5500  
**Where to Buy:** [www.pomonaelectronics.com](http://www.pomonaelectronics.com)

All dimensions are in inches. Tolerances (except noted): .xx = ±.02" (.51 mm), .xxx = ±.005" (.127 mm). All specifications are to the latest revisions. Specifications are subject to change without notice. Registered trademarks are the property of their respective companies.