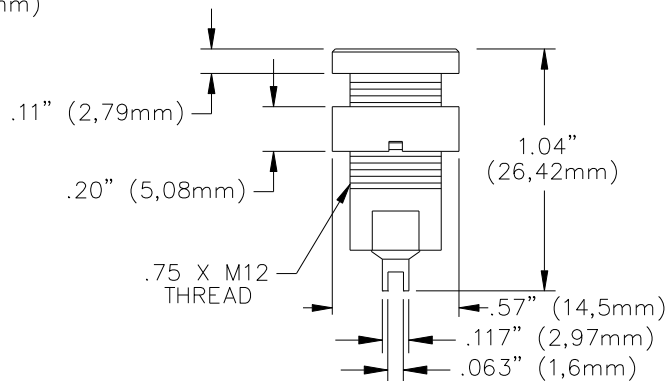
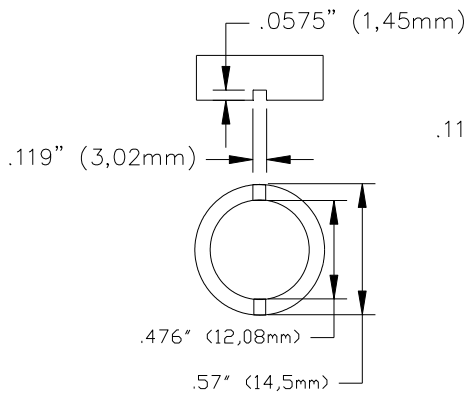
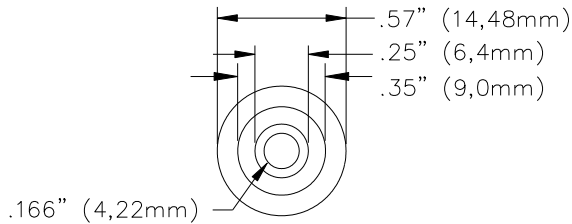


PANEL CUTOUT



**FEATURES:**

- ✓ Banana jack mates to Pomona's models 5907A, 5908A & 5909A flexible sheathed style of DMM test leads.
- ✓ Ring threads onto the insulated body to firmly secure jack to panel.
- ✓ Banana jack is gold plated for superb electrical connection.
- ✓ Recommended Panel Thickness: .28" (7,0mm)

**MATERIALS:**

Banana Jack: Gold Plated Brass  
 Insulation: Nylon  
 Locking Ring: Nickel Plated Brass

**RATING:**

Operating Voltage: Hands free usage in controlled voltage environments: 1000 Vrms maximum. *For CE compliance:* not intended for hand-held use at voltages above 33 Vrms/70 Vdc.

Current: 36 Amperes

**ORDERING INFORMATION:**

Model 5931-Color

**Color =:** 0 (Black), 2 (Red), 4 (Yellow), 5 (Green), 6 (Blue), 9 (White)

*Ordering Example: 5931-2 (Red banana jack, Sold in packs of ten)*

All dimensions are in inches. Tolerances (except noted): .xx = ±.02" (.51 mm), .xxx = ±.005" (.127 mm).  
 All specifications are to the latest revisions. Specifications are subject to change without notice.  
 Registered trademarks are the property of their respective companies.

Sales: 800-490-2361 Fax: 888-403-3360 Technical Support: 800-241-2060 (technicalsupport@pomonatest.com)  
 For "Where to Buy" information, visit the Pomona web site at [www.pomonaelectronics.com](http://www.pomonaelectronics.com)