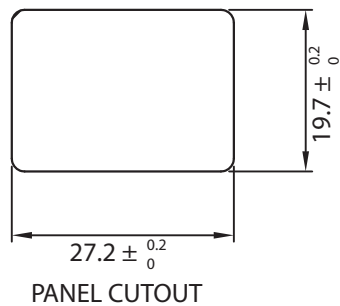
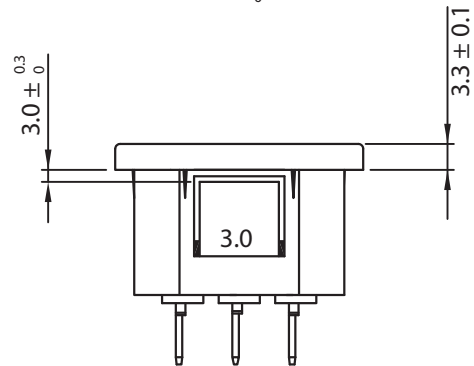
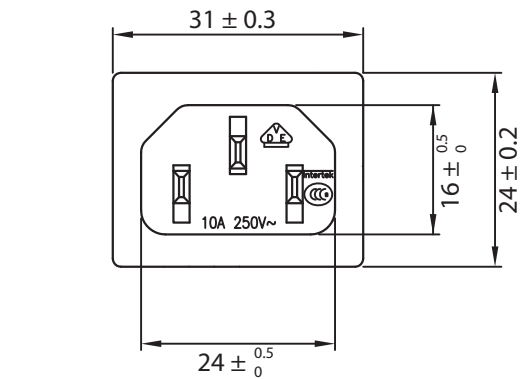
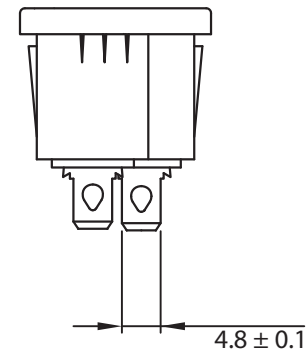
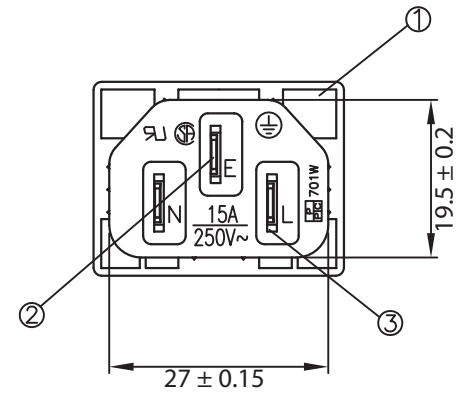


THESE DRAWINGS ARE THE PROPERTY OF QUALTEK ELECTRONICS AND NOT TO BE REPRODUCED FOR OR COMMUNICATED TO A THIRD PARTY WITHOUT THE EXPRESS WRITTEN PERMISSION OF AN OFFICER OF QUALTEK ELECTRONICS.



REVISION			
REV.	DESCRIPTION	DATE	APPROVED
B	RoHS Compliancy	06-01-06	DP
C	Updated Graphics and Approvals	12-17-15	LY



CONTROLLED

NOTES:

RATING:

UL, CSA: 15A 250V AC
 VDE, CCC: 10A 250V AC
 APPROVALS: UL, CSA, VDE, CCC
 PANEL THICKNESS: 3.0mm
 RoHS COMPLIANT

3	Contact PIN Brass Strip t=2mm Tin-Plated	2
2	Contact PIN Brass Strip t=2mm Tin-Plated	1
1	Body Insulator PC Black Color	1

Dim range (mm)	Tolerance +/- (mm)	Qualtek Electronics Corp. PPC DIVISION		
		Part Number: 701W-30/29 RoHS Compliant		
0-1	0.15	Description: AC RECEPTACLE		
1-6	0.20			
6-18	0.30		UNIT: mm	REV. C
18-50	0.50	Drawn / Date	Checked / Date	Approved / Date
50-120	0.70	B.ZHANG	04-18-02	JJH / 04-18-02
120-250	0.90			
250-500	1.20			