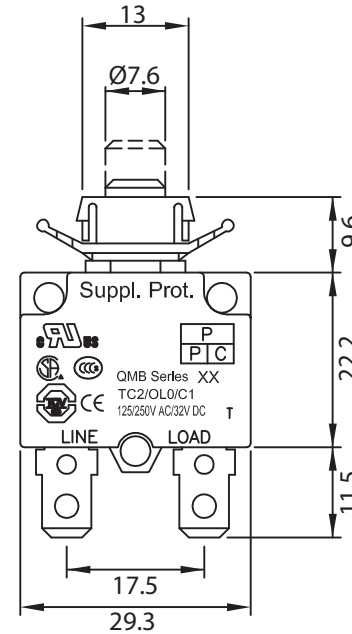
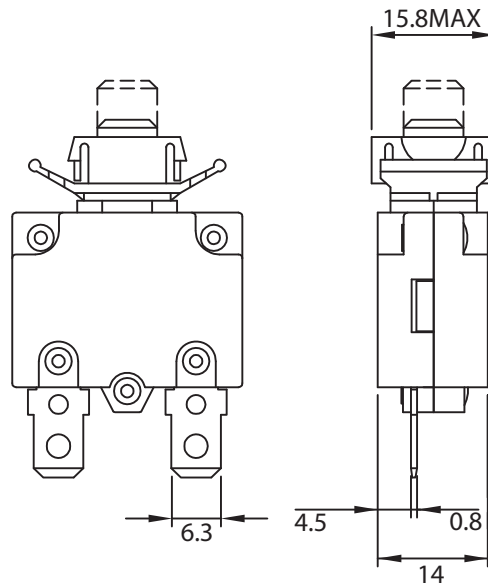
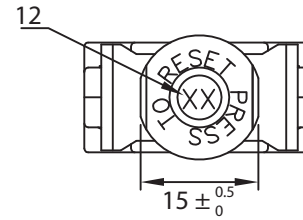
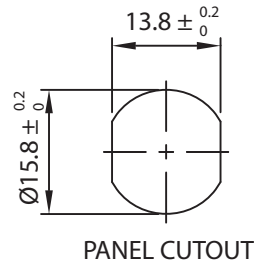


THESE DRAWINGS ARE THE PROPERTY OF QUALTEK ELECTRONICS AND NOT TO BE REPRODUCED FOR OR COMMUNICATED TO A THIRD PARTY WITHOUT THE EXPRESS WRITTEN PERMISSION OF AN OFFICER OF QUALTEK ELECTRONICS.

| REVISION | | | |
|----------|-------------|------|----------|
| REV. | DESCRIPTION | DATE | APPROVED |
| | | | |
| | | | |
| | | | |



CONTROLLED

NOTES:

RATING: 12A 125/250V AC/32V DC
 PANEL THICKNESS: 0.8mm~2.5mm
 PRINT COLOR: WHITE
 BUTTON COLOR: BLACK
 APPROVALS: UL, cUL, TUV, CCC, CE, CSA
 RoHS COMPLIANT

| Dim range (mm) | Tolerance +/- (mm) | Qualtek Electronics Corp. PPC DIVISION | | | | | | | | | | | |
|--------------------|--------------------|--|--|------------------------------|-----------------|--|--|--------------|----------------|-----------------|--------------------|----------|---------------|
| | | Part Number: QMB-123-00ENN-3BA RoHS Compliant | | Description: CIRCUIT BREAKER | | | | | | | | | |
| 0-1 | 0.15 | <table border="1" style="width: 100%;"> <tr> <td colspan="2">UNIT: mm</td> <td></td> </tr> <tr> <td>Drawn / Date</td> <td>Checked / Date</td> <td>Approved / Date</td> </tr> <tr> <td>R.Nuti 08-15-14</td> <td>08-15-14</td> <td>LY / 08-15-14</td> </tr> </table> | | | UNIT: mm | | | Drawn / Date | Checked / Date | Approved / Date | R.Nuti 08-15-14 | 08-15-14 | LY / 08-15-14 |
| UNIT: mm | | | | | | | | | | | | | |
| Drawn / Date | Checked / Date | | | | Approved / Date | | | | | | | | |
| R.Nuti 08-15-14 | 08-15-14 | | | | LY / 08-15-14 | | | | | | | | |
| 1-6 | 0.20 | | | | | | | | | | | | |
| 6-18 | 0.30 | | | | | | | | | | | | |
| 18-50 | 0.50 | | | | | | | | | | | | |
| 50-120 | 0.70 | | | | | | | | | | | | |
| 120-250 | 0.90 | | | | | | | | | | | | |
| 250-500 | 1.20 | | | | | | | | | | | | |