

DATA SHEET

SKYFR-001438: 2110 to 2170 MHz Single Junction Robust Lead Isolator

Applications

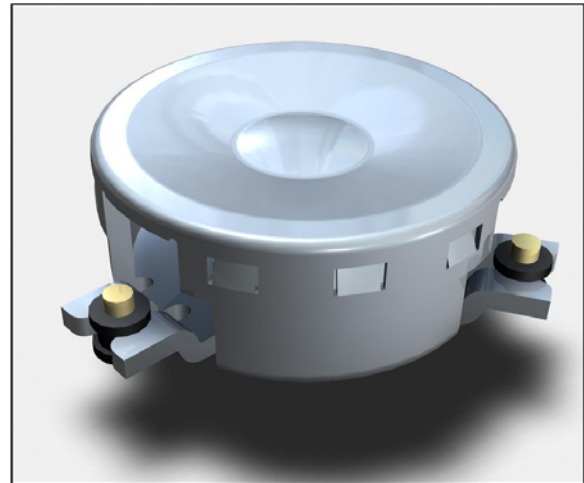
- Wireless infrastructure
- Power amplifiers

Features

- Small surface-mount package
- Operating frequency range: 2110 MHz to 2170 MHz
- BeO free
- RoHS compliant
- Parts delivered on tape and reel



Skyworks Green™ products are compliant with all applicable legislation and are halogen-free. For additional information, refer to *Skyworks Definition of Green™*, document number SQ04-0074.



Description

The SKYFR-001438 is a single-junction, surface-mount isolator designed for wireless infrastructure applications. It operates over the frequency range of 2110 MHz to 2170 MHz. Insertion loss is less than 0.25 dB over an operating temperature range of -40 °C to +90 °C.

The SKYFR-001438 comes in an industry-standard surface-mount package and is designed for automated SMT placement.

A block diagram of the SKYFR-001438 is shown in Figure 1.

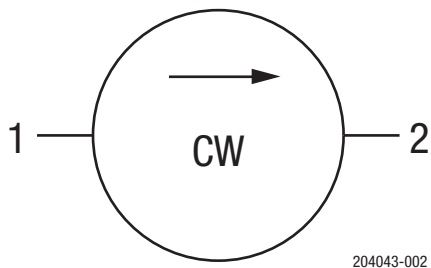


Figure 1. SKYFR-001438 Block Diagram

Electrical and Mechanical Specifications

The absolute maximum ratings of the SKYFR-001438 are provided in Table 1. Electrical specifications are provided in Table 2.

Plating information is shown in Table 3. Figure 2 shows the package dimensions and PCB footprint information. Figure 3 provides the tape and reel dimensions.

Table 1. SKYFR-001438 Absolute Maximum Ratings¹

Parameter	Symbol	Minimum	Maximum	Units
Average power	P _{AVG}		20	W
Peak power	P _{PK}		100	W
Operating temperature	T _{OP}	-10	+105	°C
Extended operating temperature	T _{EOP}	-40	+125	°C
Storage temperature	T _{STOR}	-55	+125	°C

¹ Exposure to maximum rating conditions for extended periods may reduce device reliability. There is no damage to device with only one parameter set at the limit and all other parameters set at or below their nominal value. Exceeding any of the limits listed here may result in permanent damage to the device.

Table 2. SKYFR-001438 Electrical Specifications^{1, 2}

Parameter	Symbol	Test Condition	Min	Typical	Max	Units
Frequency range	f		2110		2170	MHz
Impedance				50		Ω
Insertion loss	IL				0.20	dB
Insertion loss	IL	Over extended temperature range (-40°C to +125°C)			0.25	
Isolation	Iso		23			dB
Isolation	Iso	Over extended temperature range (-40°C to +125°C)	20			
Return loss	RL		23			dB
Return loss	RL	Over extended temperature range (-40°C to +125°C)	20			
Group delay					2.0	ns
Intermodulation distortion ³	IMD	2 x 25 W CW tones, 1 MHz spacing	+55	+65		dBc

¹ Performance is guaranteed only under the conditions listed in this table over the operating temperature range.

² Part tested on PCB-00167, 0.508mm Rogers RO4350B, trace width 1.07mm wide, 1oz copper.

³ See Skyworks Application Note, *Intermodulation Distortion Measurements of Ferrites*, document number 201537 for further details.

Table 3. SKYFR-001438 Plating Specification

Section	Base Material	Plating
Pins	Brass	Silver
Housing	Steel	Silver

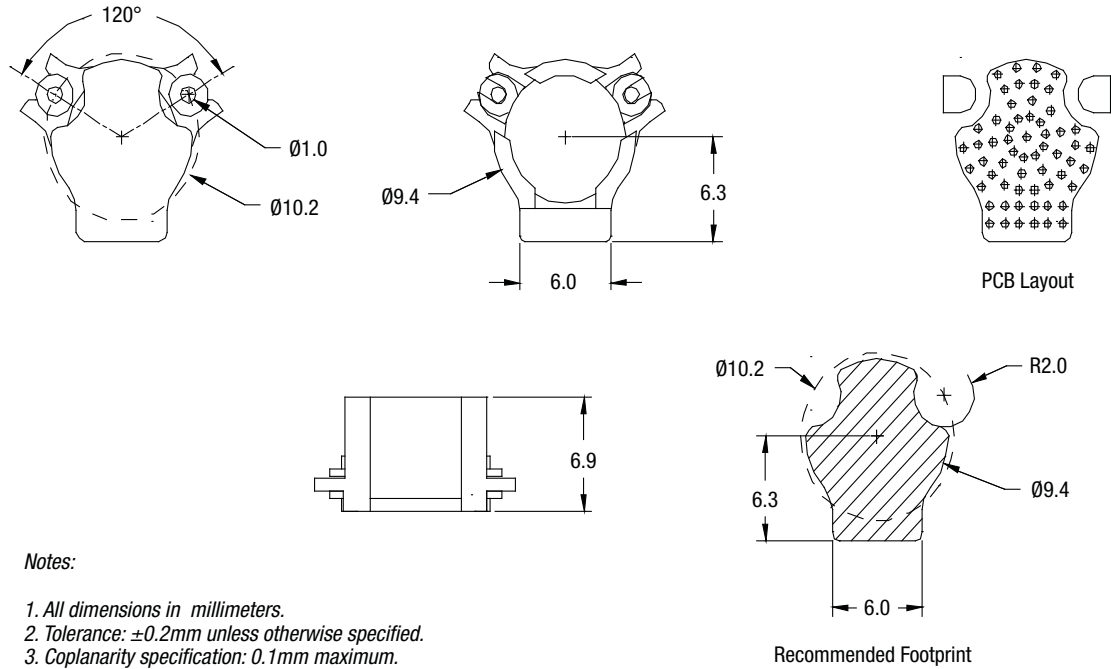
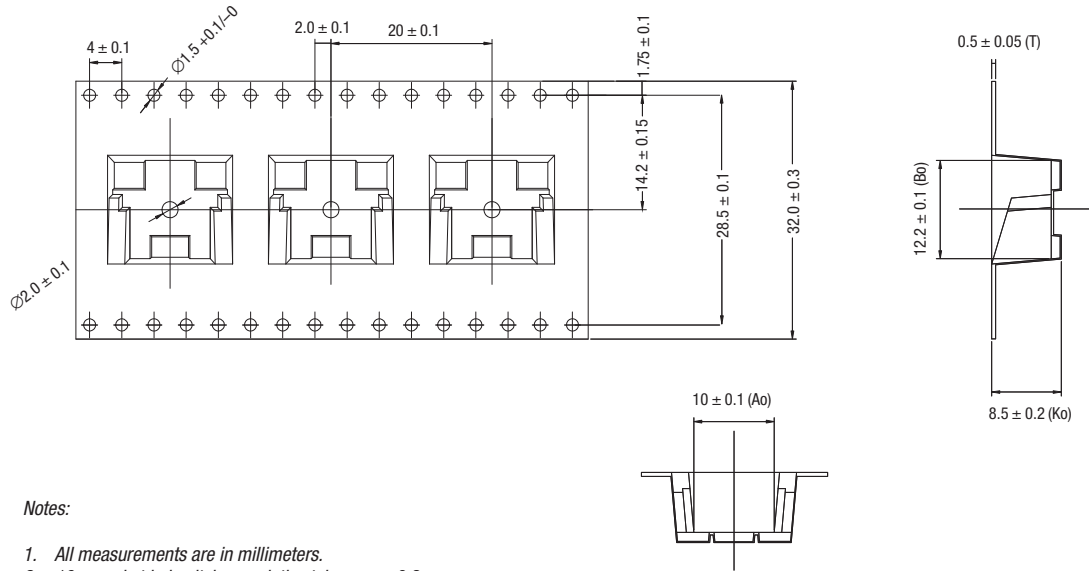


Figure 2. SKYFR-001438 Package Dimensions and PCB Footprint

DATA SHEET • SKYFR-001438: ROBUST LEAD ISOLATOR



Notes:

1. All measurements are in millimeters.
2. 10-sprocket hole pitch cumulative tolerance ± 0.2 mm.
3. Carrier camber not to exceed 1 mm in 100 mm.
4. Ao and Bo measured on a plane 0.3 mm above the bottom of the pocket.
5. Ko measured from a plane on the inside bottom of the pocket to the top surface of the carrier.
6. All dimensions meet EIA-481 requirements.
7. Material: conductive polystyrene. Must meet UP-230TM/23F/23W with surface resistivity $<10e7$.
8. Carrier tape, cover tape, and reel must meet EIA-541 spec of surface resistivity $<10e7 \Omega$.

204043-004

Figure 3. SKYFR-001438 Tape and Reel Dimensions

Ordering Information

Model Name	Manufacturing Part Number	Evaluation Board Part Number
SKYFR-001438: Single Junction Lead Isolator	SKYFR-001438	TFX-00118

Copyright © 2011, 2016 Skyworks Solutions, Inc. All Rights Reserved.

Information in this document is provided in connection with Skyworks Solutions, Inc. ("Skyworks") products or services. These materials, including the information contained herein, are provided by Skyworks as a service to its customers and may be used for informational purposes only by the customer. Skyworks assumes no responsibility for errors or omissions in these materials or the information contained herein. Skyworks may change its documentation, products, services, specifications or product descriptions at any time, without notice. Skyworks makes no commitment to update the materials or information and shall have no responsibility whatsoever for conflicts, incompatibilities, or other difficulties arising from any future changes.

No license, whether express, implied, by estoppel or otherwise, is granted to any intellectual property rights by this document. Skyworks assumes no liability for any materials, products or information provided hereunder, including the sale, distribution, reproduction or use of Skyworks products, information or materials, except as may be provided in Skyworks Terms and Conditions of Sale.

THE MATERIALS, PRODUCTS AND INFORMATION ARE PROVIDED "AS IS" WITHOUT WARRANTY OF ANY KIND, WHETHER EXPRESS, IMPLIED, STATUTORY, OR OTHERWISE, INCLUDING FITNESS FOR A PARTICULAR PURPOSE OR USE, MERCHANTABILITY, PERFORMANCE, QUALITY OR NON-INFRINGEMENT OF ANY INTELLECTUAL PROPERTY RIGHT; ALL SUCH WARRANTIES ARE HEREBY EXPRESSLY DISCLAIMED. SKYWORKS DOES NOT WARRANT THE ACCURACY OR COMPLETENESS OF THE INFORMATION, TEXT, GRAPHICS OR OTHER ITEMS CONTAINED WITHIN THESE MATERIALS. SKYWORKS SHALL NOT BE LIABLE FOR ANY DAMAGES, INCLUDING BUT NOT LIMITED TO ANY SPECIAL, INDIRECT, INCIDENTAL, STATUTORY, OR CONSEQUENTIAL DAMAGES, INCLUDING WITHOUT LIMITATION, LOST REVENUES OR LOST PROFITS THAT MAY RESULT FROM THE USE OF THE MATERIALS OR INFORMATION, WHETHER OR NOT THE RECIPIENT OF MATERIALS HAS BEEN ADVISED OF THE POSSIBILITY OF SUCH DAMAGE.

Skyworks products are not intended for use in medical, lifesaving or life-sustaining applications, or other equipment in which the failure of the Skyworks products could lead to personal injury, death, physical or environmental damage. Skyworks customers using or selling Skyworks products for use in such applications do so at their own risk and agree to fully indemnify Skyworks for any damages resulting from such improper use or sale.

Customers are responsible for their products and applications using Skyworks products, which may deviate from published specifications as a result of design defects, errors, or operation of products outside of published parameters or design specifications. Customers should include design and operating safeguards to minimize these and other risks. Skyworks assumes no liability for applications assistance, customer product design, or damage to any equipment resulting from the use of Skyworks products outside of stated published specifications or parameters.

Skyworks and the Skyworks symbol are trademarks or registered trademarks of Skyworks Solutions, Inc., in the United States and other countries. Third-party brands and names are for identification purposes only, and are the property of their respective owners. Additional information, including relevant terms and conditions, posted at www.skyworksinc.com, are incorporated by reference.