

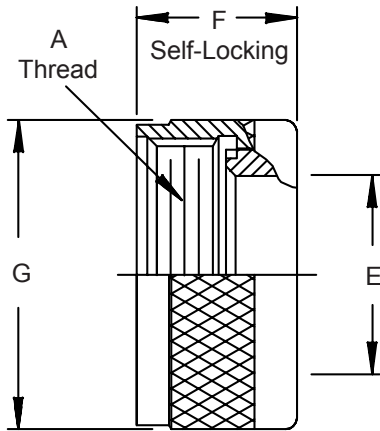
# AS85049/31, MS3416 E and M83723/15N "E" Nuts



"E" Nuts

## Glenair Connector Designator A

MIL-DTL-5015 Series 3400,  
MIL-DTL-26482 Series 2,  
AS81703 Series 3,  
MIL-DTL-83723 Series I & III,  
40M39569, DEF 5326-3,  
EN 2997, EN 3646,  
ESC 10, ESC 11, LN 29504,  
NFC93422 Series HE302,  
PAN 6432-1, PAN 6432-2,  
PATT 602



**M85049/31 S 22 N**

Basic Part No. \_\_\_\_\_  
S = Self-Locking  
Use Dash (-) for Non-Self Locking  
Finish  
A = Black Anodize  
N = Electroless Nickel  
W = 1,000 Hr. Cadmium Olive Drab Over Electroless Nickel  
Shell Size

**MS3416-10 E A**

**SUPERCEDED SPEC.**

Basic Part No. \_\_\_\_\_  
(Non-Self-Locking Only)  
Dash No. \_\_\_\_\_  
Style \_\_\_\_\_  
Material and Finish Designator  
A = Aluminum, 500 Hour Cad. Olive Drab Over Electroless Nickel  
C = Aluminum, Cadmium Olive Drab  
G = Aluminum, Black Anodize  
N = Aluminum, Electroless Nickel

**M83723/15N-10 A**

**SUPERCEDED SPEC.**

Basic Part No. \_\_\_\_\_  
(Non-Self-Locking Only)  
Dash No. \_\_\_\_\_  
Finish Designator  
A = Non-Conductive, Black Anodize  
R = Conductive, Electroless Nickel

**TABLE I**

Shell Size	A Thread Class 2B	E Dia Max	F Max	G Dia Max
3	.562 - 24 UNEF	.270 (6.9)	--	--
8	.500 - 20 UNF	.270 (6.9)	.710 (18.0)	.885 (22.5)
10	.625 - 24 UNEF	.375 (9.5)	.710 (18.0)	1.010 (25.7)
12	.750 - 20 UNEF	.511 (13.0)	.710 (18.0)	1.135 (28.8)
14	.875 - 20 UNEF	.585 (14.9)	.710 (18.0)	1.260 (32.0)
16	1.000 - 20 UNEF	.710 (18.0)	.710 (18.0)	1.385 (35.2)
18	1.062 - 18 UNEF	.789 (20.0)	.710 (18.0)	1.510 (38.4)
20	1.188 - 18 UNEF	.914 (23.2)	.710 (18.0)	1.635 (41.5)
22	1.313 - 18 UNEF	1.039 (26.4)	.710 (18.0)	1.760 (44.7)
24	1.438 - 18 UNEF	1.154 (29.3)	.710 (18.0)	1.885 (47.9)
28	1.750 - 18 UNS	1.389 (35.3)	.890 (22.6)	2.135 (54.2)
32	2.000 - 18 UNS	1.635 (41.5)	.890 (22.6)	2.395 (60.8)
36	2.250 - 16 UN	1.850 (47.0)	.890 (22.6)	2.635 (66.9)
40	2.500 - 16 UN	2.065 (52.5)	.890 (22.6)	2.885 (73.3)
44	2.750 - 16 UN	2.320 (58.9)	.890 (22.6)	3.135 (79.6)
48	3.000 - 16 UN	2.570 (65.3)	.890 (22.6)	3.385 (86.0)
61	1.500 - 18 UNEF	1.194 (30.3)	--	--

1. For complete dimensions see applicable Military Specification.
2. Metric dimensions (mm) are indicated in parentheses.