

(M) X27705  
ISSUE 1

**MICRO SWITCH**  
a Honeywell Division  
FED. MFG. CODE 91929

SWITCH - ENCLOSED

CATALOG LISTING  
1CH1-6

CATALOG LISTING  
1CH1-6

ISSUE  
M  
16

REVISIONS  
A CO-77504-A  
S A V  
12 MAR 94

DDM/CAD  
DRAWN

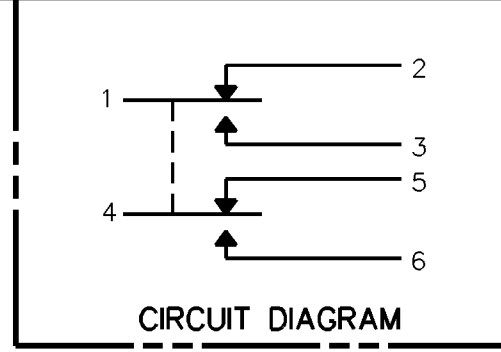
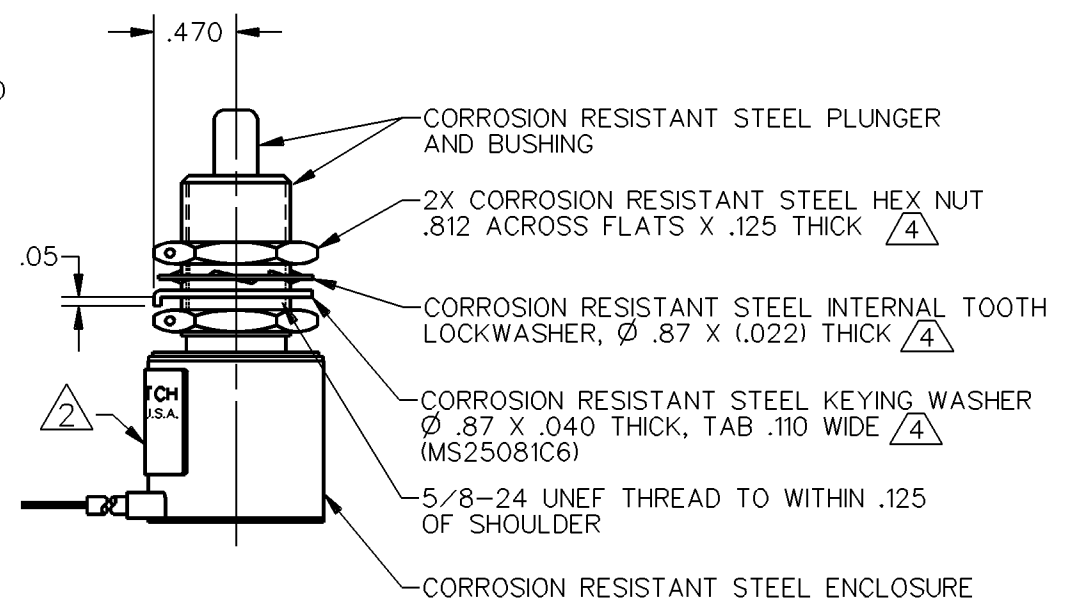
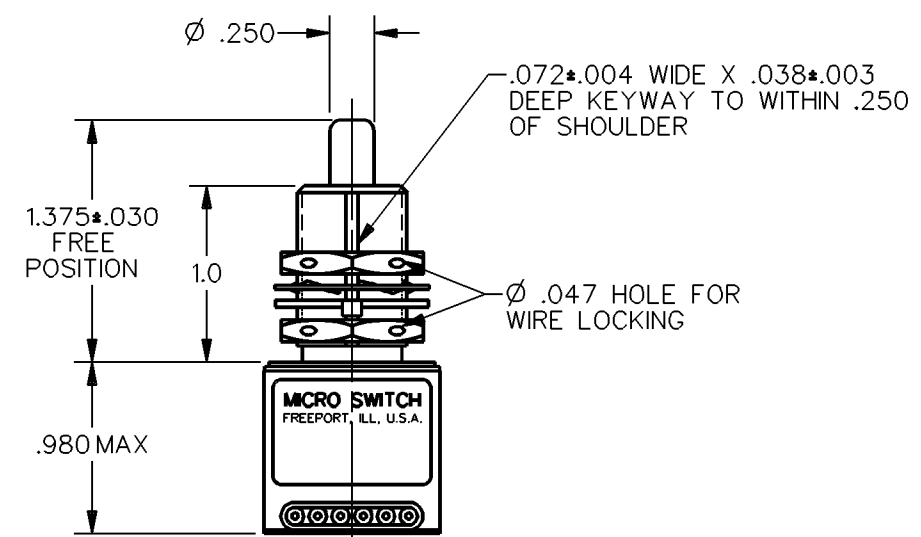
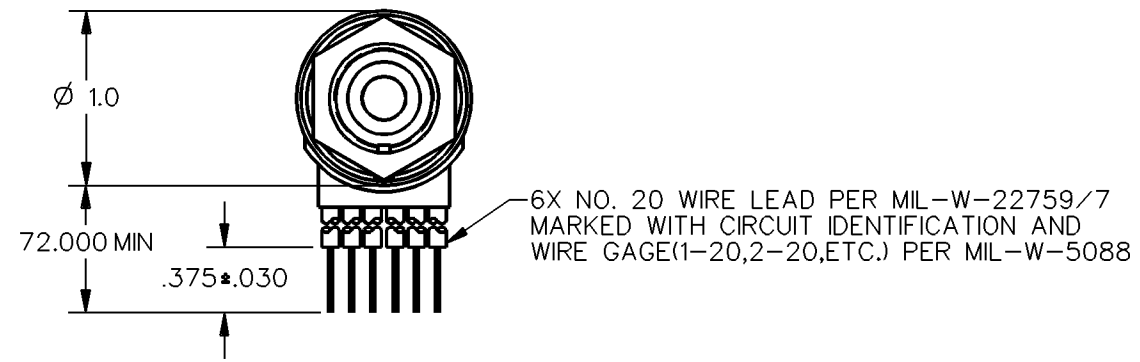
REPLACES  
SR 10857

CHECK

CHECK

CHECK

12 MAR 94  
SAV



THIS DRAWING COVERS A PROPRIETARY ITEM AND IS THE PROPERTY OF MICRO SWITCH, A DIVISION OF HONEYWELL. THIS DRAWING IS NOT TO BE COPIED OR USED WITHOUT THE APPROVAL OF MICRO SWITCH

CHARACTERISTICS	
OPERATING FORCE	6-12 LB
FULL OVERTRAVEL FORCE	30 LB MAX
RELEASE FORCE	4 LB MIN
PRETRAVEL	.040 MAX
DIFFERENTIAL TRAVEL	.020 MAX
OVERTRAVEL	.250 MIN

ELECTRICAL DATA		
CONTACT ARRANGEMENT 2X SPDT		
LOAD	28 VDC	
	SEA LEVEL	50,000 FT.
RES	4	4
IND	2	2
MOTOR	4	

THIRD ANGLE PROJECTION	
SCALE	FULL
DO NOT SCALE PRINT	
UNLESS OTHERWISE SPECIFIED TOLERANCES ARE	
ONE PLACE	(.0) ± .030
TWO PLACE	(.00) ± .015
THREE PLACE	(.000) ± .005
ANGLES	±
WEIGHT	7.0 OZ MAX

ANSI Y14.5M-1982 APPLIES

- NOTES
- 1 - SWITCH SEALED PER MIL-S-8805, SYMBOL 3
  - 2 - MICRO IDENTIFICATION, CIRCUIT DIAGRAM, CATALOG LISTING AND DATE CODE ARE SHOWN ON NAMEPLATE
  - 3 - COINCIDENCE OF OPERATING AND RELEASING POINTS: .010 OF PLUNGER TRAVEL
  - 4 - HARDWARE MAY BE PACKAGED UNASSEMBLED PER MIL-S-8805