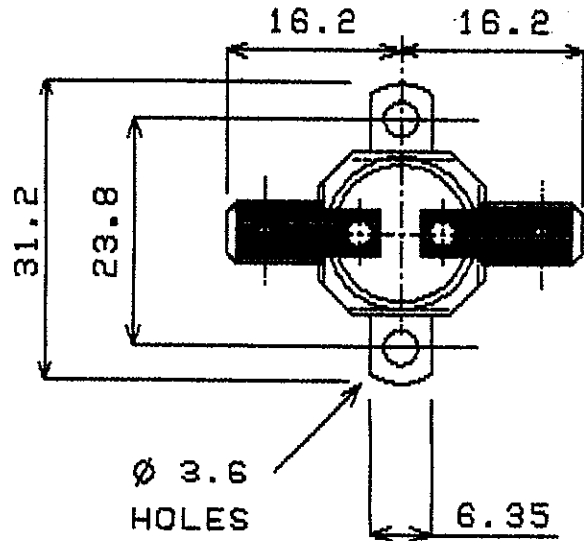


DO NOT SCALE ALL DIMENSIONS ARE FOR REFERENCE ONLY

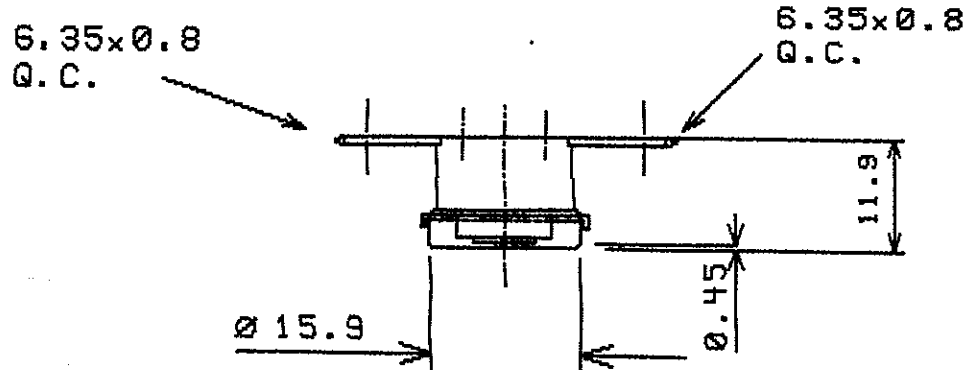
OPERATING CRITERIA



VOLTS: 240 AMPS: 10 HZ:

OPERATING TEMPS. DEG. C

OPEN: 30 ± 3
 CLOSE: 20 ± 4



NOTE! ORIENTATION OF BRACKET IS NOT FIXED

ISSUE	A	B							
MOD No	2052	2350							
MTH/YR	3/97	7/98							

CODING REQUIREMENTS
 COLOUR: LASER CODE
 L30C RP 9100 432 XXX

(XXX = DATE CODING)

CAP: 8200 MAT'L: ALUMINIUM
 BRK'T: B2036 MAT'L: STEEL
 PLATING: NICKEL
 TERMINAL: T146 T146
 MATERIAL: BRASS BRASS
 PLATING:

ELMWOOD DEVICE & UNIQUE PART No.
 2455RP-9100-432

ELMWOOD DRG No. ISSUE
 965200 B

E ELMWOOD
 SENSORS LTD

DATE OF ISSUE STAMP
 7 JUL 1998