

DO NOT SCALE ALL DIMENSIONS ARE FOR REFERENCE ONLY

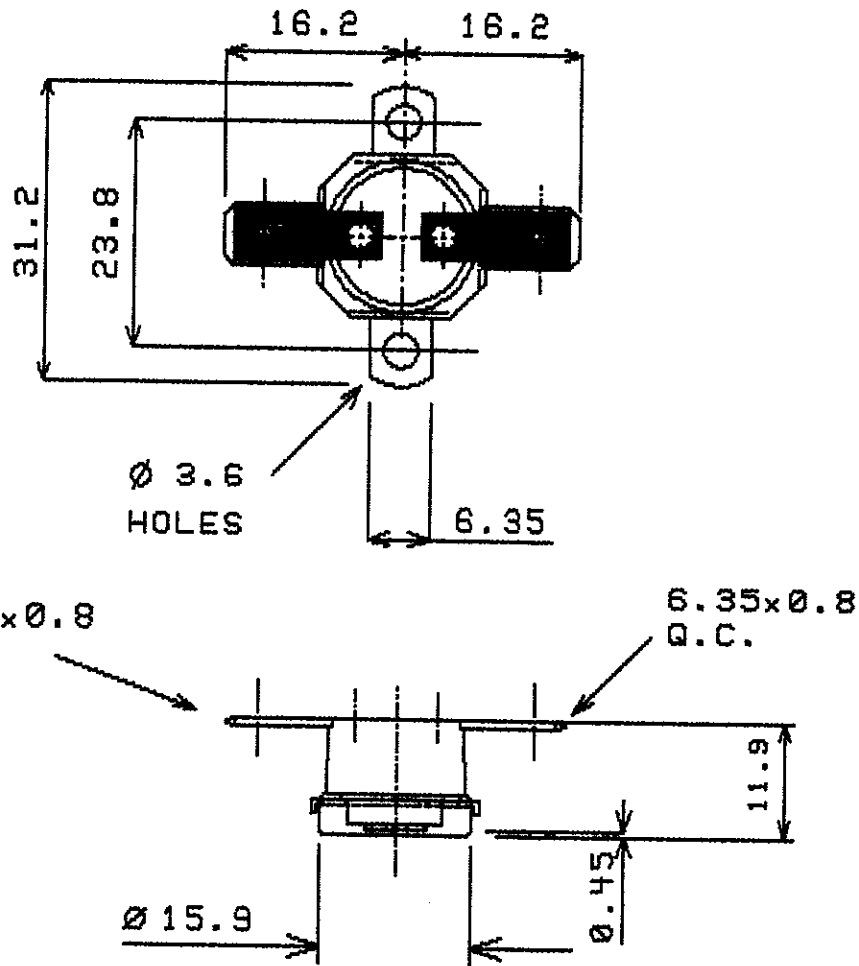
OPERATING CRITERIA

VOLTS: 240      AMPS: 10      HZ:

OPERATING TEMPS. DEG. C

OPEN: 50      ± 3

CLOSE: 35      ± 5



NOTE: ORIENTATION OF BRACKET IS NOT FIXED

ISSUE	A	B							
MOD No	2052	2250							
MTH/YR	3/97	7/98							

CODING REQUIREMENTS

COLOUR: LASER CODE  
L50C RP 9100 433 XXX

(XXX = DATE CODING)

CAP: B200      MAT'L: ALUMINIUM  
BRK'T: B2036      MAT'L: STEEL  
..... PLATING: NICKEL .....

TERMINAL: T146	T146
MATERIAL: BRASS	BRASS
PLATING:	

ELMWOOD DEVICE & UNIQUE PART No.  
2455RP-9100-433

ELMWOOD DRG No.  
965201

ISSUE  
B



ELMWOOD  
SENSORS LTD

DATE OF ISSUE STAMP

7 JUL 1998