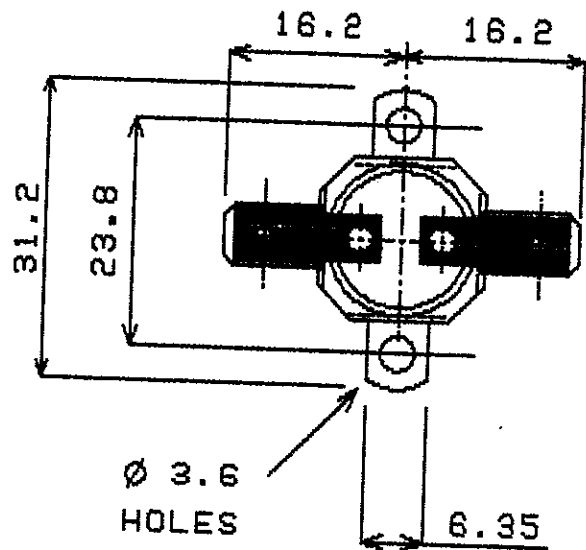


DO NOT SCALE ALL DIMENSIONS ARE FOR REFERENCE ONLY



OPERATING CRITERIA

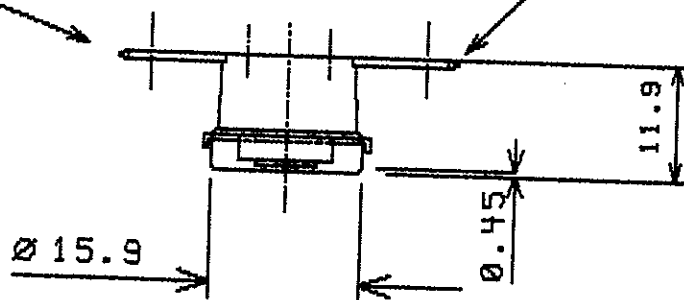
VOLTS: 240 AMPS: 10 HZ:

OPERATING TEMPS. DEG. C

OPEN: 70 ± 3
CLOSE: 55 ± 5

6.35x0.8
Q.C.

6.35x0.8
Q.C.



NOTE: ORIENTATION OF BRACKET IS NOT FIXED

ISSUE	A	B							
MOD No	3052	3250							
MTH/YR	3/97	7/98							

CODING REQUIREMENTS

COLOUR: LASER CODE
L700 00 000 35 XXX

CAP: 5200 MAT'L: ALUMINIUM
BRK'T: 92036 MAT'L: STEEL
..... PLATING: NICKEL
TERMINAL: T148 T148
MATERIAL: BRASS

ELMWOOD DEVICE & UNIQUE PART No.
2455RP-9100-435

ELMWOOD DRG No.
965203

ISSUE
B

ISSUE STAMP