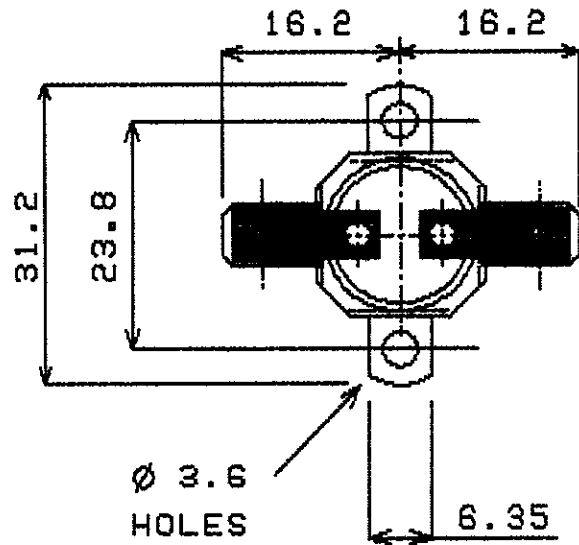


DO NOT SCALE ALL DIMENSIONS ARE FOR REFERENCE ONLY

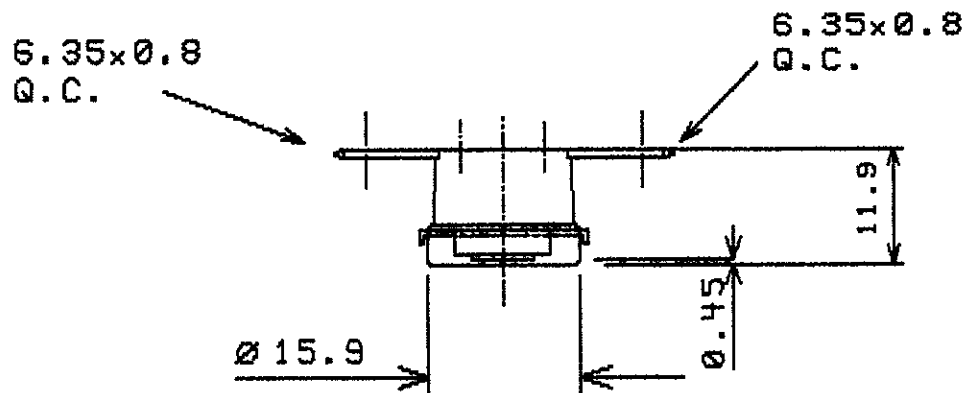
OPERATING CRITERIA



VOLTS: 240      AMPS: 10      HZ:

OPERATING TEMPS. DEG. C

OPEN: 90 ± 3  
CLOSE: 75 ± 5



NOTE: ORIENTATION OF BRACKET IS NOT FIXED

ISSUE	A	B							
MOD No	2052	2250							
MTH/YR	3/97	7/98							

CODING REQUIREMENTS

COLOUR: LASER CODE  
L90C RP 9100 437XXX

(XXX = DATE CODING)

CAP: B200      MAT'L: ALUMINIUM  
BRK/T: B2036      MAT'L: STEEL  
..... PLATING: NICKEL .....

TERMINAL: T146      T146  
MATERIAL: BRASS      BRASS  
PLATING:

ELMWOOD DEVICE & UNIQUE PART No.  
2455RP-9100-437

ELMWOOD ORG No.  
965205

ISSUE  
B



ELMWOOD  
SENSORS LTD

DATE OF ISSUE STAMP

7 JUL 1997