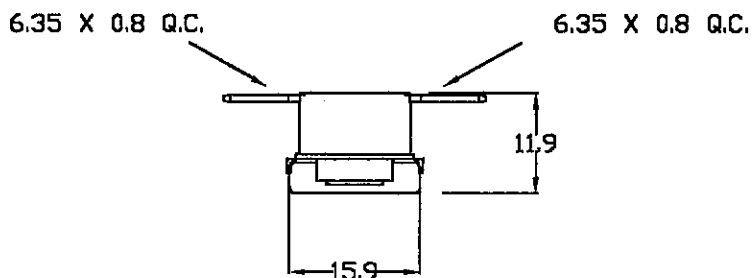
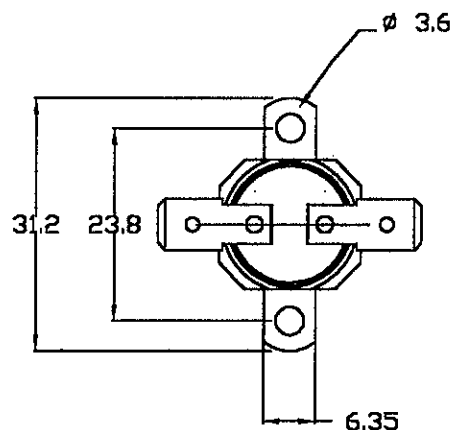


ALL DIMENSIONS ARE FOR REFERENCE ONLY

DO NOT SCALE DRAWING

ALL DIMENSIONS IN mm UNLESS STATED.



NOTE:- ORIENTATION OF BRACKET IS NOT FIXED

OPERATING CRITERIA

VOLTS; 240VAC
AMPS; 10A

OPERATING CRITERIA

OPEN; 100±4°C
CLOSE; 85±5°C

SPECIAL ARRANGEMENTS

PURPLE SPOT

NOTE:-
CODING TO SUIT MANUFACTURING SITE

DRAWN BY;
G.D.

ISSUE MOD No. MTH/YR	A 3052 03/97	B 3358 07/98	C 3640 01/01	
----------------------------	--------------------	--------------------	--------------------	--

CODING REQUIREMENTS COLOUR; WHITE L100C 9100-438-UXX 7100-438-ZXX (XXX = DATE CODING)	CAP; MAT'L; BRKT; B203S MAT'L; STEEL PLATING; NICKEL	ELMWOOD DEVICE & UNIQUE PART NUMBER 2455RP-9100-438(UK) 2455RP-7100-438(CHINA)		DATE OF ISSUE STAMP <i>18 JAN 2001</i>	
	TERMINAL; T146 MATERIAL; BRASS PLATING; -	ELMWOOD DRG No. 965206		ISSUE C	

