

DO NOT SCALE ALL DIMENSIONS ARE FOR REFERENCE ONLY

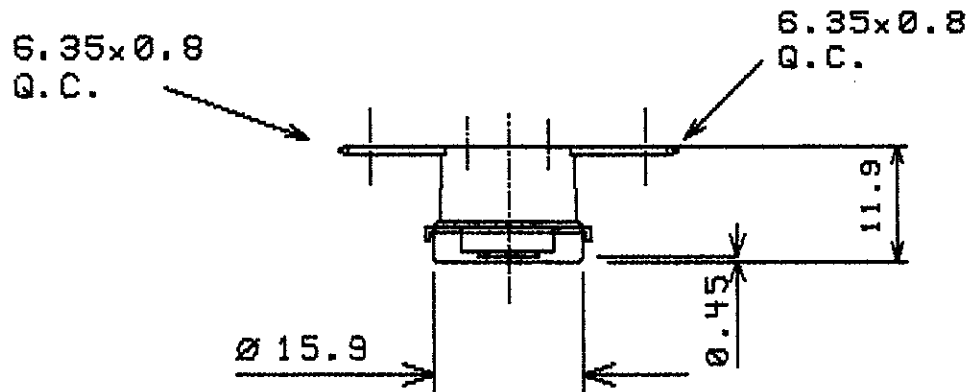
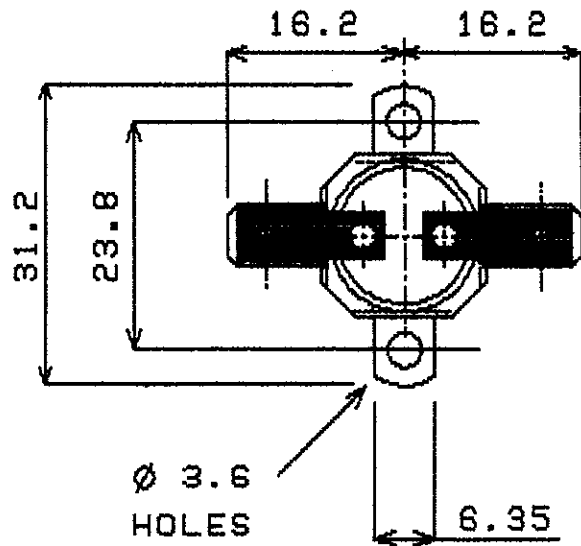
OPERATING CRITERIA

VOLTS: 240      AMPS: 10      HZ:

OPERATING TEMPS. DEG. C


OPEN: 110 ± 4

CLOSE: 95 ± 5



NOTE: ORIENTATION OF BRACKET IS NOT FIXED

ISSUE	A	B							
MOD No	0052	0050							
MTH/YR	3/97	7/98							

<u>CODING REQUIREMENTS</u> COLOUR: LASER CODE L110C RP 9100 439 XXX (XXX = DATE CODING)	CAP: 8200      MAT'L: ALUMINIUM BRK/T: 82036      MAT'L: STEEL PLATING: NICKEL	ELMWOOD DEVICE & UNIQUE PART No. 2455RP-9100-439	ELMWOOD DRG No. 965207	ISSUE B
	TERMINAL: T148      : T148 MATERIAL: BRASS      : BRASS PLATING: NICKEL      : NICKEL	 ELMWOOD SENSORS LTD	DATE OF ISSUE STAMP 