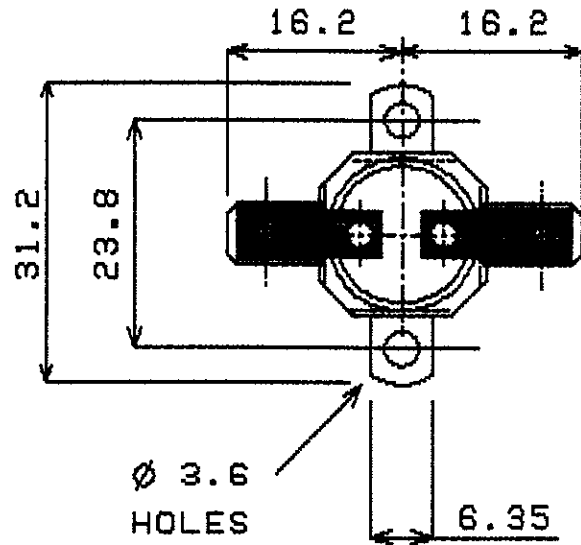


DO NOT SCALE ALL DIMENSIONS ARE FOR REFERENCE ONLY

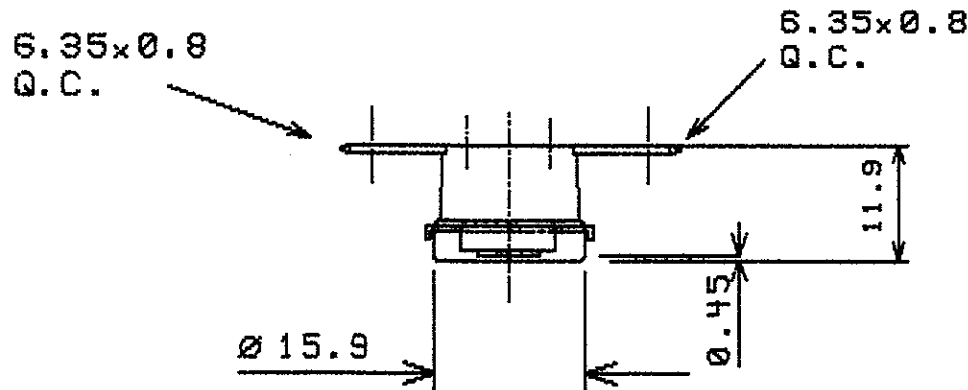
OPERATING CRITERIA



VOLTS: 240      AMPS: 10      HZ:

OPERATING TEMPS. DEG. C

OPEN: 125 ± 4  
CLOSE: 110 ± 5



NOTE: ORIENTATION OF BRACKET IS NOT FIXED

ISSUE	A	B								
MOD No	2052	2050								
MTH/YR	3/97	7/98								

<p><u>CODING REQUIREMENTS</u> COLOUR: LASER CODE L125C RP 9100 440 XXX (XXX = DATE CODING)</p>	<p>CAP: B200      MAT'L: ALUMINIUM BRK/T: B2026      MAT'L: STEEL ..... PLATING: NICKEL .....</p>	<p>ELMWOOD DEVICE &amp; UNIQUE PART No. 2455RP-9100-440</p>	<p>ELMWOOD DRG No. 965208</p>	<p>ISSUE B</p>
	<p>TERMINAL: T146      : T146 MATERIAL: BRASS      : BRASS PLATING: NICKEL      : NICKEL</p>	<p><b>E</b>      ELMWOOD SENSORS LTD</p>	<p>DATE OF ISSUE STAMP <i>[Signature]</i> 7 JUL 1998</p>	