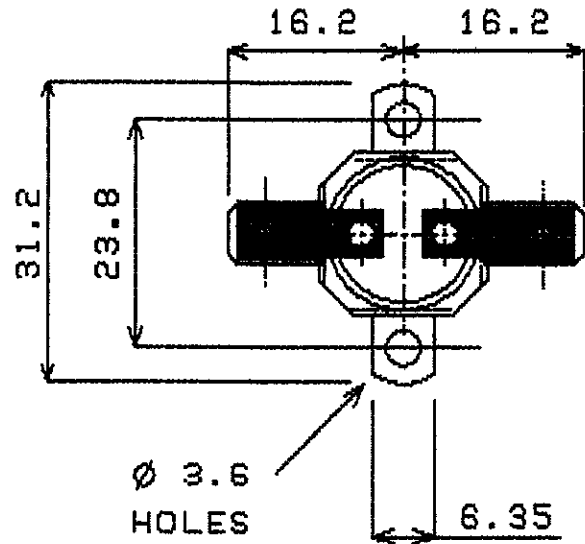


DO NOT SCALE ALL DIMENSIONS ARE FOR REFERENCE ONLY



OPERATING CRITERIA

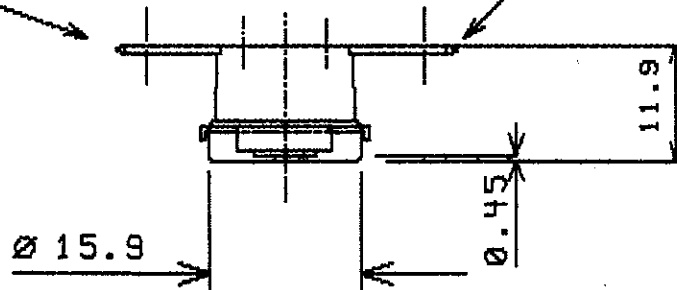
VOLTS: 240 AMPS: 10 HZ:

OPERATING TEMPS. DEG. C

OPEN: 20 ± 3
CLOSE: 35 ± 5

6.35x0.8
Q.C.

6.35x0.8
Q.C.



NOTE: ORIENTATION OF BRACKET IS NOT FIXED

ISSUE	A	B							
MOD No	2052	2250							
MTH/YR	3/97	7/98							

ENCODING REQUIREMENTS

OUR: LASER CODE
RP 9100 442 XXX

CAP: B200 MAT'L: ALUMINIUM
BRK'T: B2036 MAT'L: STEEL
..... PLATING: NICKEL
TERMINAL: T146 T146
MATERIAL: BRASS BRASS
PLATING: G1

ELMWOOD DEVICE & UNIQUE PART No.
2455RP-9100-442

ELMWOOD DRG No. ISSUE
965210 B



ELMWOOD
SENSORS LTD

DATE OF ISSUE STAMP

Deliver
THP

DATE CODE