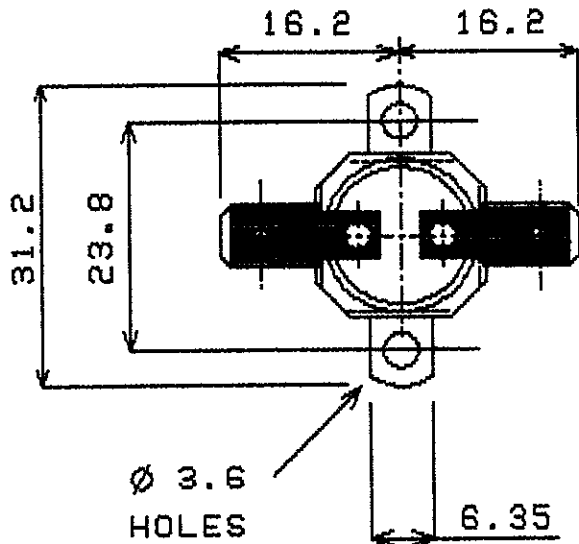


DO NOT SCALE ALL DIMENSIONS ARE FOR REFERENCE ONLY

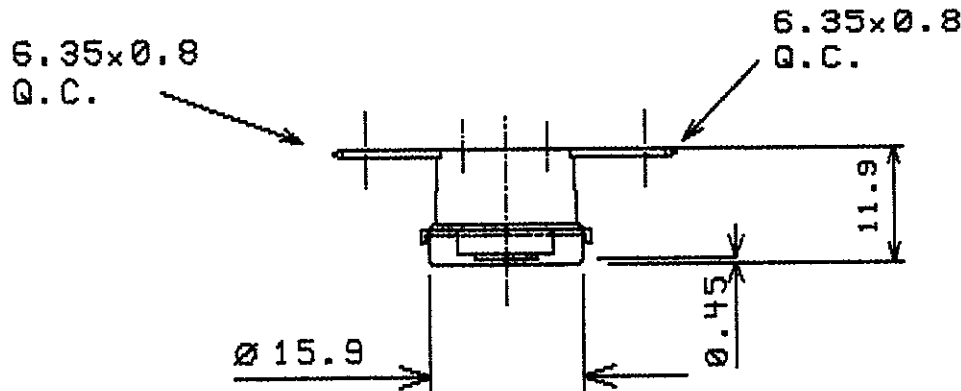
OPERATING CRITERIA



VOLTS: 240      AMPS: 10      HZ:

OPERATING TEMPS. DEG. C

OPEN: 45 ± 3  
CLOSE: 60 ± 5



NOTE: ORIENTATION OF BRACKET IS NOT FIXED

ISSUE	A	B								
MOD No	2052	2250								
MTH/YR	3/97	7/98								

CODING REQUIREMENTS

COLOUR: LASER CODE  
F60C RP 9100 443 XXX

(XXX = DATE CODING)

CAP: B200      MAT'L: ALUMINIUM  
BRK'T: B2036      MAT'L: STEEL  
..... PLATING: NICKEL .....

TERMINAL: T148      T148  
MATERIAL: BRASS      BRASS  
PLATING:

ELMWOOD DEVICE & UNIQUE PART No.  
2455RP-9100-443

ELMWOOD DRG No.      ISSUE  
965211      B



ELMWOOD  
SENSORS LTD

DATE OF ISSUE STAMP

7 JUL 1998