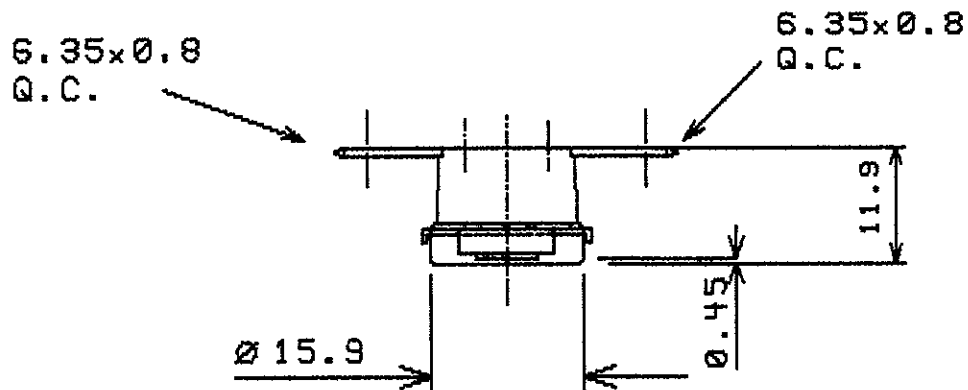
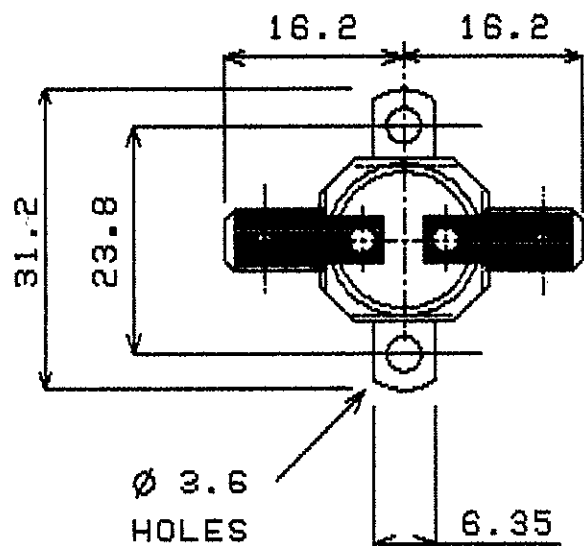


DO NOT SCALE ALL DIMENSIONS ARE FOR REFERENCE ONLY



OPERATING CRITERIA

VOLTS; 240      AMPS; 10      HZ;

OPERATING TEMPS. DEG.C

OPEN; 75      ± 3  
CLOSE; 90      ± 5

NOTE: ORIENTATION OF BRACKET IS NOT FIXED

CODING REQUIREMENTS

COLOUR; LASER CODE  
F90C RP 9100 445XXX

(XXX = DATE CODING)

CAP; 5200      MAT'L; ALUMINIUM  
BRK'T; B2036      MAT'L; STEEL  
..... PLATING; NICKEL .....

TERMINAL; T146      T146  
MATERIAL; BRASS      BRASS  
PLATING;

ISSUE	A	B							
MOD No	2052	2259							
MTH/YR	3/97	7/98							

ELMWOOD DEVICE & UNIQUE PART No. 2455RP-9100-445	ELMWOOD DRG No. 965213	ISSUE B
---	---------------------------	------------

 ELMWOOD SENSORS LTD	DATE OF ISSUE STAMP
	 7 JUL 1998