

**MICRO SWITCH**  
 FREEPORT, ILLINOIS, U.S.A.  
 A DIVISION OF HONEYWELL  
 FED. REG. CODE 91928

**SWITCH ENCLOSED**

CATALOG LISTING  
**2 ML7-E1**

REPLACES

RELEASE NO. PR-9943

DRAWING NUMBER

**M**

ISSUE  
 8 210

CHECK

REVISIONS

A WAS ETS

PR-9943

G J W

19 MAR 81

B 0058367

JAS

11 NOV 85

C 055051C

T A D

6 JAN 86

D C063739

T SK

17 JAN 88

E 0074287

18 APR 93

CHECK

CEB

21 MAR 81

CHECK

G J W

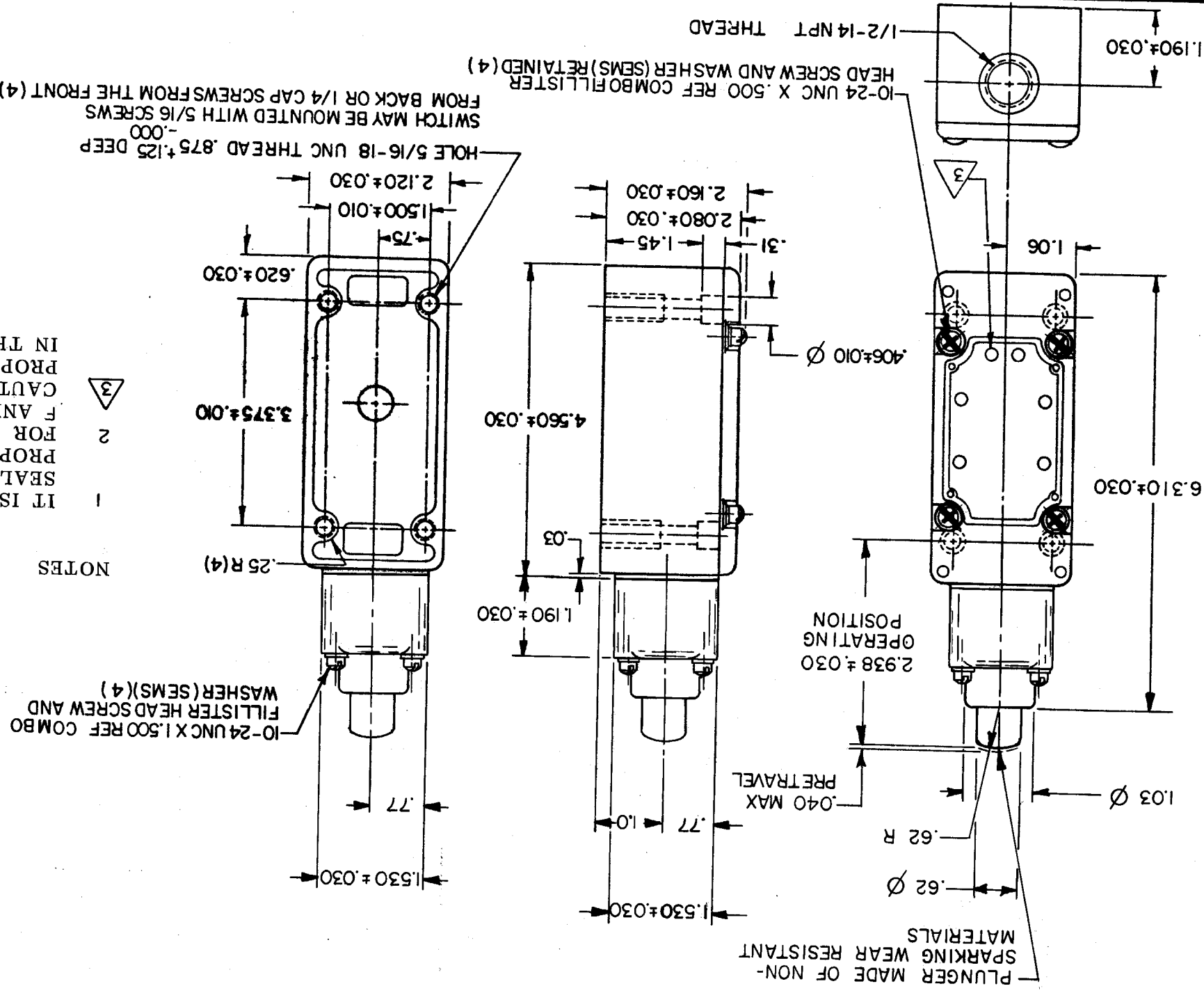
19 MAR 81

DRAWN

FO-82851-B

**2 ML7-E1**

THIS DRAWING COVERS A PROPRIETARY ITEM AND IS THE PROPERTY OF MICRO SWITCH, A DIVISION OF HONEYWELL. THIS DRAWING IS NOT TO BE COPIED OR USED WITHOUT THE APPROVAL OF MICRO SWITCH.	
CHARACTERISTICS (TENTATIVE) OPERATING FORCE ----- 6 LB APPROX RELEASE FORCE ----- 4 LB APPROX DIFFERENTIAL TRAVEL----- .020 MAX OVERTRAVEL----- .485 MIN SWITCH-BASIC REPLACEMENT-DT-2R711-A7	10A-125 OR 250 VAC 0.3A 125 VDC; 0.15A 250 VDC
ELECTRICAL DATA CONTACT ARRANGEMENT D. P. D. T.	
SCALE 1/2 TO 1 DO NOT SCALE PRINT TOLERANCES APPLY TO DESIGN UNITS. CONVERSIONS ARE ONLY FOR REFERENCE. UNLESS NOTED, TOLERANCES ARE:	
DIM. TOL. DIM. TOL. .001 .001 .002 .002 .005 .005 .010 .010 .015 .015 .020 .020 .030 .030 .040 .040 .050 .050 .060 .060 .070 .070 .080 .080 .090 .090 .100 .100 .125 .125 .150 .150 .175 .175 .200 .200 .250 .250 .300 .300 .375 .375 .450 .450 .500 .500 .625 .625 .750 .750 .875 .875 1.000 1.000 1.125 1.125 1.250 1.250 1.375 1.375 1.500 1.500 1.625 1.625 1.750 1.750 1.875 1.875 2.000 2.000 2.125 2.125 2.250 2.250 2.375 2.375 2.500 2.500 2.625 2.625 2.750 2.750 2.875 2.875 3.000 3.000 3.125 3.125 3.250 3.250 3.375 3.375 3.500 3.500 3.625 3.625 3.750 3.750 3.875 3.875 4.000 4.000 4.125 4.125 4.250 4.250 4.375 4.375 4.500 4.500 4.625 4.625 4.750 4.750 4.875 4.875 5.000 5.000 5.125 5.125 5.250 5.250 5.375 5.375 5.500 5.500 5.625 5.625 5.750 5.750 5.875 5.875 6.000 6.000 6.125 6.125 6.250 6.250 6.375 6.375 6.500 6.500 6.625 6.625 6.750 6.750 6.875 6.875 7.000 7.000 7.125 7.125 7.250 7.250 7.375 7.375 7.500 7.500 7.625 7.625 7.750 7.750 7.875 7.875 8.000 8.000 8.125 8.125 8.250 8.250 8.375 8.375 8.500 8.500 8.625 8.625 8.750 8.750 8.875 8.875 9.000 9.000 9.125 9.125 9.250 9.250 9.375 9.375 9.500 9.500 9.625 9.625 9.750 9.750 9.875 9.875 10.000 10.000	NO PLACES TWO PLACES THREE PLACES ANGLES SI METRIC US CUSTOMARY
WEIGHT THIRD ANGLE PROJECTION	



NOTES

- IT IS ESSENTIAL THAT THE CONDUIT OPENING BE PROPERLY SEALED IN ORDER TO MAINTAIN THE EXPLOSION PROOF PROPERTIES
- FOR USE IN CLASS I GROUPS C AND D, CLASS II GROUPS E, F AND G HAZARDOUS LOCATIONS
- CAUTION: IN ORDER TO MAINTAIN THE EXPLOSION PROOF PROPERTIES OF THIS UNIT, DO NOT OBSTRUCT THE HOLES IN THE COVER PLATE

HOLE 5/16-18 UNC THREAD .875 ± .125 DEEP  
 SWITCH MAY BE MOUNTED WITH 5/16 SCREWS FROM BACK OR 1/4 CAP SCREWS FROM THE FRONT (4)  
 10-24 UNC X .500 REF COMBO FILLISTER HEAD SCREW AND WASHER (SEMS) RETAINED (4)

**M**