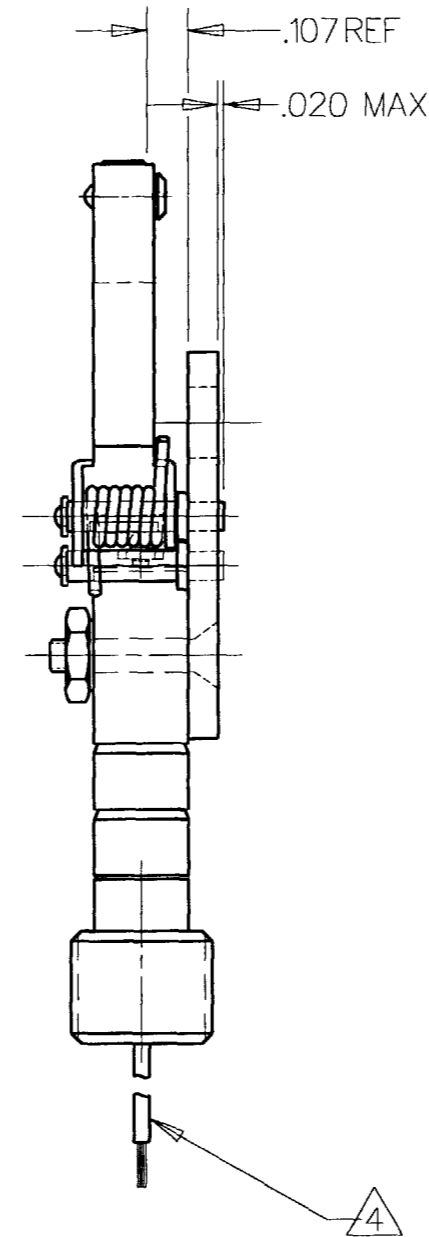
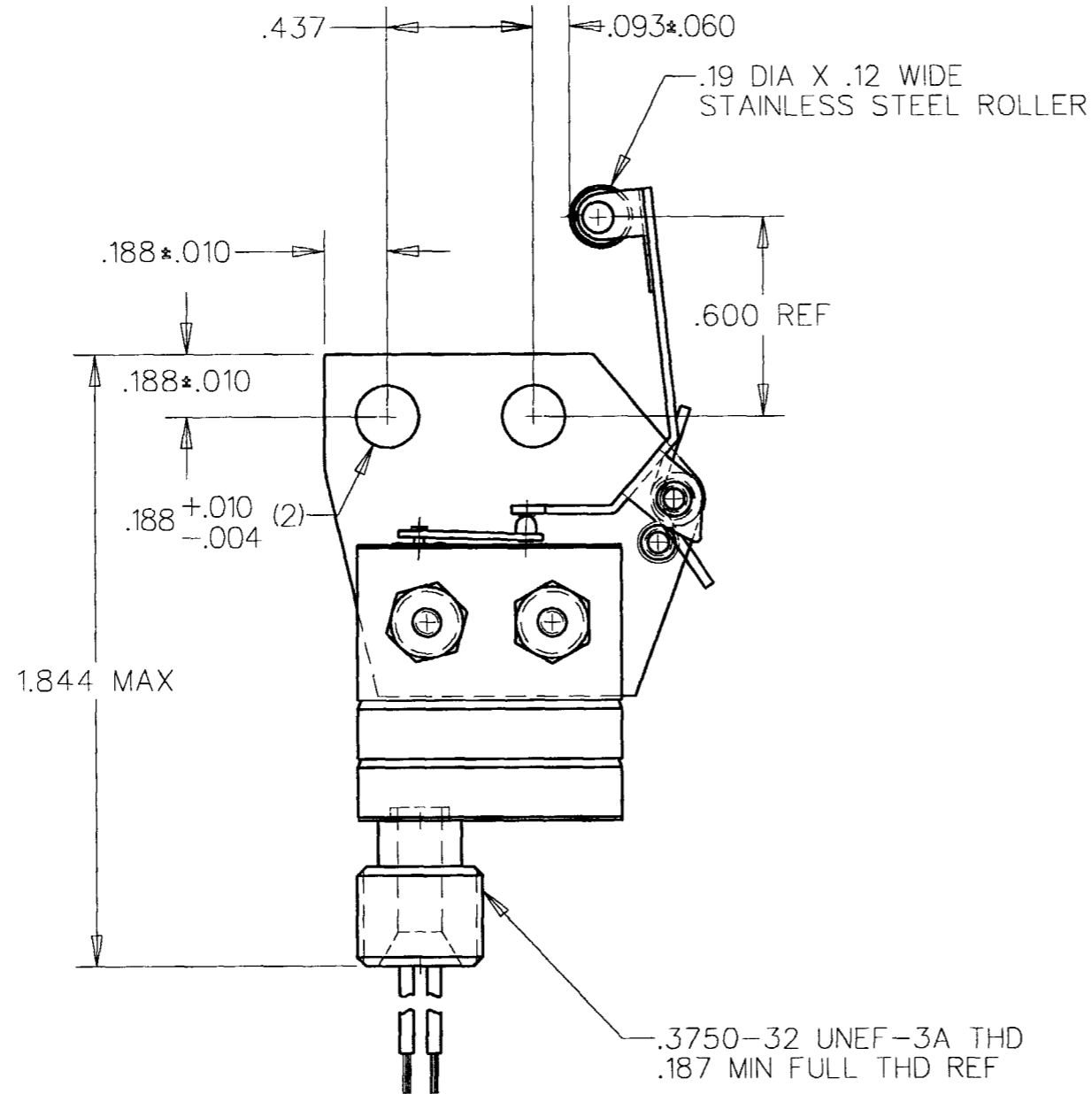


**MICRO SWITCH**  
a Honeywell Division

FED. MFG. CODE 91929

SWITCH-BASIC

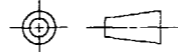
CATALOG LISTING  
**38HM10**



CATALOG LISTING  
**38HM10**  
 PAGE 1 OF 1  
 ISSUE  
**M**  
 5  
 REVISIONS  
 A 0069973  
 TSM  
 18 MAR 91  
 B 202458  
 CST  
 27 FEB 01  
 CHECK  
 M.A.M.  
 25 MAR 91  
 CHECK  
 M.A.M.  
 25 MAR 91  
 DRAWN  
 T.S.M.  
 18 MAR 91  
 RASTER

THIS DRAWING COVERS A PROPRIETARY ITEM AND IS THE PROPERTY OF MICRO SWITCH, A DIVISION OF HONEYWELL. THIS DRAWING IS NOT TO BE COPIED OR USED WITHOUT THE APPROVAL OF MICRO SWITCH

THIRD ANGLE PROJECTION



SCALE 2:1

DO NOT SCALE PRINT

CHARACTERISTICS	
OPERATING FORCE	3 LBS MAX
RELEASE FORCE	6 OZ MIN
PRETRAVEL	.012 MIN
DIFFERENTIAL TRAVEL	.030 MAX
OVERTRAVEL	.050 MIN

ELECTRICAL DATA	
CONTACT ARRANGEMENT SPNO	
28 VOLTS DC RATING	
INDUCTIVE	SEA LEVEL --- 1/4 AMP 70,000 FT --- 1/4 AMP
RESISTIVE	SEA LEVEL --- 1 AMP 70,000 FT --- 1 AMP

UNLESS OTHERWISE SPECIFIED TOLERANCES ARE	
ONE PLACE	(.0) ±.030
TWO PLACE	(.00) ±.015
THREE PLACE	(.000) ±.005
ANGLES	±

WEIGHT

NOTES

- 1 - UNIT INCLUDES 8HM102 BASIC SWITCH
- 2 - SWITCH HERMETICALLY SEALED PER MIL-S-8805, SYMBOL 5
- 3 - ALL EXPOSED PARTS ARE CORROSION RESISTANT MATERIALS OR SURFACE TREATED
- 4 - LEADWIRE PER MIL-W-22759/10-20 AND 36 INCHES LONG REF