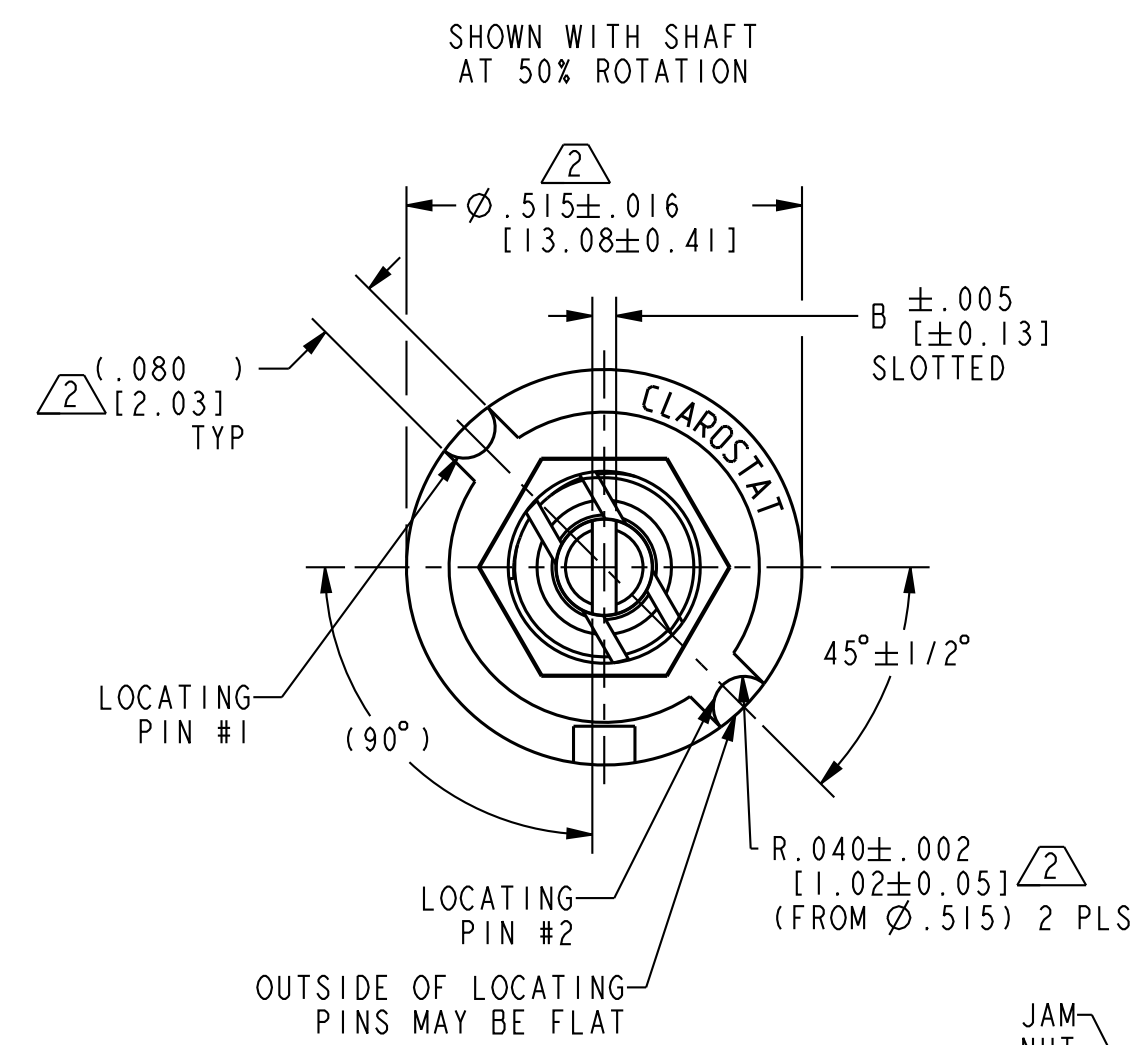
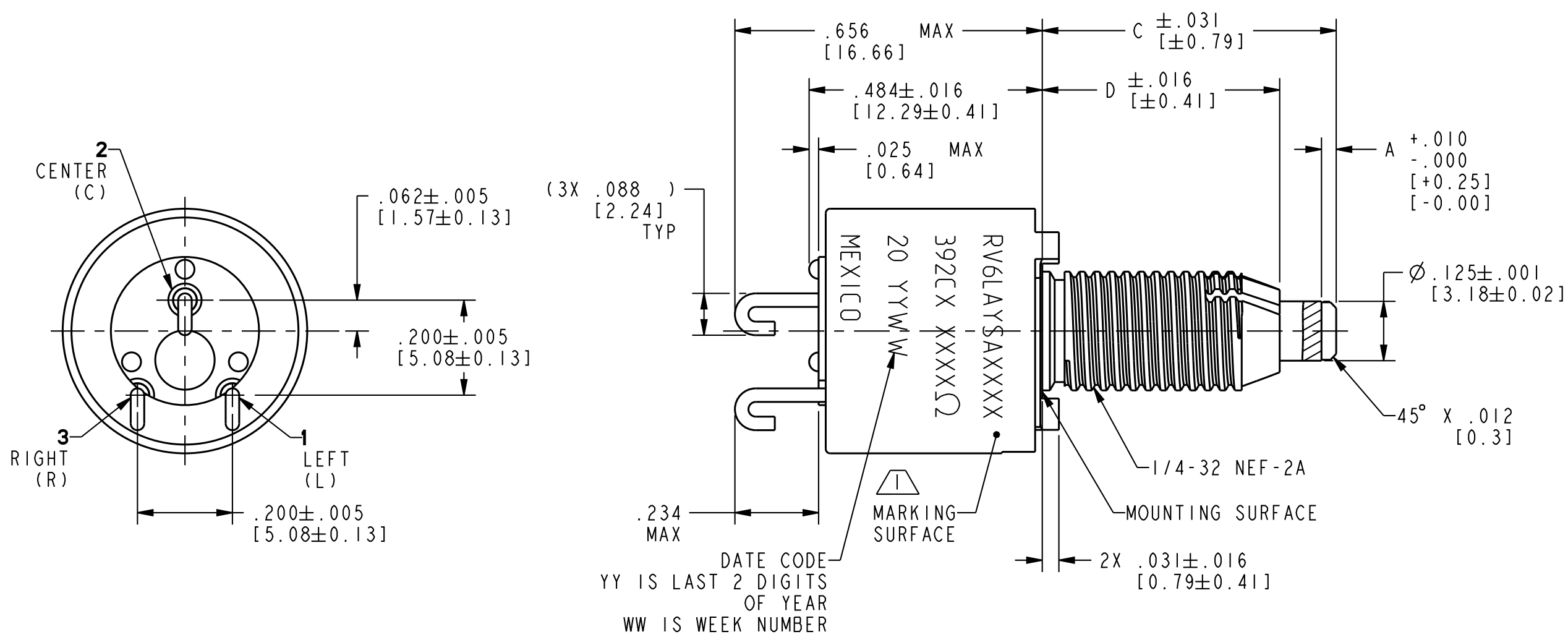


PART NUMBER
SEE SHEET-2 TABLE

| REVISION HISTORY | | | | | |
|------------------|----------|-------------|---------|------------|----------|
| REV | DOCUMENT | DESCRIPTION | CHGD BY | DATE | APPROVED |
| A | 0112190 | RELEASED | B.M. | 2014-08-05 | M. MIKE |



GENERAL SPECIFICATIONS AND NOTES:

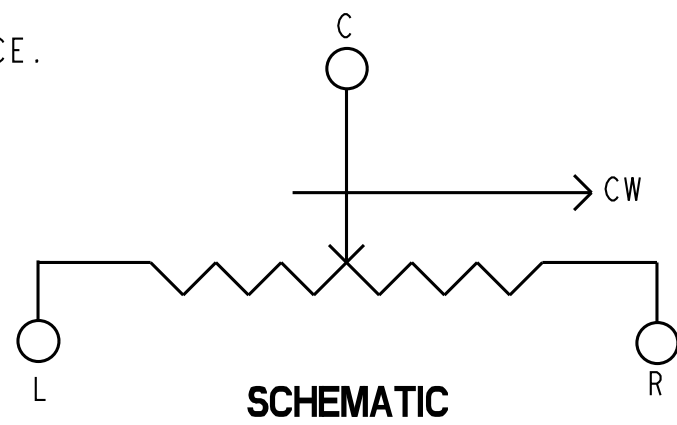
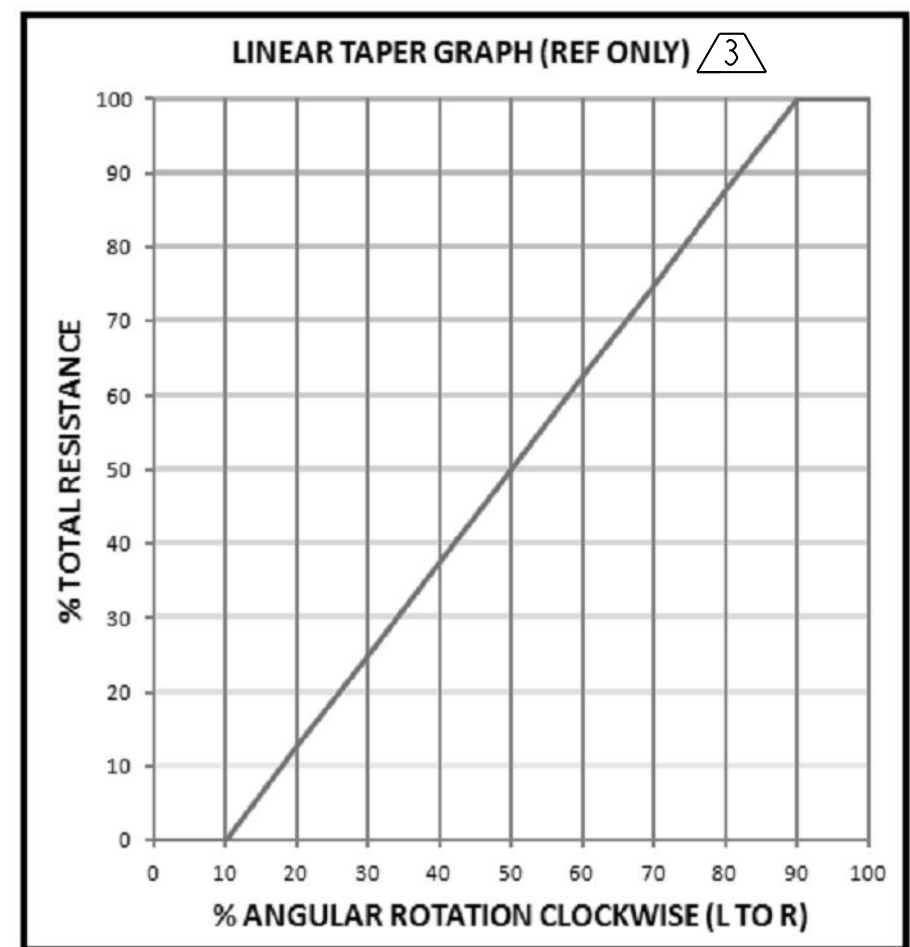
SERIES: 392
CONDUCTIVE PLASTIC ELEMENT
SUPPLIED WITH MOUNTING NUT, LOCKING WASHER AND JAM NUT.
NUTS AND WASHER PACKAGED ASSEMBLED OR UNASSEMBLED BASED ON LISTING (REFER TO TABLE ON SHEET2).
MARKING INFORMATION SHOWN ON SIDE OF HOUSING. REFER TO TABLE FOR SPECIFIC LISTING MARKING INFORMATION.
WEIGHT OF SINGLE CONTROL: .25 OUNCE [6.8 GRAMS] APPROX. VALUES ARE SHOWN IN STANDARD AND METRIC UNITS. METRIC UNITS ARE IN []. IF CONVERSION DIFFERENCE EXISTS, THE STANDARD UNIT PREVAILS.
CONTROLS HAVE AN INTERNAL O-RING SHAFT SEAL.
UNITS ARE SEALED FOR WAVE SOLDER AND WASH PROCESSING.
BUILT IN ACCORDANCE WITH MIL-R-94.
DIMENSIONS FOR BODY DIAMETER AND LOCATING PINS DEVIATE FROM MIL-R-94 SPECIFICATIONS.

ELECTRICAL SPECIFICATIONS:

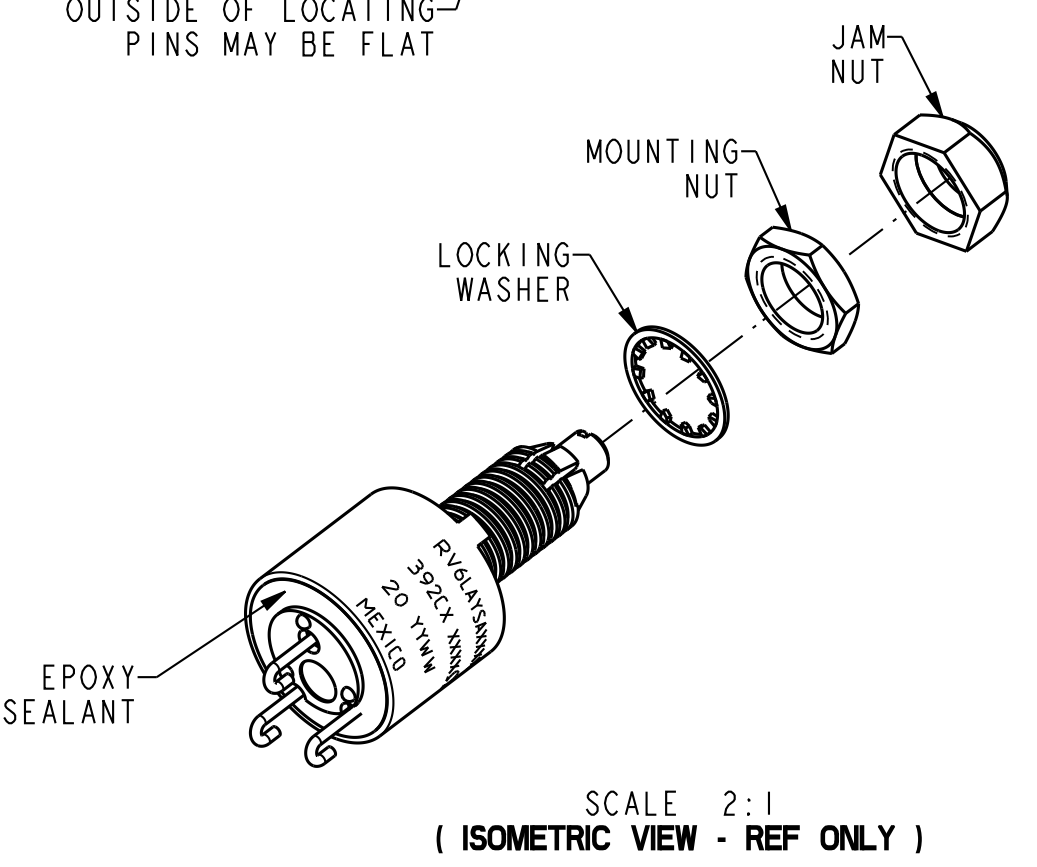
TAPER: LINEAR
TAPER TOLERANCE ±20% OF NOMINAL RESISTANCE AT 50%±3% MECHANICAL ROTATION.
LINEARITY (INDEPENDENT): ±5%
MAX WORKING VOLTAGE: 350 VDC APPLIED ACROSS L & R TERMINALS. POWER NOT TO EXCEED RATING.
DIELECTRIC STRENGTH: 750 VAC FOR 60s @ ATM [1 MPa]
350 VAC FOR 60s @ 3.4 IN Hg [1.5 KPa]
POWER RATING: 0.5W @ 158°F [70°C], DE-RATED LINEARLY TO 0 @ 264°F [129°C]
CRV FOR RESISTANCE GREATER THAN 500Ω AND LESS THAN 50KΩ IS 1.5% OF TOTAL RESISTANCE. CRV FOR ALL OTHER RESISTANCE VALUES IS 3.1% OF TOTAL RESISTANCE.
END RESISTANCE: 4Ω MAX AT EACH END OF ROTATION
RESISTANCE AND TOLERANCE: (REFER TO TABLE)
ELECTRICAL ROTATION: 295°±5°
EFFECTIVE ELECTRICAL ROTATION: 265° TYPICAL

OPERATIONAL SPECIFICATIONS:

ROTATIONAL LIFE: 50,000 CYCLES
STORAGE TEMPERATURE: -67°F [-55°C] TO 248°F [120°C]
OPERATING TEMPERATURE: -40°F [-40°C] TO 248°F [120°C]
ROTATIONAL TORQUE: 0.5 TO 2.0 OZ-IN [3.5 TO 14 mN·m]
WITH JAM NUT TIGHTENED TO 8 LB-IN [0.9 Nm] SHAFT WILL NOT ROTATE UNTIL 20 LB-IN [2.3 Nm] IS APPLIED.
STOP TORQUE: 3 LB-IN [0.34 N·m]
MECHANICAL ROTATION: 295°±5°




MULTI-SHEET DRAWING



| MATERIALS | |
|--------------|-------------------------------------|
| SHAFT | NICKEL PLATED BRASS |
| BUSHING | NICKEL PLATED BRASS |
| HOUSING | THERMOPLASTIC |
| BASE | THERMOSET |
| TERMINALS | BRASS, SOLDER (TIN-LEAD) DIP FINISH |
| SEALANT | EPOXY |
| LOCK WASHER | NICKEL PLATED PHOS BRONZE |
| MOUNTING NUT | NICKEL PLATED BRASS |
| JAM NUT | NICKEL PLATED BRASS |

| | | | | | | |
|--|--|---|---------------------------------|------------------------------|---|-----------------------------|
| UNLESS OTHERWISE SPECIFIED DIMENSIONS ARE IN INCHES DECIMAL TOL: NO PLACE --- ±.400 [10.16] 1 PLACE --- ±.030 [0.761] 2 PLACE --- ±.010 [0.254] 3 PLACE --- ±.005 [0.127] ANGULAR TOL --- ±2° CHAMFER --- ±5° | | THIRD ANGLE PROJECTION | Honeywell | | | |
| MATERIAL SEE TABLE | | TITLE S-TAPER, SLOTTED SHAFT, LCKG BUSHING, SOLDER HOOK TERMS | | | | |
| FINISH | | SIZE C | CAGE CODE - | DWG NO 392-MATRIX-IDWG-13 | TYPE I | REV A |
| APPLICABLE DOCUMENTS: ASME Y14.100-2004 ASME Y14.5-2009 | | SCALE 4:1 | REF WT: SEE NOTE | SHEET 1 of 2 | HONEYWELL CONFIDENTIAL THIS DOCUMENT CONTAINS PROPRIETARY INFORMATION AND SUCH INFORMATION MAY NOT BE DISCLOSED TO OTHERS FOR ANY PURPOSE, NOR USED FOR MANUFACTURING PURPOSES WITHOUT WRITTEN PERMISSION FROM HONEYWELL | |
| COMPUTER GENERATED DRAWING: PRO/ENGINEER | | RELEASE DATE 2014-08-05 | DRW: B. MOHAPATRA 2014-05-28 | RDE: M. MIKE 2014-05-28 | QA: - | CHK: S. RAGHU 2014-08-05 |

PART NUMBER
SEE SHEET-2 TABLE

| LISTING | CHARACTERISTICS | | | | | | | MARKING  | | | |
|-------------|-----------------|------------|-------------------------------|-------------------------------|---------------------------------|----------------------------------|-----------------|---|-------------|---------|--------|
| | ELECTRICAL | | MECHANICAL | | | | | LINE-1 | LINE-2 | LINE-3 | LINE-4 |
| | RES (Ω) | RES TOL | A SLOT DEPTH IN [mm] | B SLOT WIDTH IN [mm] | C SHAFT LENGTH IN [mm] | D BUSHNG LENGTH IN [mm] | MTG HARDWARE | | | | |
| 392C2100 | 100Ω | ±10% | .031 [0.79] | .031 [0.79] | .625 [15.88] | .500 [12.70] | ASSEMBLED | RV6LAYS A101A | 392C2 100Ω | 20 YYWW | MEXICO |
| 392C21K | 1KΩ | ±10% | .031 [0.79] | .031 [0.79] | .625 [15.88] | .500 [12.70] | ASSEMBLED | RV6LAYS A102A | 392C2 1KΩ | 20 YYWW | MEXICO |
| 392550M6875 | 10KΩ | ±10% | .031 [0.79] | .031 [0.79] | .625 [15.88] | .500 [12.70] | ASSEMBLED | RV6LAYS A103A | 10KΩ | 20 YYWW | MEXICO |
| 392C210K | 10KΩ | ±10% | .031 [0.79] | .031 [0.79] | .625 [15.88] | .500 [12.70] | ASSEMBLED | RV6LAYS A103A | 392C2 10KΩ | 20 YYWW | MEXICO |
| 392C2100K | 100KΩ | ±10% | .031 [0.79] | .031 [0.79] | .625 [15.88] | .500 [12.70] | ASSEMBLED | RV6LAYS A104A | 392CS 100KΩ | 20 YYWW | MEXICO |
| 392C21MEG | 1MEGΩ | ±10% | .031 [0.79] | .031 [0.79] | .625 [15.88] | .500 [12.70] | ASSEMBLED | RV6LAYS A105A | 392C2 1MEGΩ | 20 YYWW | MEXICO |
| 392C2250 | 250Ω | ±10% | .031 [0.79] | .031 [0.79] | .625 [15.88] | .500 [12.70] | ASSEMBLED | RV6LAYS A251A | 392C2 250Ω | 20 YYWW | MEXICO |
| 392C22500 | 2.5KΩ | ±10% | .031 [0.79] | .031 [0.79] | .625 [15.88] | .500 [12.70] | ASSEMBLED | RV6LAYS A252A | 392C2 2.5KΩ | 20 YYWW | MEXICO |
| 392C225K | 25KΩ | ±10% | .031 [0.79] | .031 [0.79] | .625 [15.88] | .500 [12.70] | ASSEMBLED | RV6LAYS A253A | 392CS 25KΩ | 20 YYWW | MEXICO |
| 392C2500 | 500Ω | ±10% | .031 [0.79] | .031 [0.79] | .625 [15.88] | .500 [12.70] | ASSEMBLED | RV6LAYS A501A | 392CS 500Ω | 20 YYWW | MEXICO |
| 392C25K | 5KΩ | ±10% | .031 [0.79] | .031 [0.79] | .625 [15.88] | .500 [12.70] | ASSEMBLED | RV6LAYS A502A | 392C2 5KΩ | 20 YYWW | MEXICO |
| 392C250K | 50KΩ | ±10% | .031 [0.79] | .031 [0.79] | .625 [15.88] | .500 [12.70] | ASSEMBLED | RV6LAYS A503A | 392C2 50KΩ | 20 YYWW | MEXICO |
| 392C2500K | 500KΩ | ±10% | .031 [0.79] | .031 [0.79] | .625 [15.88] | .500 [12.70] | ASSEMBLED | RV6LAYS A504A | 392CS 500KΩ | 20 YYWW | MEXICO |
| 392550M9297 | 5MEGΩ | ±20% | .031 [0.79] | .031 [0.79] | .625 [15.88] | .500 [12.70] | UNASSEMBLED | RV6LAYS A505B | 392C2 5MEGΩ | 20 YYWW | MEXICO |

| | | | | |
|--|---------------------|-------------------------------------|------------------|-----------------|
| Honeywell | | | | |
| TITLE S-TAPER, SLOTTED SHAFT, LCKG BUSHING, SOLDER HOOK TERMS | | | | |
| SIZE C | CAGE CODE - | DWG NO 392-MATRIX-IDWG-13 | TYPE I | REV A |
| SCALE NONE | REF WT: SEE NOTE | SHEET 2 of 2 | | |