

**MICRO SWITCH**

FREEPORT ILLINOIS U S A  
A DIVISION OF HONEYWELL  
FED. MFG CODE 91929

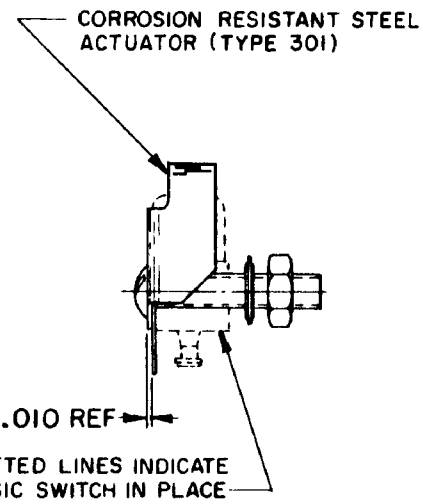
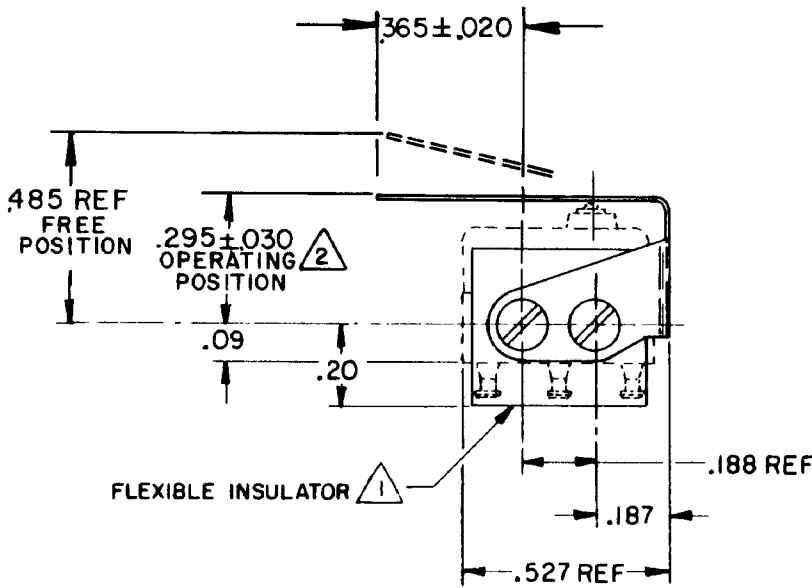
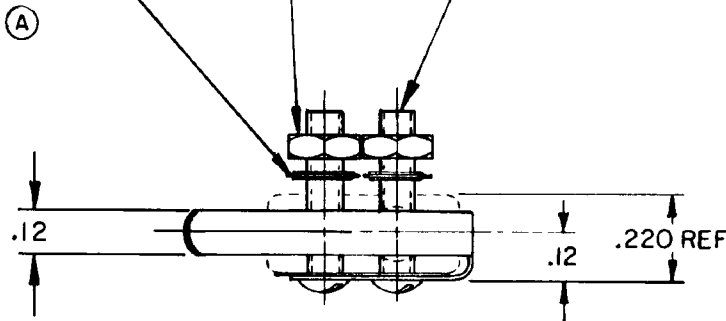
**ACTUATOR - SWITCH**

CATALOG LISTING  
**JX-95**

2-56 UNC CORROSION RESISTANT  
STEEL HEX NUT (2) (A)

CORROSION RESISTANT  
STEEL LOCKWASHER (2)

2-56 UNC X .438 REF CORROSION RESISTANT  
STEEL ROUND HEAD MACHINE SCREW (2) (A)



NOTE -

- (1) FURNISHED UNASSEMBLED
- (2) SLIGHT ROTATION BETWEEN BASIC AND ACTUATOR MAY BE NECESSARY TO OBTAIN OPERATING POSITION
- (A) 3 - ACTUATOR WILL WITHSTAND TEMPERATURE OF 400° F

THIS DRAWING COVERS A PROPRIETARY ITEM AND IS THE PROPERTY OF MICRO SWITCH, A DIVISION OF HONEYWELL THIS DRAWING IS NOT TO BE COPIED OR USED WITHOUT THE APPROVAL OF MICRO SWITCH

**CHARACTERISTICS WITH 48X1-T BASIC SWITCH INSTALLED**

OPERATING FORCE -----	7 OZ MAX
RELEASE FORCE -----	2 OZ MIN
DIFFERENTIAL TRAVEL ----	.025 MAX
OVERTRAVEL -----	.015 MIN

**ELECTRICAL DATA**

CONTACT ARRANGEMENT	

**SCALE 2 TO 1**

DO NOT SCALE PRINT

UNLESS OTHERWISE NOTED

DIMENSIONS ARE IN INCHES

**TOLERANCES ARE:**

ONE PLACE (0)	±.030
TWO PLACE (.00)	±.015
THREE PLACE (.000)	±.005
ANGLES	±

WEIGHT

REPLACES: JX-95  
 RELEASE NO. PR-1979  
 DRAWING NUMBER: M  
 ISSUE: X8  
 CHECK: 84  
 REVISIONS:  
 A CO 29417  
 OMW 15 NOV 71  
 B C079303  
 DLT 9 MAR 95  
 C C082929  
 DLT 13 MAY 96  
 CHECK: WJH 23 JUL 71  
 CHECK: WJH 23 JUL 71  
 CHECK: WJH 23 JUL 71  
 DRAWN: L S D 14 JUL 71  
 FO-50378-1A