

MICRO SWITCH
a Honeywell Division

FED. MFG. CODE 91929

SWITCH - BASIC

CATALOG LISTING
YZ-2RDS555116-D6-S

AWP2768

CATALOG LISTING
YZ-2RDS555116-D6-S
PAGE 1 OF 1
REPLACES
RELEASE NO. 201475

ISSUE
3

CHECK

REVISIONS
A 0001352 JAH 03AUG03
B 0017586 TSG 09JAN06

RJ

CHECK

10 OCT 00

SAV

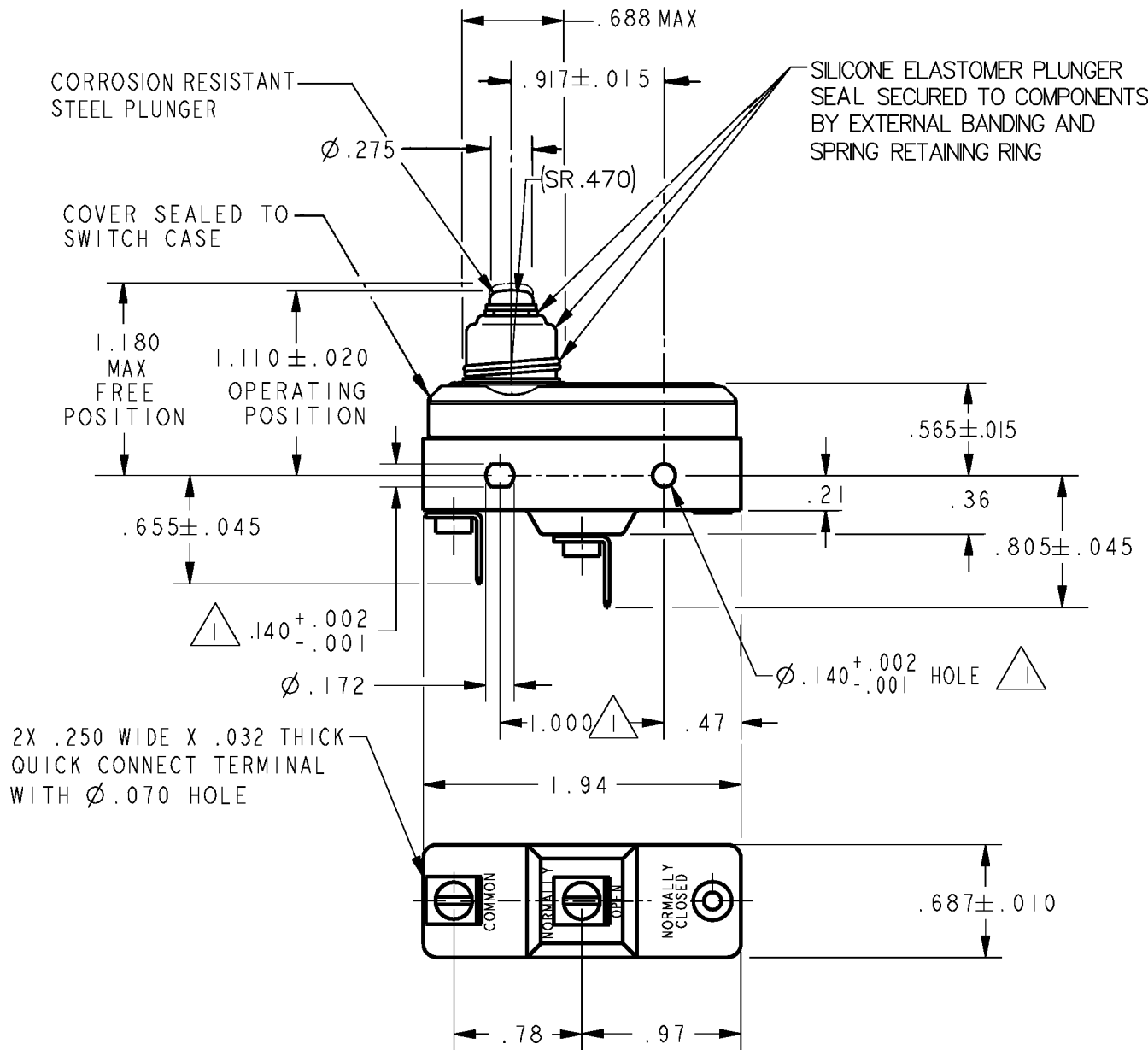
CHECK

10 OCT 00

RASTER
DRAWN

CSL

10 OCT 00



NOTES
 MOUNTING HOLES WILL ACCEPT PINS OR SCREWS OF Ø.139 MAX ON 1.000 ± .002 CENTERS
 2 - SEALED CONSTRUCTION PROVIDES SPLASH RESISTANCE

ANSI Y14.5M-1982 APPLIES

THIS DRAWING COVERS A PROPRIETARY ITEM AND IS THE PROPERTY OF MICRO SWITCH, A DIVISION OF HONEYWELL. THIS DRAWING IS NOT TO BE COPIED OR USED WITHOUT THE APPROVAL OF MICRO SWITCH.

THIRD ANGLE PROJECTION

| CHARACTERISTICS | ELECTRICAL DATA | SCALE | FULL | DO NOT |
|---------------------------------------|--|---|---------|--------|
| | | | | SCALE |
| OPERATING FORCE ----- 8-19 OZ | CONTACT ARRANGEMENT S P N O | UNLESS OTHERWISE SPECIFIED TOLERANCES ARE | | |
| RELEASE FORCE ----- 4 OZ MIN | L96 15A 125, 250 OR 480 VAC 1/8HP 125 VAC, 1/4HP 250 VAC 1/2A 125 VDC, 1/4A 250 VDC | ONE PLACE | (.0) | ±.030 |
| DIFFERENTIAL TRAVEL ----- .0004-.0025 | | TWO PLACE | (.00) | ±.015 |
| OVERTRAVEL ----- .062 MIN | | THREE PLACE | (.000) | ±.005 |
| | L288 L306 L315 | ANGLES | | ± |
| | 16A 250V T85 5E4 | WEIGHT | .076 LB | |