

Specification: (Ta=32°C)	Code:	Description:
Heat transfer, cold side:	XX	
Heat transfer, warm side:	XXX	
Cascade:	-	
Cooling power: [W]		
Voltage, nominal: [VDC]	24	24 VDC (28.5 VDC Max.)
Current, nominal:	-	
TE-Module(s) connections:	-	
Fan(s), cold side:	X	-
Fan(s), warm side:	X	-
Temperature controller, sensor:	E	Pulse Width Modulation (PWM), NTC
Temperature control settings:	C	5°C
Trimtable:		-2 to 17°C
Accuracy & Hysteresis:		±15°C, 0.5°C
Temperature control position:	2	Hot side
Options: Voltage protection:	6	Low voltage: 21.9V=Off/24.2V=On High voltage: 30.3V=Off/30.0V=On
Rapid Cooling / Economy:		Automatic cool down at -26.5V/Economy at -25.3V
Weight:		0.05 kg
Overheating thermostat:		-
Max. operating temperature:		70°C PC board environment
Enclosed:		-
Packing:		Plastic bag

- 2x Ø4.5
- +24VDC IN
- 0VDC IN
- On/Off switch and/or overheating protection thermostat
- On/Off switch and/or overheating protection thermostat
- + TE module
- No connection (For serial TEM wiring only)
- TE module
- + Fan
- Fan
- NTC
- NTC

Revision notes and dates (yyymmdd):

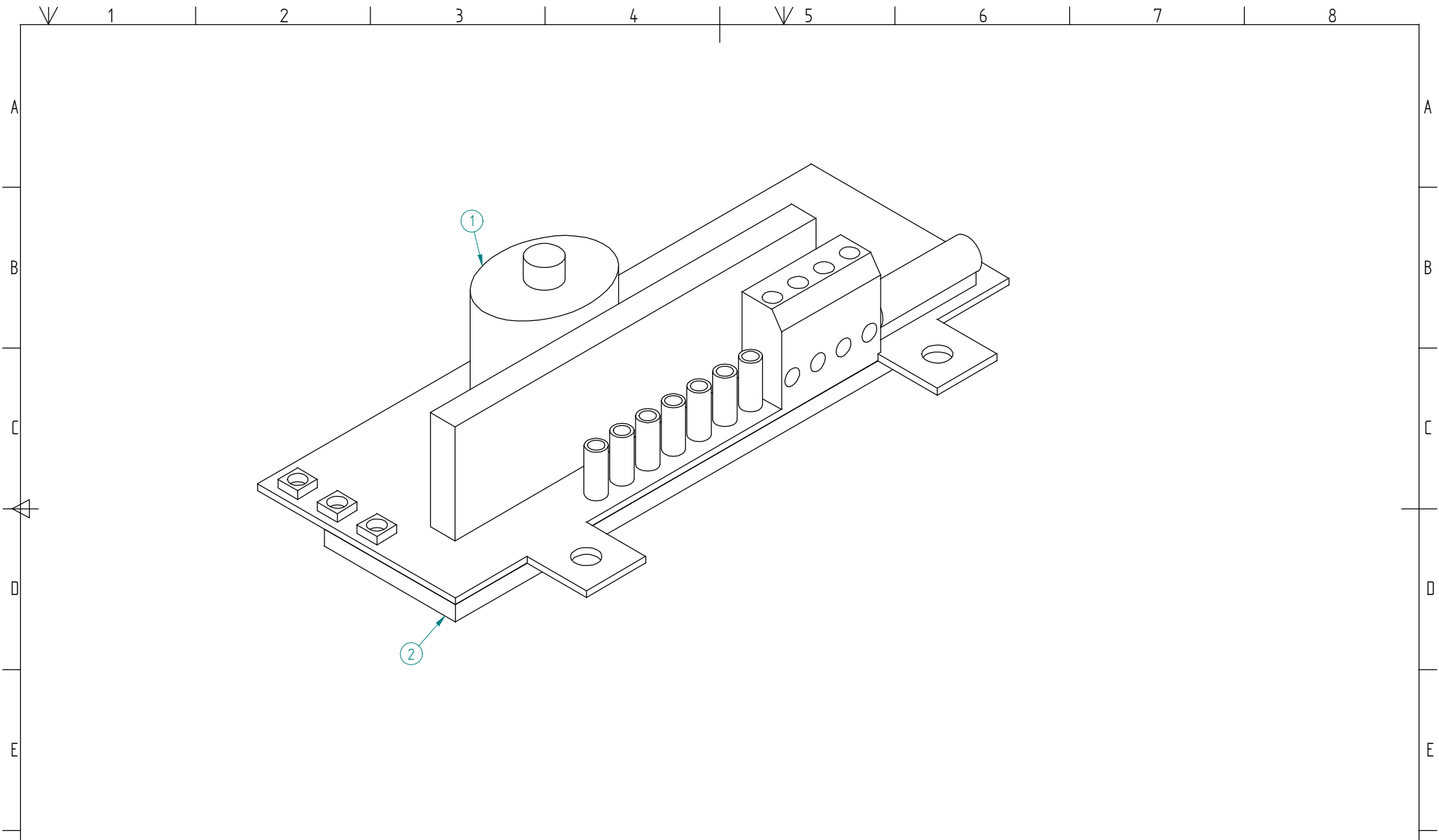
Rev. 0: YYMMDD, First issue.

Weight: 0.047 kg


Comments / deviations:		General tolerances:	
Pulse Width Modulation, Battery guard, High V, Compact		SS-ISO 2768-1 m	
Designed by:	Approved by:	Date: (y/m/d)	Customer:
A.Thorén	H. Lindberg	05/06/07	Supercool AB
Project:		Standard	
Title:			
CONTROL PWM 5°C 24V LOW/HIGH V ACD			
Part nr:	Rev. nr.	Status:	Scale:
TC-24-EC-26	0	0	1:1
Size, sheet		A3, 1/21	



Supercool AB  
 Box 27, S-40120 Göteborg, Sweden  
 tfn +46 31 420530, fax +46 31 247909  
 e-mail: info@supercool.se  
 Web: www.supercool.se



Nr.	Qty.	Part nr.	Title:	Subject:	Material:	Comment:	Sts.	Rev.
1	1	RZE-YACD-24-BANTAT	CONTROL PWM 24V	TYPE E		Pulse Width Modulation	Avai labl e	
2	1	RPL-01615	INSULATION YACD		RG30, Tape 0241, PP Foil 0.5, Black	Electrical insulation	Avai labl e	0

Material:		Comment/Treating: Pulse Width Modulation, Battery gu...		General tolerances: ±0.150/±0.276/±0.127	
Designed by: A.Thorén	Approved by: H.Lindberg	Date: (y/m/d) 05/06/07	Customer: Supercool AB	Project: Standard	
 Supercool AB Box 27, S-40120 Göteborg, Sweden tfn: +46 31 420530, fax: +46 31 247909 e-mail: info@supercool.se Web: www.supercool.se		Title: CONTROL PWM 5°C 24V LOW/HIGH V ACB			
		Part nr: TC-24-EC-26	Rev. nr.: 0	Status: 0	Scale: 1:1