

**DESCRIPTION**

The Microsemi LX1995-x is a miniature LED driver with integrated drivers. It is designed to drive white or color LEDs in portable display applications. The LX1995-x is an adjustable step-up boost converter. The LX1995-x can switch up to 2MHz allowing designers to use a low cost, small inductor and filter capacitor.

The driver supports a wide input voltage range (1.6V to 5.5V) with efficiency greater than 85% and can start up at 1.6V input. The LX1995-x is a low cost, high efficiency LED driver. The design is based on a pseudo-hysteretic pulse frequency modulation topology. In portable battery applications the LX1995-x offers high system efficiency with low quiescent current: in operation  $I_Q$  is  $< 70\mu A$  and in standby  $I_Q$  is  $< 1\mu A$ .

The LX1995-x output current is programmable using an external current sense resistor in series with LEDs. This configuration provides a feedback to the FB pin which maintains constant output current independent of input voltage and LED forward voltage (VF). LED dimming is accomplished using a PWM signal or varying DC voltage methods.

The LX1995-x is available in the 5-Pin TSOT and SOT-23 package. The LX1995-1 can drive up to 6 LEDs (switching current is 325mA). The LX1995-2 can drive up to 10 LEDs (switching current is 500mA).

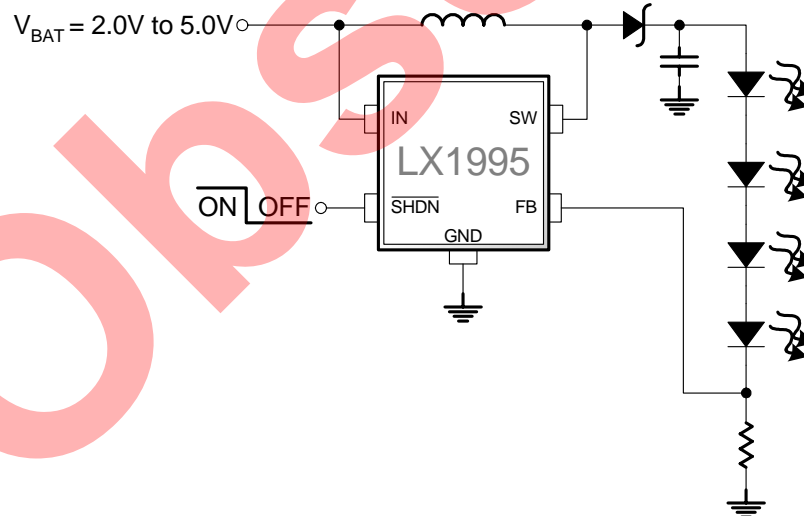
**KEY FEATURES**

- $< 1\mu A$  Shutdown Current
- $> 85\%$  Maximum Efficiency
- Efficient at Low Current Levels
- $< 70\mu A$  Quiescent Supply Current in Operating Mode
- $V_{IN}$  Range 1.6V to 5.5V
- Logic Controlled Shutdown
- Dimming Options: PWM or Varying DC Voltage
- Tiny 5-Pin TSOT Package
- Smallest External Components

**APPLICATIONS**

- Pagers
- Wireless Phones
- PDAs
- LED Driver
- Digital Camera Displays
- GPS Receivers

**IMPORTANT:** For the most current data, consult MICROSEMI's website: <http://www.microsemi.com>

**PRODUCT HIGHLIGHT**

**PACKAGE ORDER INFO**

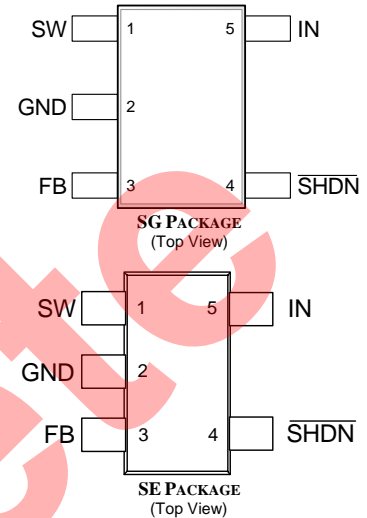
$T_A$ (°C)	Switch Current	Plastic TSOT 5-Pin		Plastic SOT-23 5-Pin	
		<b>SG</b>	RoHS Compliant / Pb-free	<b>SE</b>	RoHS Compliant / Pb-free Transition DC: 0503
-40 to 85	325mA	<b>LX1995-1CSG</b>		<b>LX1995-1CSE</b>	
-40 to 85	500mA	<b>LX1995-2CSG</b>		<b>LX1995-2CSE</b>	

Note: Available in Tape & Reel. Append the letters "TR" to the part number. (i.e. LX1995-1CSG-TR)

**ABSOLUTE MAXIMUM RATINGS**

Supply Input Voltage .....	-0.3V to 7.0V
Feedback Peak Pulse Input Voltage ( $V_{FB}$ ) .....	-0.3V to $V_{IN} + 0.3V$
Shutdown Input Voltage ( $V_{SHDN}$ ) .....	-0.3V to $V_{IN} + 0.3V$
Switch Voltage ( $V_{SW}$ ) .....	-0.3V to 30V
Switch Current ( $I_{SW}$ ) .....	500mA
Operating Temperature Range .....	-40°C to 85°C
Maximum Operating Junction Temperature .....	125°C
Storage Temperature Range .....	-65°C to 150°C
Peak Package Solder Reflow Temp. (40 second max. exposure) ...	260°C (+0, -5)

Note: Exceeding these ratings could cause damage to the device. All voltages are with respect to Ground. Currents are positive into, negative out of specified terminal.

**PACKAGE PIN OUT**


RoHS / Pb-free 100% Matte Tin Lead Finish

**THERMAL DATA**
**SG Plastic TSOT 5-Pin**

THERMAL RESISTANCE-JUNCTION TO AMBIENT, $\theta_{JA}$	207°C/W
---	---------

**SE Plastic SOT-23 5-Pin**

THERMAL RESISTANCE-JUNCTION TO AMBIENT, $\theta_{JA}$	191°C/W
---	---------

Junction Temperature Calculation:  $T_J = T_A + (P_D \times \theta_{JA})$ .

The  $\theta_{JA}$  numbers are guidelines for the thermal performance of the device/pc-board system. All of the above assume no ambient airflow.

**FUNCTIONAL PIN DESCRIPTION**

Name	Description
SW	Inductor Switching Connection – Internally connected to the drain of a 28V N-channel MOSFET. SW is high impedance in shutdown.
GND	Common terminal for ground reference.
FB	Feedback Input – Connect to a current sense resistor between the load and GND to set the maximum output current. FB pin is regulated to 320mV.
$\overline{SHDN}$	Active-Low Shutdown Input – A logic low shuts down the device and reduces the supply current to <math>1\mu A</math>. Connect $\overline{SHDN}$ to $V_{CC}$ for normal operation.
IN	Unregulated IC Supply Voltage Input – Input range from +2.0V to +5.5V. Bypass with a 1 $\mu$ F or greater capacitor for low voltage operation.

**ELECTRICAL CHARACTERISTICS**

Unless otherwise specified, the following specifications apply over the operating ambient<sup>1</sup> temperature  $0^{\circ}\text{C} \leq T_A \leq 70^{\circ}\text{C}$  except where otherwise noted and the following test conditions:  $V_{\text{IN}} = 3\text{V}$ ,  $V_{\text{SHDN}} = V_{\text{IN}}$ . Unless where indicated, these parameters apply to both the LX1995-1 and LX1995-2 part versions.

Parameter	Symbol	Test Conditions	LX1995-x			Units
			Min	Typ	Max	
Operating Voltage	$V_{\text{IN}}$		1.6		5.5	V
Minimum Start-up Voltage	$V_{\text{SU}}$	$T_A = +25^{\circ}\text{C}$			1.6	V
Start-up Voltage Temperature Coefficient	$k_{\text{VST}}$	Guaranteed; not tested		-2		$\text{mV}/^{\circ}\text{C}$
Quiescent Current	$I_{\text{Q}}$	Not switching		70	100	$\mu\text{A}$
		$V_{\text{SHDN}} < 0.4\text{V}$		0.2	0.5	$\mu\text{A}$
FB Threshold Voltage	$V_{\text{FB(TH)}}$		288	320	352	mV
FB Input Bias Current	$I_{\text{FB}}$	Not Switching, $V_{\text{FB}} = 400\text{mV}$	-10		10	nA
Shutdown Input Bias Current	$I_{\text{SHDN}}$	$V_{\text{SHDN}} = 0\text{V}$	-100		100	nA
Shutdown Low Input Voltage	$V_{\text{SHDN}}$				0.6	V
Shutdown High Input Voltage			1.4			V
Switch Peak Current	$I_{\text{PEAK}}$	$L = 47\mu\text{H}$ ; LX1995-1	250	325	400	mA
Switch Peak Current	$I_{\text{PEAK}}$	$L = 47\mu\text{H}$ ; LX1995-2	400	500	600	mA
Minimum Switch Off-Time	$t_{\text{OFF}}$	$T_A = +25^{\circ}\text{C}$ ; $V_{\text{FB}} < V_{\text{FB(TH)}}$		300		ns
Switch Pin Leakage Current	$I_{\text{LEAK}}$	$V_{\text{SW}} = 28\text{V}$		0.23		$\mu\text{A}$

Note:

1. Low duty cycle pulse testing techniques are used which maintains junction and case temperatures equal to the ambient temperature.
2. Functionality over the  $-40^{\circ}\text{C}$  to  $+85^{\circ}\text{C}$  operating temperature range is assured by design, characterization, and correlation.

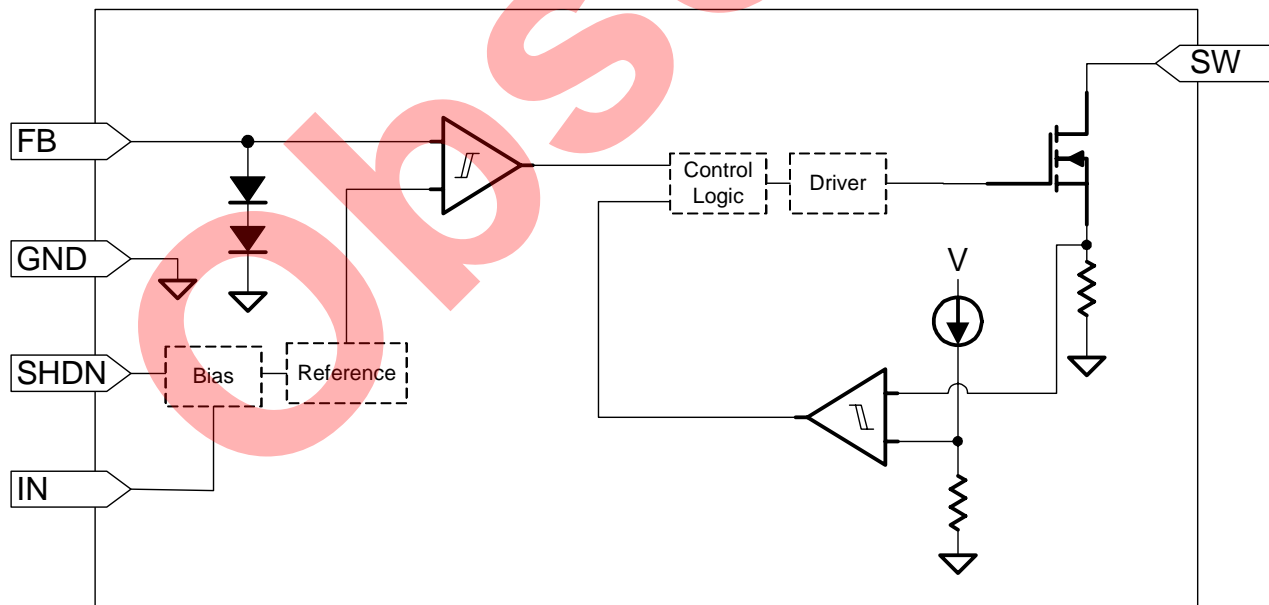
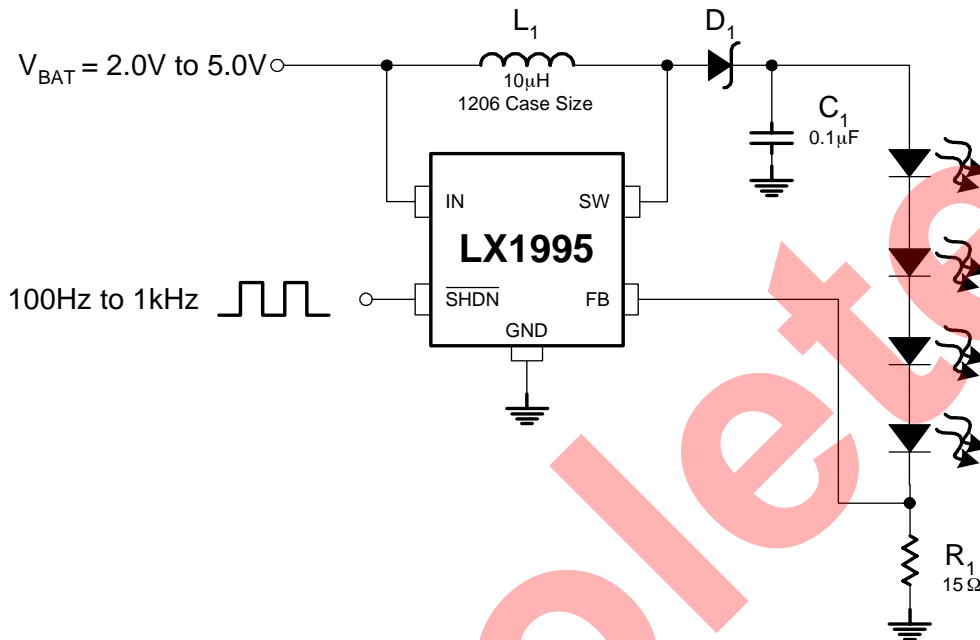
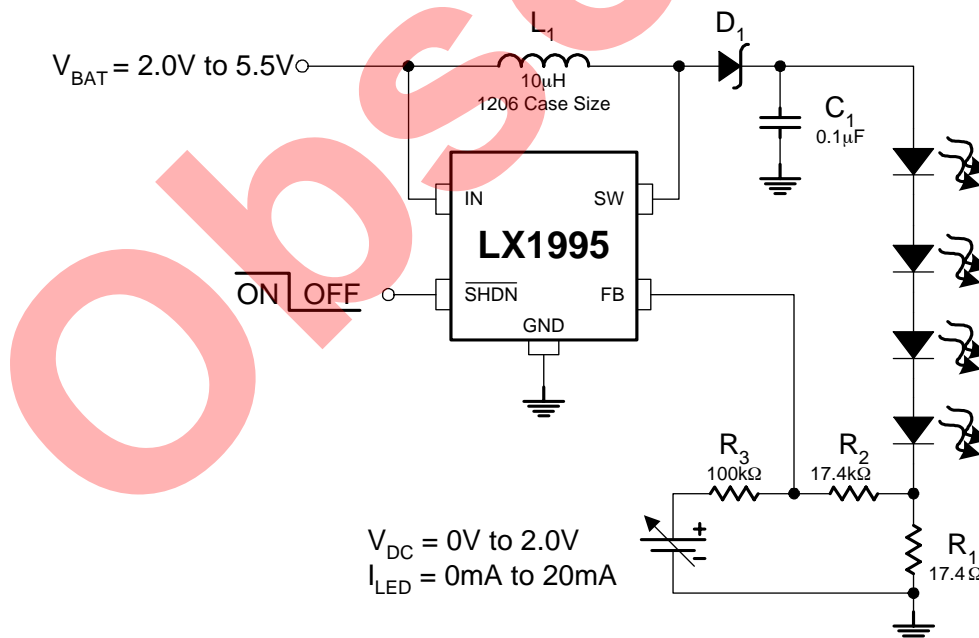
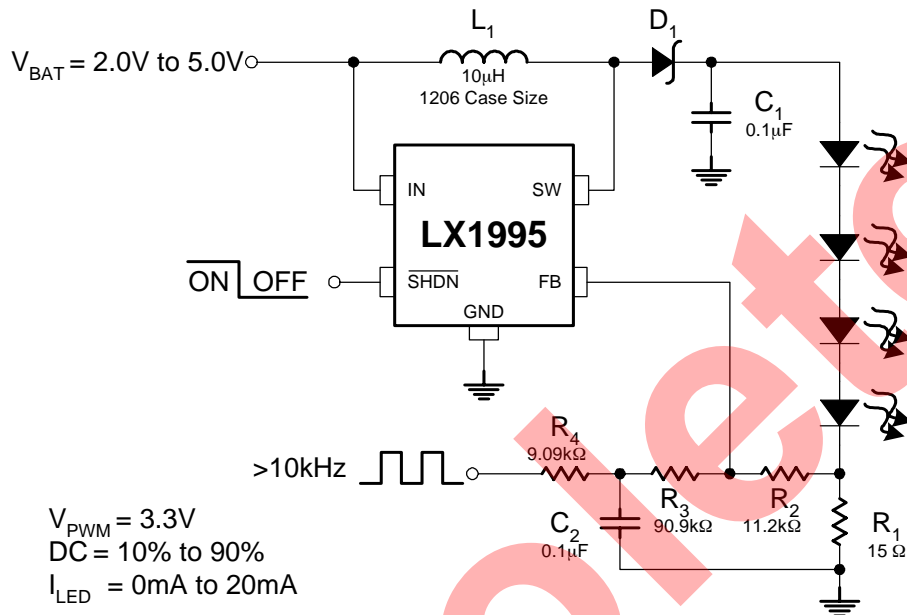
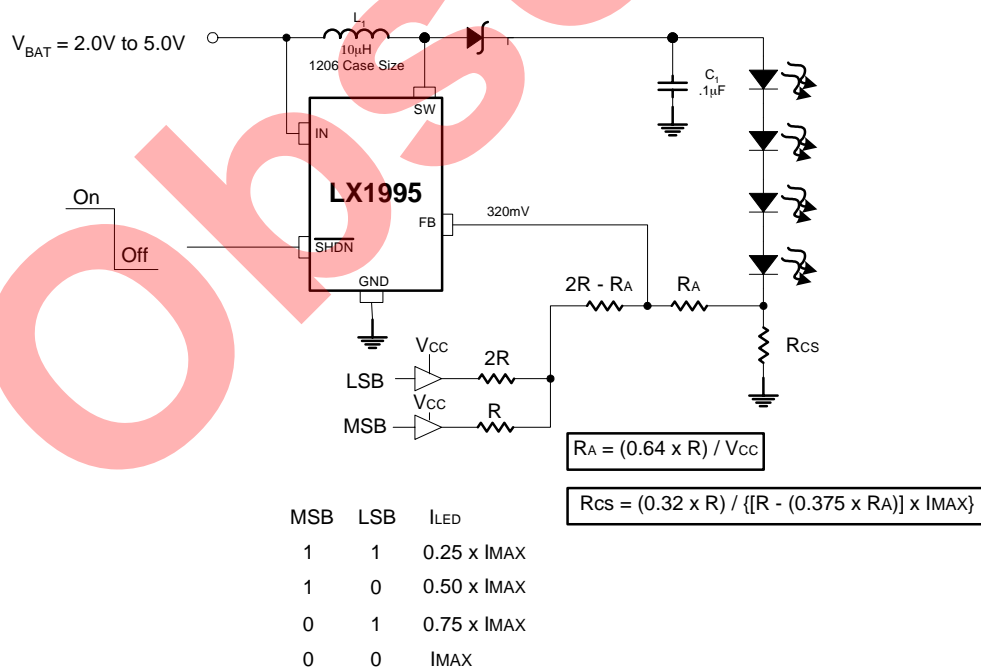
**SIMPLIFIED BLOCK DIAGRAM**


Figure 1 – Simplified Block Diagram

**APPLICATION CIRCUITS**

**Figure 2 – Typical Bust Mode Dimming LED Driver Application**

**Figure 3 – Analog Voltage Dimming LED Driver Application**

The component values shown are only examples for a working system. Actual values will vary greatly depending on desired parameters, efficiency, and layout constraints.

**APPLICATION CIRCUITS**

**Figure 4 – PWM to Analog Voltage Dimming LED Driver Application**

**Figure 5 – Binary Dimming LED Driver Application**

The component values shown are only examples for a working system. Actual values will vary greatly depending on desired parameters, efficiency, and layout constraints.

**THEORY OF OPERATION**
**OPERATING THEORY**

The LX1995-x is a PFM boost converter optimized for driving a series of white or color LEDs. It operates in a pseudo-hysteretic mode with a fixed, 300ns, switch “off time”. When the LX1995-x enables, the LED current decreases causing the FB voltage to decrease to a value less than 320mV. The feedback comparator (See Simplified Block Diagram) activates the control logic. The control logic turns on the DRV output circuit that connects to the internal N-Channel MOSFET gate. The switch output (SW) is switched “on” and remains “on” until the inductor current ramps up to the peak current level (typically 325mA for LX1995-1).

The LED load is powered from energy stored in the output capacitor during the inductor charging cycle. Once the peak inductor current value is achieved, the output is turned off and the energy stored in the inductor delivers to the load. This causes the voltage to rise across the current setting resistor ( $R_1$ ) at the input to the feedback circuit. The LX1995-x continues to switch until the voltage at the FB pin exceeds 320mV. The value of  $R_1$  is calculated by dividing 320mV by the maximum series LED current. A minimum value of  $3.3\Omega$  is recommended for  $R_{SET}$ . The voltage at the FB pin is the product of the LED current ( $I_{LED}$ ) and  $R_1$ .

$$R_1 = \frac{320\text{mV}}{I_{LED(\text{MAX})}} \quad \text{eq. 1}$$

**DIMMING METHODS**

LX1995-x supports two dimming methods: PWM or DC Voltage.

**PWM mode:** Connect system PWM logic signal to the SHDN pin (See Figure 1). This turns the LX1995-X on and off which pulses the LED current between zero and the setting determined by  $R_1$ .

**DC Voltage mode:** The designer can apply an adjustable DC voltage supply to the FB pin. As the DC voltage increases, the LED current decreases. The equation (see Figure 3) is:

$$I_{LED} = \frac{1}{R_1} \left[ 320\text{mV} \cdot \left( \frac{R_2 + R_3}{R_3} \right) - V_{ADJ} \cdot \left( \frac{R_2}{R_3} \right) \right] \quad \text{eq. 2}$$

**INDUCTOR SELECTION AND OUTPUT CURRENT LIMIT PROGRAMMING**

Microsemi recommends the use inductors (for the LX1995-1) in the range of  $10\mu\text{H}$  to  $47\mu\text{H}$  due to saturation of peak inductor current. By increasing the average inductor current, the LX1995-x will extend the power range. Smaller inductor values will reduce output voltage ripple and are smaller in size.

**OUTPUT RIPPLE AND CAPACITOR SELECTION**

Output voltage ripple is depended on the selection of the inductor value ( $L$ ), output capacitor value ( $C_{OUT}$ ), peak switch current ( $I_{PEAK}$ ), load current ( $I_{OUT}$ ), input voltage ( $V_{IN}$ ) and the output voltage ( $V_{OUT}$ ). The peak-to-peak voltage ripple is a function of the output droop (as the inductor current charges to  $I_{PEAK}$ ), the feedback transition error (i.e., typically 10mV), and the output overshoot (energy stored in the inductor). When the switch is first turn on, the total ripple voltage is:

$$V_{RIPPLE} = \Delta V_{DROOP} + \Delta V_{OVERSHOOT} + 10\text{mV} \quad \text{eq. 3}$$

The initial droop can be estimated with the assumption of 0.5V of voltage drop across the inductor and FET  $R_{DS(ON)}$ .

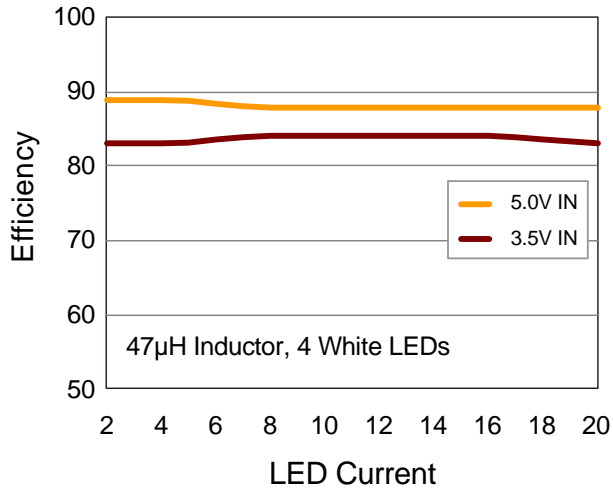
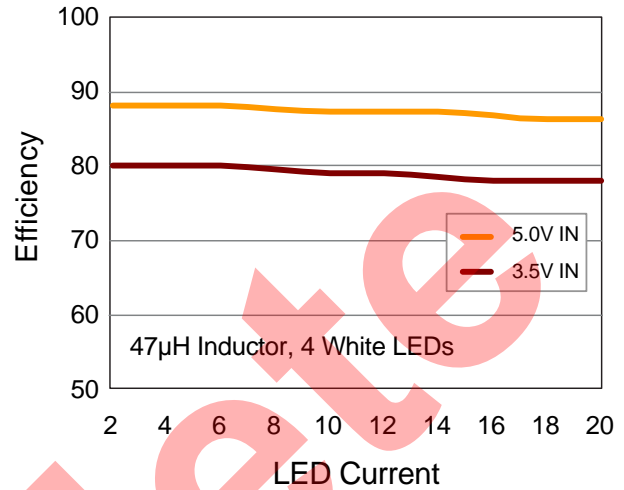
$$\Delta V_{DROOP} = \frac{\left( \frac{L}{C_{OUT}} \right) \cdot (I_{PK} \times I_{LED})}{V_{IN} - 0.5} \quad \text{eq. 4}$$

The output overshoot calculated with 0.5V as voltage drop across the diode.

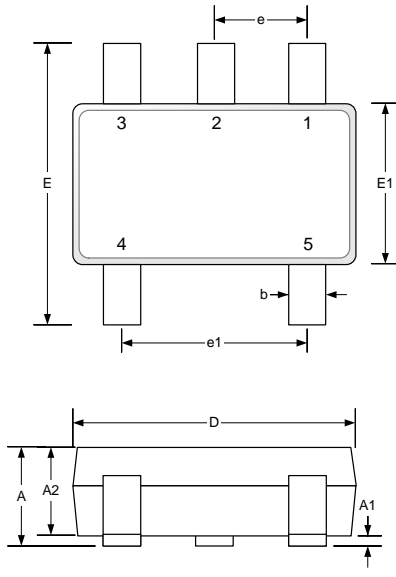
$$\Delta V_{OVERSHOOT} = \frac{\frac{1}{2} \cdot \left( \frac{L}{C_{OUT}} \right) \cdot (I_{PK} - I_{LED})^2}{V_{OUT} - V_{IN} + 0.5} \quad \text{eq. 5}$$

Once the output voltage ripple is determined for the selected components, the output capacitor can then be adjusted to meet the target ripple voltage requirements.

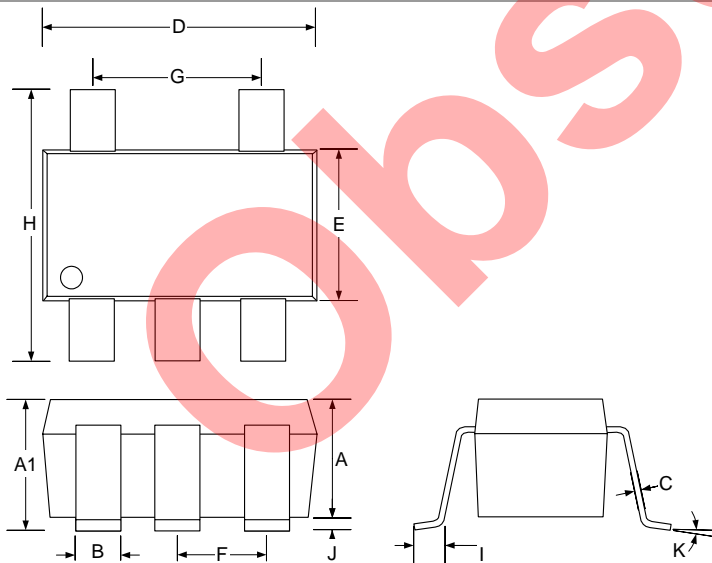
The LX1995-x is targeted for LED driver applications; output voltage ripple is not a critical application requirement.

**LX1995-1 EFFICIENCY**

**LX1995-2 EFFICIENCY**


Obsoleto

**PACKAGE DIMENSIONS**
**SG 5-Pin Thin Shrink Small Outline Package (TSOT)**


Dim	MILLIMETERS		INCHES	
	MIN	MAX	MIN	MAX
A	-	1.00	-	0.039
A1	0.01	0.10	0.0004	0.004
A2	0.84	0.90	0.033	0.035
b	0.30	0.45	0.012	0.018
C	0.12	0.20	0.005	0.008
D	2.90 BSC		0.114 BSC	
E	2.80 BSC		0.110 BSC	
E1	1.60 BSC		0.063 BSC	
e	0.95 BSC		0.037 BSC	
L	0.30	0.40	0.012	0.016
L2	0.25 BSC		0.010 BSC	

**SE 5-Pin Small Outline Package (SOT-23)**


Dim	MILLIMETERS		INCHES	
	MIN	MAX	MIN	MAX
A	0.90	1.30	0.035	0.051
A1	0.90	1.45	0.035	0.057
B	0.25	0.50	0.010	0.020
C	0.09	0.20	0.004	0.008
D	2.80	3.10	0.110	0.122
E	1.50	1.75	0.059	0.069
F	0.95 BSC		0.038 BSC	
G	1.90 BSC		0.075 BSC	
H	2.60	3.00	0.102	0.118
I	0.35	0.55	0.014	0.022
J	0.00	0.15	0.000	0.006
K	10° MAX		10° MAX	

**Note:** Dimensions do not include mold flash or protrusions; these shall not exceed 0.155mm(.006") on any side. Lead dimension shall not include solder coverage.





**Microsemi**<sup>®</sup>

**LX1995**

**Miniature LED Driver**

**PRODUCTION DATA SHEET**

**NOTES**

**Obsolete**

PRODUCTION DATA – Information contained in this document is proprietary to Microsemi and is current as of publication date. This document may not be modified in any way without the express written consent of Microsemi. Product processing does not necessarily include testing of all parameters. Microsemi reserves the right to change the configuration and performance of the product and to discontinue product at any time.