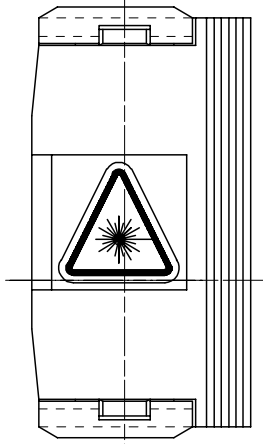
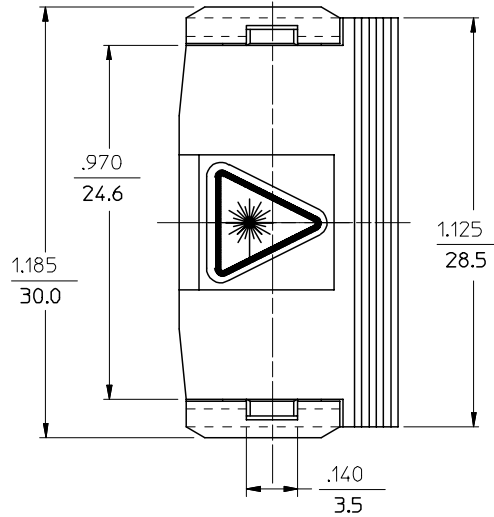


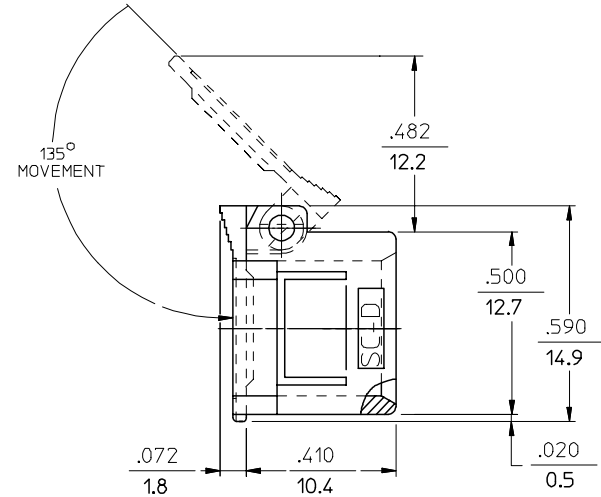
SHIELD ASSEMBLY P/N	COLOR
106166-0200	BLUE
106166-0210	BEIGE
106166-0230	BLACK
106166-0240	RED
106166-0250	GREEN
106166-0220	AQUA



VIEW A  
VARIATION 1  
FOR LABEL INSTALLATION  
(SEE NOTE 1)



VIEW A  
VARIATION 2  
FOR LABEL INSTALLATION  
(SEE NOTE 1)



NOTES:  
1. LABEL MUST BE INSTALLED AND ORIENTED BY CUSTOMER. (SEE VIEW A)

ENTER DESCRIPTION EC NO: MF2006-0237 DRW: NPG/BLN CHKD: 2005/11/29 APPR: IGUMIN 2005/11/29	QUALITY SYMBOLS ▽=0 ▽=0	GENERAL TOLERANCES (UNLESS SPECIFIED)		DIMENSION STYLE	SCALE	DESIGN UNITS	THIRD ANGLE PROJECTION
		mm	INCH	IN/MM	4:1	INCH	
A	REV	4 PLACES	± ---	± ---	DRAWN BY	DATE	TITLE SHIELD ASSEMBLY (SC-D)
		3 PLACES	± ---	± ---	RPACIFIC I	2005/10/11	
A	REV	2 PLACES	± ---	± ---	CHECKED BY	DATE	MOLEX INCORPORATED
		1 PLACE	± ---	± ---	APPROVED BY	DATE	
		ANGULAR ±1/2°		MATERIAL NO.	DOCUMENT NO.		SHEET NO.
		DRAFT WHERE APPLICABLE MUST REMAIN WITHIN DIMENSIONS		SEE TABLE		SD-106166-02X0	1 OF 01
				THIS DRAWING CONTAINS INFORMATION THAT IS PROPRIETARY TO MOLEX INCORPORATED AND SHOULD NOT BE USED WITHOUT WRITTEN PERMISSION			