



PD55035-E PD55035S-E

RF POWER transistor, LdmoST plastic family N-channel enhancement-mode, lateral MOSFETs

Features

- Excellent thermal stability
- Common source configuration
- $P_{OUT} = 35\text{ W}$ with 16.9dB gain @ 500 MHz / 12.5 V
- New RF plastic package

Description

The device is a common source N-channel, enhancement-mode lateral field-effect RF power transistor. It is designed for high gain, broad band commercial and industrial applications. It operates at 12 V in common source mode at frequencies of up to 1 GHz. The device boasts the excellent gain, linearity and reliability of ST's latest LDMOS technology mounted in the first true SMD plastic RF power package, PowerSO-10RF. Device's superior linearity performance makes it an ideal solution for car mobile radio. The PowerSO-10 plastic package, designed to offer high reliability, is the first ST JEDEC approved, high power SMD package. It has been specially optimized for RF needs and offers excellent RF performances and ease of assembly. Mounting recommendations are available in www.st.com/rf/ (look for application note AN1294).

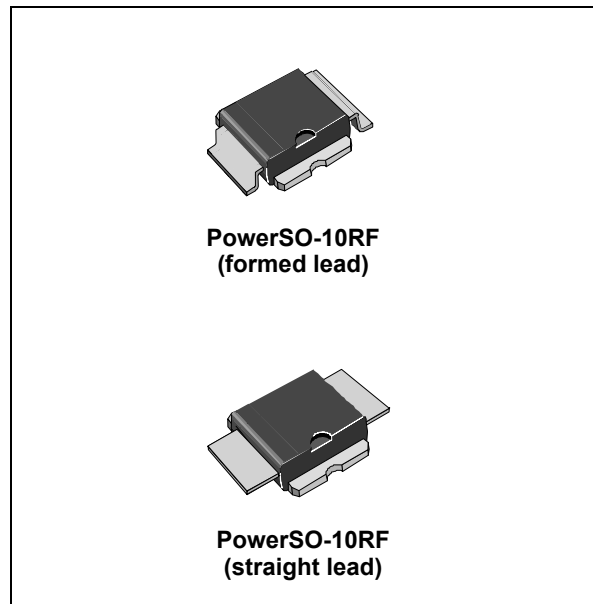


Figure 1. Pin connection

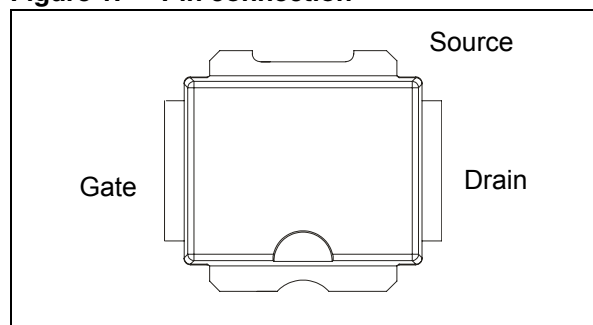


Table 1. Device summary

Order code	Package	Packing
PD55035-E	PowerSO-10RF (formed lead)	Tube
PD55035S-E	PowerSO-10RF (straight lead)	Tube
PD55035TR-E	PowerSO-10RF (formed lead)	Tape and reel
PD55035STR-E	PowerSO-10RF (straight lead)	Tape and reel

Contents

1	Electrical data	3
1.1	Maximum ratings	3
1.2	Thermal data	3
2	Electrical characteristics	4
2.1	Static	4
2.2	Dynamic	4
2.3	Moisture sensitivity level	4
3	Impedance	5
4	Typical performance	6
5	Test circuit	9
6	Typical performance 175 MHz	10
7	Common source s-parameter	12
8	Package mechanical data	16
9	Revision history	21

1 Electrical data

1.1 Maximum ratings

Table 2. Absolute maximum ratings ($T_{CASE} = 25^{\circ}C$)

Symbol	Parameter	Value	Unit
$V_{(BR)DSS}$	Drain-source voltage	40	V
V_{GS}	Gate-source voltage	± 20	V
I_D	Drain current	7	A
P_{DISS}	Power dissipation (@ $T_C = 70^{\circ}C$)	95	W
T_J	Max. operating junction temperature	165	$^{\circ}C$
T_{STG}	Storage temperature	-65 to +150	$^{\circ}C$

1.2 Thermal data

Table 3. Thermal data

Symbol	Parameter	Value	Unit
R_{thJC}	Junction - case thermal resistance	1.0	$^{\circ}C/W$

2 Electrical characteristics

$T_{CASE} = +25\text{ }^{\circ}\text{C}$

2.1 Static

Table 4. Static

Symbol	Test conditions		Min.	Typ.	Max.	Unit
I_{DSS}	$V_{GS} = 0$	$V_{DS} = 28\text{ V}$			1	μA
I_{GSS}	$V_{GS} = 20\text{ V}$	$V_{DS} = 0$			1	μA
$V_{GS(Q)}$	$V_{DS} = 28\text{ V}$	$I_D = 100\text{ mA}$	2.0		5.0	V
$V_{DS(ON)}$	$V_{GS} = 10\text{ V}$	$I_D = 3\text{ A}$		0.8	0.95	V
G_{FS}	$V_{DS} = 10\text{ V}$	$I_D = 3\text{ A}$	2.5			mho
C_{ISS}	$V_{GS} = 0$	$V_{DS} = 12.5\text{ V}$		92		pF
C_{OSS}	$V_{GS} = 0$	$V_{DS} = 12.5\text{ V}$		73		pF
C_{RSS}	$V_{GS} = 0$	$V_{DS} = 12.5\text{ V}$		6.1		pF

2.2 Dynamic

Table 5. Dynamic

Symbol	Test conditions		Min.	Typ.	Max.	Unit
P_{OUT}	$V_{DD} = 12.5\text{ V}$, $I_{DQ} = 200\text{ mA}$	$f = 500\text{ MHz}$	35			W
G_P	$V_{DD} = 12.5\text{ V}$, $I_{DQ} = 200\text{ mA}$, $P_{OUT} = 35\text{ W}$, $f = 500\text{ MHz}$		13	16.9		dB
η_D	$V_{DD} = 12.5\text{ V}$, $I_{DQ} = 200\text{ mA}$, $P_{OUT} = 35\text{ W}$, $f = 500\text{ MHz}$			62		%
Load mismatch	$V_{DD} = 15.5\text{ V}$, $I_{DQ} = 200\text{ mA}$, $P_{OUT} = 35\text{ W}$, $f = 500\text{ MHz}$ All phase angles		20:1			VSWR

2.3 Moisture sensitivity level

Table 6. Moisture sensitivity level

Test methodology	Rating
J-STD-020B	MSL 3

3 Impedance

Figure 2. Current conventions



Table 7. Impedance data

Freq. (MHz)	$Z_{IN} (\Omega)$	$Z_{DL}(\Omega)$
175	$3.34 - j 5.84$	$1.67 + j 1.45$
480	$0.53 - j 1.08$	$0.86 + j 0.25$
500	$0.45 - j 1.21$	$1.05 + j 0.03$
520	$0.42 - j 1.20$	$1.04 + j 0.15$

4 Typical performance

Figure 3. Capacitance vs supply voltage

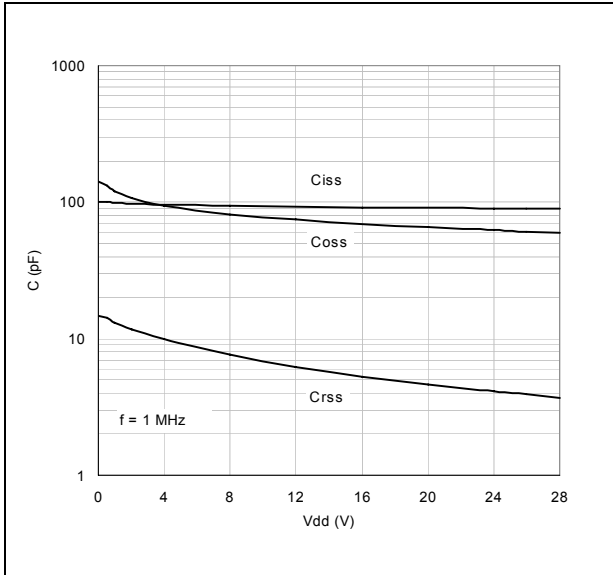


Figure 4. Drain current vs gate source voltage

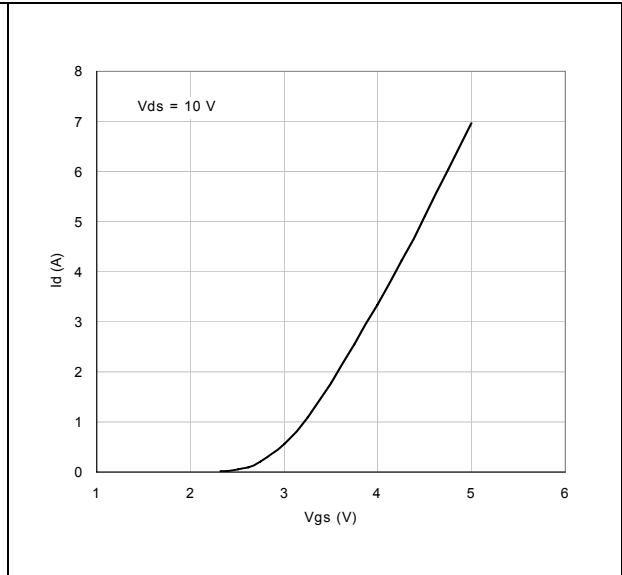


Figure 5. Gate-source voltage vs case temperature

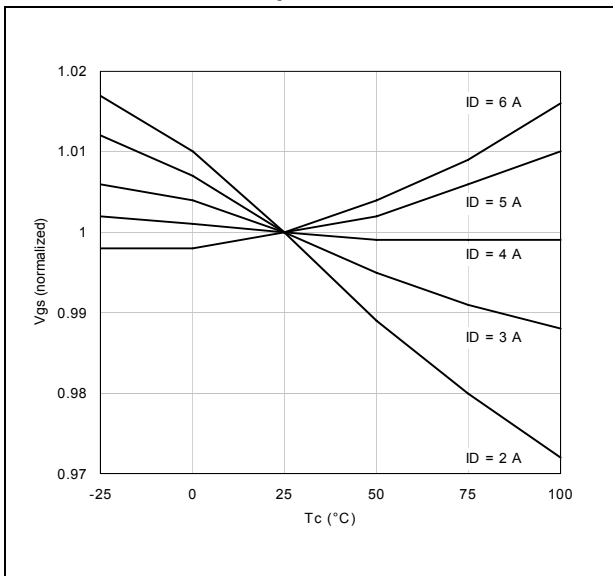


Figure 6. Output power vs input power

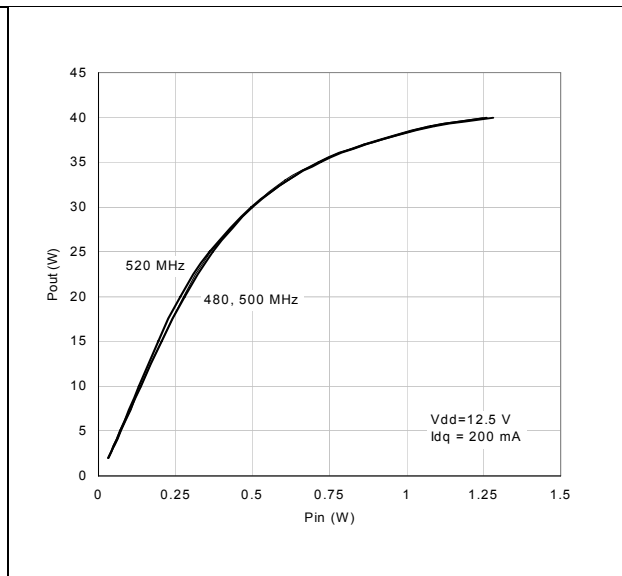


Figure 7. Power gain vs output power

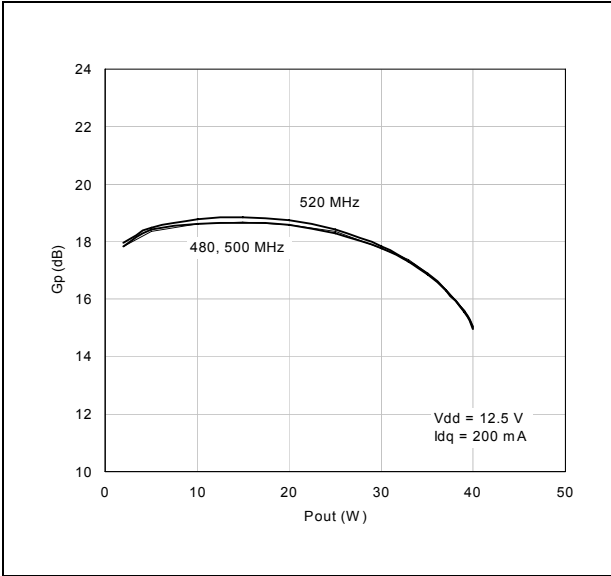


Figure 8. Efficiency vs output power

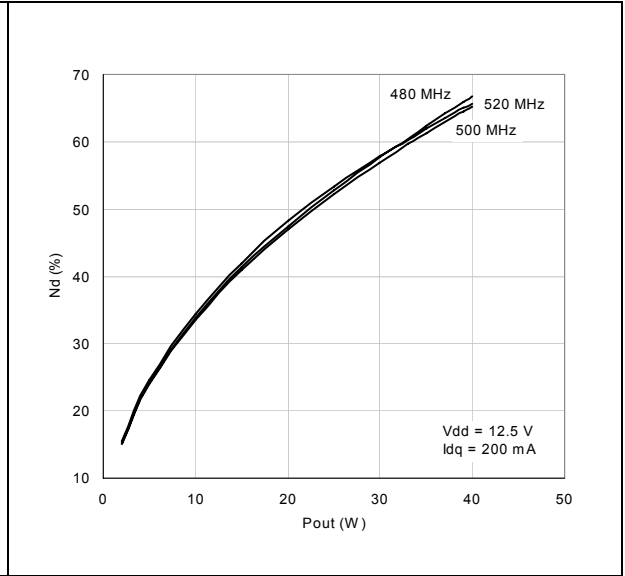


Figure 9. Input return loss vs output power

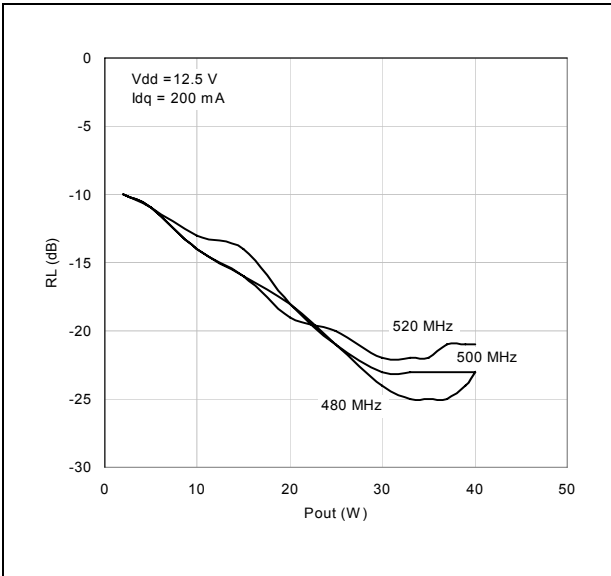


Figure 10. Output power vs bias current

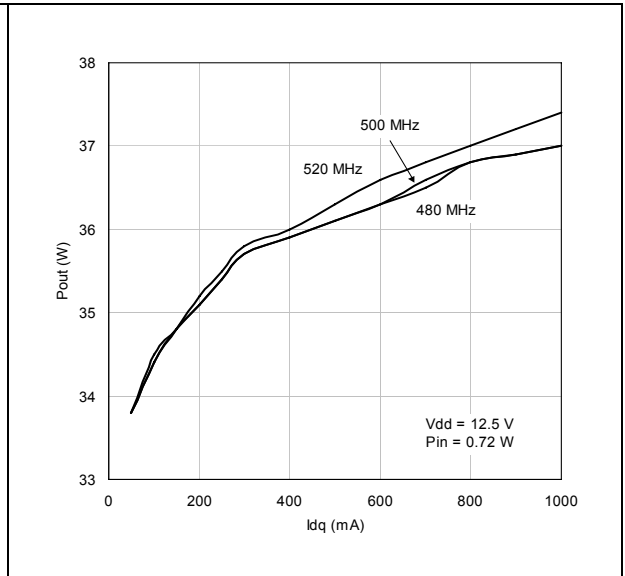


Figure 11. Efficiency vs bias current

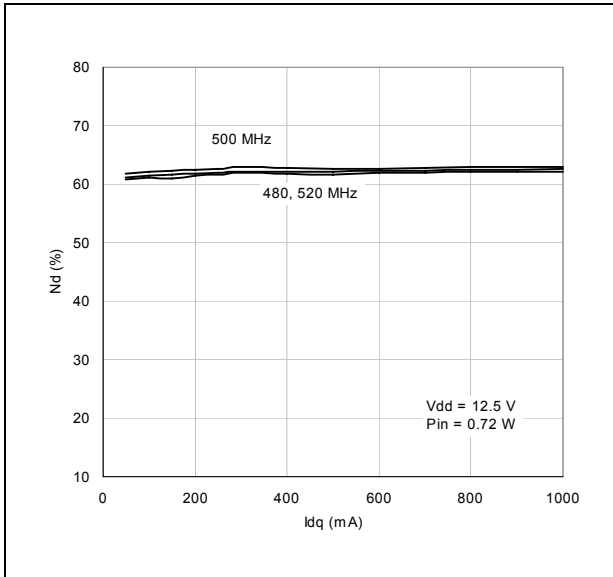


Figure 12. Output power vs supply voltage

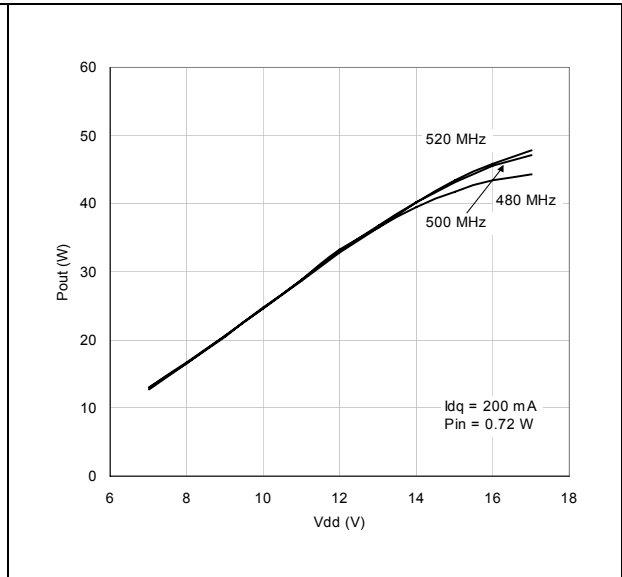


Figure 13. Efficiency vs supply voltage

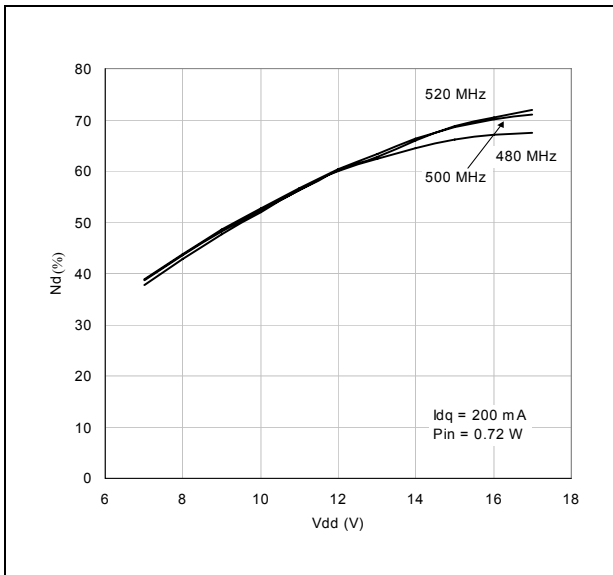
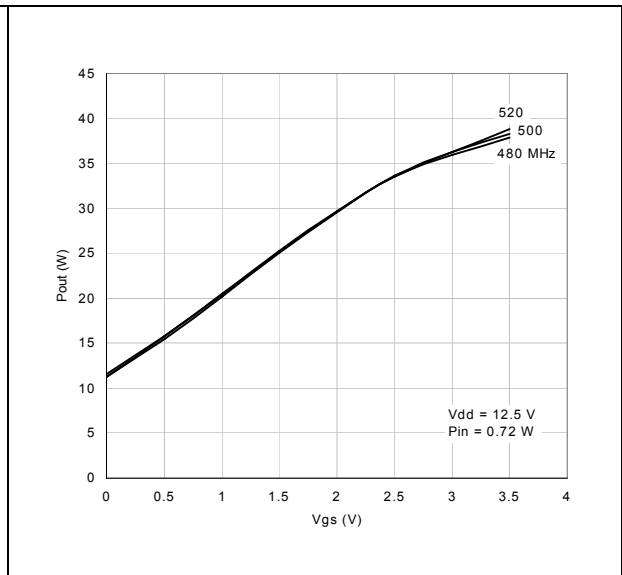


Figure 14. Output power vs gate voltage



5 Test circuit

Figure 15. 500 MHz test circuit schematic (engineering)

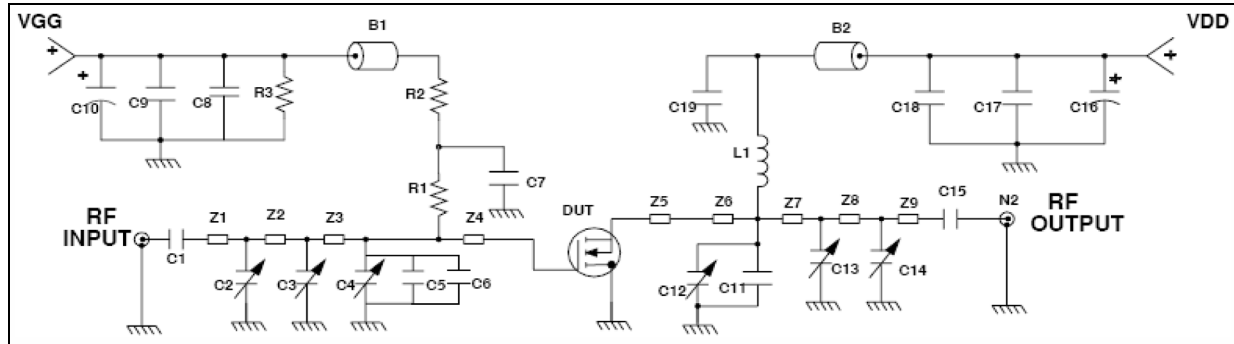


Table 8. Test circuit component part list

Component	Description
B1,B2	Ferrite bead
C1,C13	300 pF, 100 mil chip capacitor
C2,C3,C4,C12,C13,C14	1 to 20 pF trimmer capacitor
C6	39 pF ATC 100B surface mount ceramic chip capacitor
C7, C19	120 pF 100 mil chip capacitor
C10, C16	10 μ F, 50 V electrolytic capacitor
C9, C17	0.1 mF, 100 mil chip cap
C8, C18	1.000 pF 100 mil chip cap
C5, C11	33 pF, 100 mil chip cap
L1	56 nH, 7 turn, Coilcraft
N1, N2	Type N flange mount
R1	15 Ω , 1 W chip resistor
R2	1 k Ω , 1 W chip resistor
R3	33 k Ω , 1 W chip resistor
Z1	0.471" X 0.080" microstrip
Z2	1.082" X 0.080" microstrip
Z3	0.372" X 0.080" microstrip
Z4,Z5	0.260" X 0.223" microstrip
Z6	0.050" X 0.080" microstrip
Z7	0.551" X 0.080" microstrip
Z8	0.825" X 0.080" microstrip
Z9	0.489" X 0.080" microstrip
Board	Roger, ultra lam 2000 THK 0.030", $\epsilon_r = 2.55$ 2oz. ED cu 2 sides.

6 Typical performance 175 MHz

Figure 16. Output power vs input power

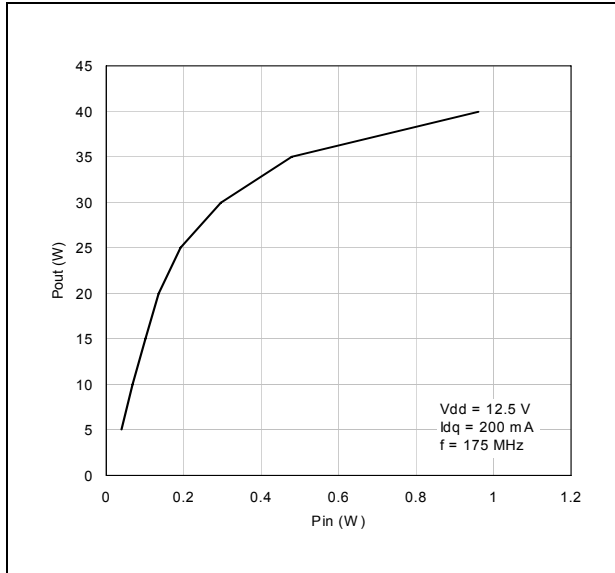


Figure 17. Power gain vs output power

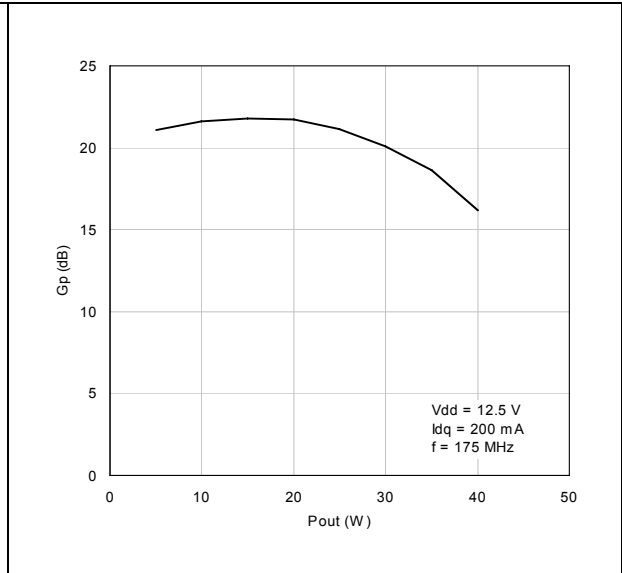


Figure 18. Efficiency vs output power

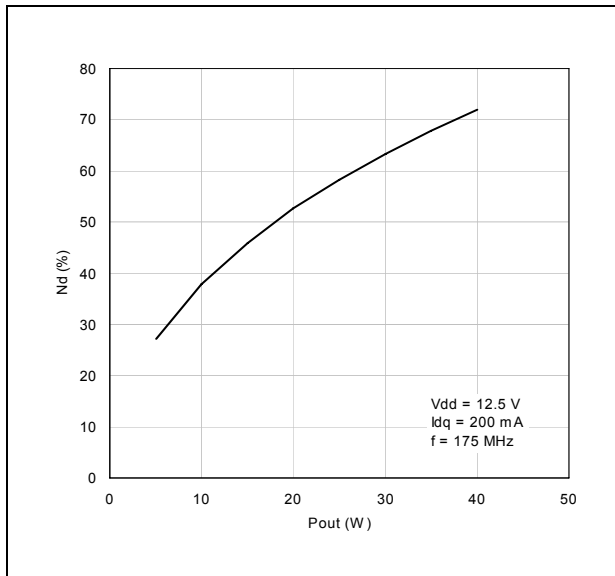


Figure 19. Input return loss vs output power

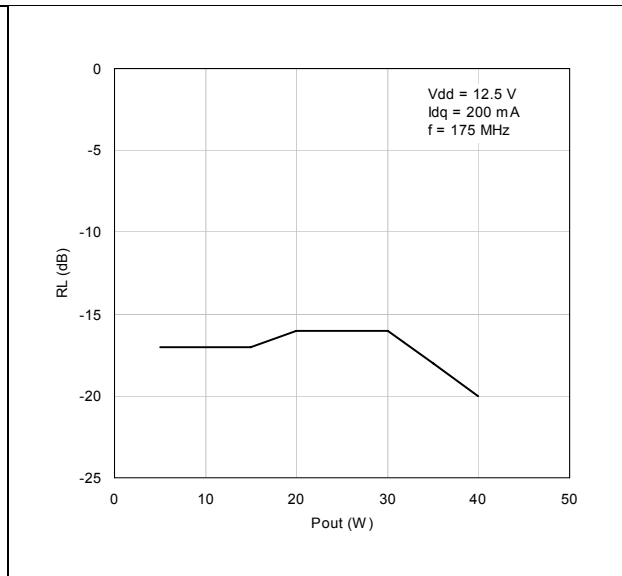


Figure 20. 175 MHz test circuit schematic (engineering)

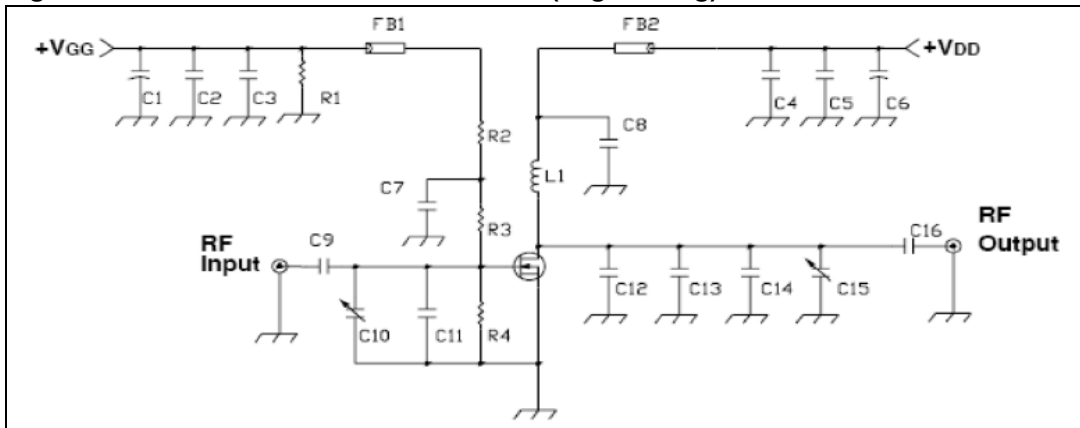


Table 9. 175 MHz test circuit component part list

Component	Description
C1, C6	10 μ F electrolytic capacitor
C2, C5	0.1 μ F chip capacitor
C3, C4	0.01 μ F chip capacitor
C7, C8	1200 pF chip capacitor
C9, C16	1000 pF chip capacitor
C10	ARCO 406 trimmer capacitor
C11	62 pF chip capacitor
C12	15 pF chip capacitor
C13	20 pF chip capacitor
C14	75 pF chip capacitor
C15	Johanson 1-20 pF trimmer capacitor
R1	33 k Ω chip resistor
R2	18 Ω chip resistor
R3	27 Ω chip resistor
R4	47 Ω chip resistor
L1	5 turn, 16 AWG magnetwire, ID = 0.25", inductor
FB1, FB2	Ferrite bead
Board	Roger, ultra lam 2000 THK 0.030", $\epsilon_r = 2.55$ 2oz. ED Cu 2 sides.

7 Common source s-parameter

Table 10. S-parameter for PD55035S-E ($V_{DS} = 12.5\text{ V}$ $I_{DS} = 500\text{ mA}$)

Freq (MHz)	$ S_{11} $	$S_{11} < \Phi$	$ S_{21} $	$S_{21} < \Phi$	$ S_{12} $	$S_{12} < \Phi$	$ S_{22} $	$S_{22} < \Phi$
50	0.823	-162	14.28	86	0.015	-3	0.782	-168
100	0.855	-169	6.87	75	0.015	-11	0.798	-171
150	0.875	-172	4.50	68	0.014	-17	0.813	-172
200	0.891	-173	3.18	60	0.013	-24	0.835	-172
250	0.902	-174	2.42	53	0.012	-29	0.856	-172
300	0.918	-175	1.90	47	0.011	-32	0.876	-173
350	0.924	-176	1.52	42	0.010	-36	0.890	-173
400	0.934	-176	1.25	37	0.008	-37	0.903	-174
450	0.940	-177	1.03	33	0.007	-38	0.918	-175
500	0.949	-177	0.87	29	0.007	-40	0.928	-175
550	0.956	-178	0.74	26	0.005	-40	0.935	-176
600	0.958	-179	0.65	23	0.004	-36	0.946	-177
650	0.963	-180	0.56	20	0.004	-36	0.952	-178
700	0.968	180	0.49	18	0.003	-27	0.955	-178
750	0.971	179	0.44	15	0.003	-21	0.959	-179
800	0.970	179	0.39	13	0.002	-5	0.962	-179
850	0.973	178	0.35	12	0.002	11	0.967	-180
900	0.975	178	0.32	10	0.002	24	0.967	179
950	0.974	177	0.29	8	0.002	27	0.971	179
1000	0.976	177	0.26	7	0.003	47	0.972	178
1050	0.977	176	0.24	5	0.002	61	0.976	178
1100	0.976	176	0.22	4	0.003	69	0.976	177
1150	0.978	176	0.20	2	0.003	72	0.974	177
1200	0.979	175	0.19	1	0.004	78	0.975	176
1250	0.980	175	0.18	-1	0.004	87	0.977	176
1300	0.979	174	0.16	-2	0.005	86	0.976	176
1350	0.977	174	0.15	-3	0.006	88	0.975	175
1400	0.975	174	0.14	-3	0.006	91	0.977	174
1450	0.974	173	0.13	-3	0.006	97	0.975	174
1500	0.972	173	0.12	-4	0.007	117	0.969	174

Table 11. S-parameter PD55035-E ($V_{DS} = 12.5\text{ V}$ $I_{DS} = 1\text{ A}$)

Freq (MHz)	$ S_{11} $	$S_{11} < \Phi$	$ S_{21} $	$S_{21} < \Phi$	$ S_{12} $	$S_{12} < \Phi$	$ S_{22} $	$S_{22} < \Phi$
50	0.845	-165	14.89	87	0.012	0	0.818	-171
100	0.877	-171	7.23	78	0.011	-8	0.829	-174
150	0.894	-174	4.81	72	0.011	-12	0.836	-175
200	0.905	-175	3.46	65	0.010	-17	0.849	-175
250	0.909	-176	2.69	59	0.010	-20	0.863	-175
300	0.920	-176	2.15	54	0.009	-23	0.877	-175
350	0.924	-177	1.75	48	0.008	-27	0.887	-175
400	0.933	-177	1.46	44	0.007	-28	0.898	-176
450	0.937	-178	1.22	39	0.007	-28	0.910	-176
500	0.946	-178	1.05	36	0.006	-28	0.919	-177
550	0.951	-179	0.90	32	0.005	-26	0.925	-177
600	0.953	-180	0.79	29	0.004	-23	0.936	-178
650	0.959	180	0.69	26	0.004	-19	0.942	-178
700	0.963	179	0.61	24	0.003	-13	0.946	-179
750	0.965	179	0.55	21	0.003	-4	0.951	-179
800	0.964	178	0.49	19	0.003	6	0.954	-180
850	0.967	178	0.44	17	0.003	14	0.960	180
900	0.970	177	0.40	15	0.003	31	0.960	179
950	0.971	177	0.37	13	0.003	39	0.965	179
1000	0.972	176	0.34	11	0.003	55	0.964	178
1050	0.972	176	0.31	9	0.003	53	0.970	178
1100	0.973	176	0.29	8	0.003	64	0.969	177
1150	0.975	175	0.26	6	0.004	70	0.966	179
1200	0.976	175	0.25	4	0.004	75	0.971	176
1250	0.975	174	0.22	3	0.005	85	0.972	176
1300	0.975	174	0.21	2	0.005	81	0.970	175
1350	0.974	174	0.19	1	0.005	85	0.970	175
1400	0.973	174	0.18	0	0.006	89	0.971	174
1450	0.972	173	0.17	-1	0.006	95	0.971	174
1500	0.970	173	0.16	-1	0.008	110	0.965	174

Table 12. S-parameter for PD55035-E ($V_{DS} = 12.5\text{ V}$ $I_{DS} = 2\text{ A}$)

Freq (MHz)	$ S_{11} $	$S_{11} < \Phi$	$ S_{21} $	$S_{21} < \Phi$	$ S_{12} $	$S_{12} < \Phi$	$ S_{22} $	$S_{22} < \Phi$
50	0.863	-165	15.03	88	0.010	0	0.841	-173
100	0.892	-171	7.33	80	0.009	-5	0.848	-176
150	0.909	-174	4.91	74	0.009	-9	0.853	-176
200	0.916	-176	3.56	68	0.009	-11	0.860	-176
250	0.920	-177	2.81	63	0.008	-12	0.872	-177
300	0.927	-177	2.26	58	0.008	-15	0.880	-177
350	0.929	-178	1.86	52	0.007	-18	0.889	-177
400	0.935	-178	1.57	48	0.006	-20	0.896	-177
450	0.938	-179	1.33	44	0.006	-20	0.906	-178
500	0.944	-179	1.14	40	0.005	-16	0.914	-177
550	0.950	-180	0.99	37	0.005	-15	0.918	-178
600	0.952	180	0.87	33	0.004	-14	0.929	-179
650	0.956	179	0.77	30	0.004	-9	0.935	-179
700	0.960	179	0.69	28	0.003	4	0.940	-179
750	0.964	179	0.61	25	0.003	11	0.946	180
800	0.964	178	0.55	23	0.003	20	0.949	180
850	0.965	177	0.50	21	0.003	32	0.955	179
900	0.968	177	0.46	18	0.003	38	0.954	179
950	0.969	177	0.42	17	0.003	46	0.959	178
1000	0.971	176	0.39	14	0.003	47	0.959	177
1050	0.971	176	0.36	12	0.004	57	0.967	177
1100	0.970	176	0.33	11	0.004	60	0.964	177
1150	0.973	175	0.30	9	0.004	69	0.964	176
1200	0.975	175	0.28	7	0.004	72	0.966	176
1250	0.973	174	0.26	5	0.005	78	0.971	175
1300	0.971	174	0.24	4	0.006	80	0.968	175
1350	0.973	174	0.23	3	0.006	83	0.970	174
1400	0.971	173	0.21	2	0.006	83	0.971	174
1450	0.969	173	0.20	1	0.006	91	0.970	174
1500	0.968	173	0.18	1	0.008	112	0.969	173

Table 13. S-parameter for PD55035S-E ($V_{DS} = 13.8\text{ V}$ $I_{DS} = 3\text{ A}$)

Freq (MHz)	$ S_{11} $	$S_{11} < \Phi$	$ S_{21} $	$S_{21} < \Phi$	$ S_{12} $	$S_{12} < \Phi$	$ S_{22} $	$S_{22} < \Phi$
50	0.867	-165	14.95	88	0.009	2	0.848	-174
100	0.896	-171	7.31	80	0.009	-4	0.856	-177
150	0.913	-175	4.92	75	0.008	-7	0.861	-177
200	0.921	-176	3.57	69	0.008	-9	0.866	-177
250	0.921	-177	2.82	64	0.008	-13	0.874	-177
300	0.929	-178	2.28	59	0.007	-12	0.882	-177
350	0.930	-178	1.90	54	0.007	-14	0.888	-178
400	0.936	-178	1.59	50	0.006	-16	0.896	-177
450	0.938	-179	1.36	45	0.005	-14	0.904	-178
500	0.947	-179	1.17	42	0.005	-11	0.915	-178
550	0.950	180	1.02	38	0.004	-10	0.917	-178
600	0.951	180	0.90	35	0.004	-6	0.927	-179
650	0.956	179	0.79	32	0.004	-3	0.934	-179
700	0.960	179	0.71	29	0.003	4	0.935	-179
750	0.963	178	0.64	26	0.003	17	0.943	180
800	0.962	178	0.58	24	0.003	21	0.948	179
850	0.964	177	0.52	22	0.004	32	0.951	179
900	0.967	177	0.48	20	0.003	41	0.949	178
950	0.969	177	0.44	18	0.003	36	0.958	178
1000	0.969	176	0.40	15	0.004	53	0.956	178
1050	0.969	176	0.37	14	0.004	58	0.963	177
1100	0.969	175	0.34	12	0.004	64	0.963	177
1150	0.971	175	0.32	10	0.004	69	0.961	176
1200	0.973	175	0.30	8	0.004	71	0.965	176
1250	0.971	174	0.27	6	0.005	77	0.967	175
1300	0.971	174	0.26	5	0.006	78	0.970	174
1350	0.973	174	0.24	4	0.006	80	0.965	175
1400	0.970	173	0.22	2	0.007	87	0.973	174
1450	0.968	173	0.21	3	0.006	91	0.967	174
1500	0.968	173	0.19	1	0.008	111	0.965	173

8 Package mechanical data

In order to meet environmental requirements, ST offers these devices in different grades of ECOPACK[®] packages, depending on their level of environmental compliance. ECOPACK[®] specifications, grade definitions and product status are available at: www.st.com. ECOPACK[®] is an ST trademark.

Table 14. PowerSO-10RF formed lead (Gull Wing) mechanical data

Dim.	mm.			Inch		
	Min.	Typ.	Max.	Min.	Typ.	Max.
A1	0	0.05	0.1	0.	0.0019	0.0038
A2	3.4	3.5	3.6	0.134	0.137	0.142
A3	1.2	1.3	1.4	0.046	0.05	0.054
A4	0.15	0.2	0.25	0.005	0.007	0.009
a		0.2			0.007	
b	5.4	5.53	5.65	0.212	0.217	0.221
c	0.23	0.27	0.32	0.008	0.01	0.012
D	9.4	9.5	9.6	0.370	0.374	0.377
D1	7.4	7.5	7.6	0.290	0.295	0.298
E	13.85	14.1	14.35	0.544	0.555	0.565
E1	9.3	9.4	9.5	0.365	0.37	0.375
E2	7.3	7.4	7.5	0.286	0.292	0.294
E3	5.9	6.1	6.3	0.231	0.24	0.247
F		0.5			0.019	
G		1.2			0.047	
L	0.8	1	1.1	0.030	0.039	0.042
R1			0.25			0.01
R2		0.8			0.031	
T	2 deg	5 deg	8 deg	2 deg	5 deg	8 deg
T1		6 deg			6 deg	
T2		10 deg			10 deg	

Note: Resin protrusions not included (max value: 0.15 mm per side)

Figure 21. Package dimensions

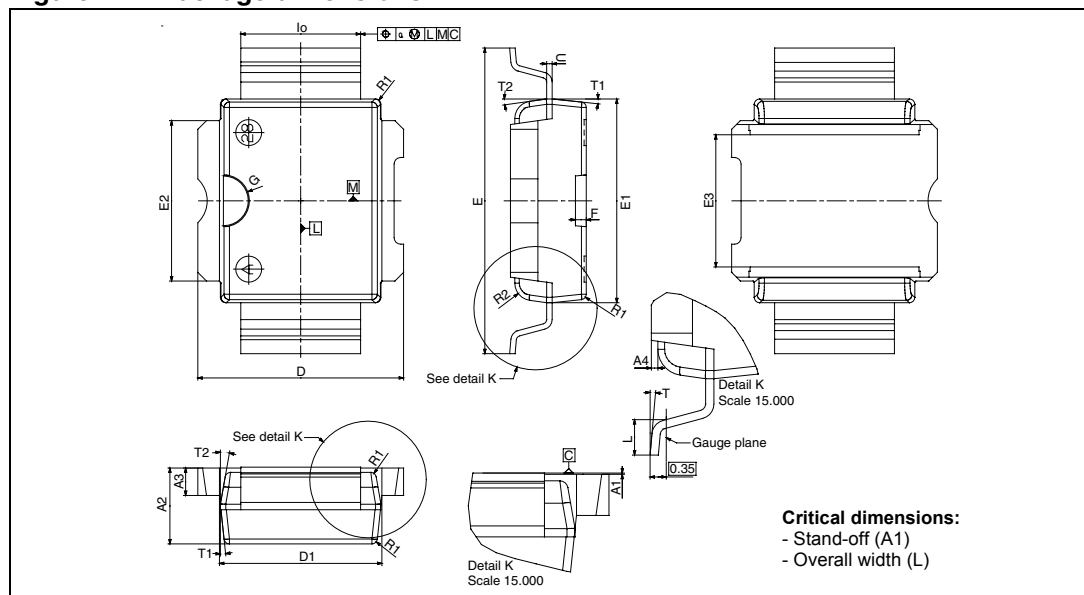


Table 15. PowerSO-10RF straight lead mechanical data

Dim.	mm.			Inch		
	Min.	Typ.	Max.	Min.	Typ.	Max.
A1	1.62	1.67	1.72	0.064	0.065	0.068
A2	3.4	3.5	3.6	0.134	0.137	0.142
A3	1.2	1.3	1.4	0.046	0.05	0.054
A4	0.15	0.2	0.25	0.005	0.007	0.009
a		0.2			0.007	
b	5.4	5.53	5.65	0.212	0.217	0.221
c	0.23	0.27	0.32	0.008	0.01	0.012
D	9.4	9.5	9.6	0.370	0.374	0.377
D1	7.4	7.5	7.6	0.290	0.295	0.298
E	15.15	15.4	15.65	0.595	0.606	0.615
E1	9.3	9.4	9.5	0.365	0.37	0.375
E2	7.3	7.4	7.5	0.286	0.292	0.294
E3	5.9	6.1	6.3	0.231	0.24	0.247
F		0.5			0.019	
G		1.2			0.047	
R1			0.25			0.01
R2		0.8			0.031	
T1		6 deg			6 deg	
T2		10 deg			10 deg	

Note: Resin protrusions not included (max value: 0.15 mm per side)

Figure 22. Package dimensions

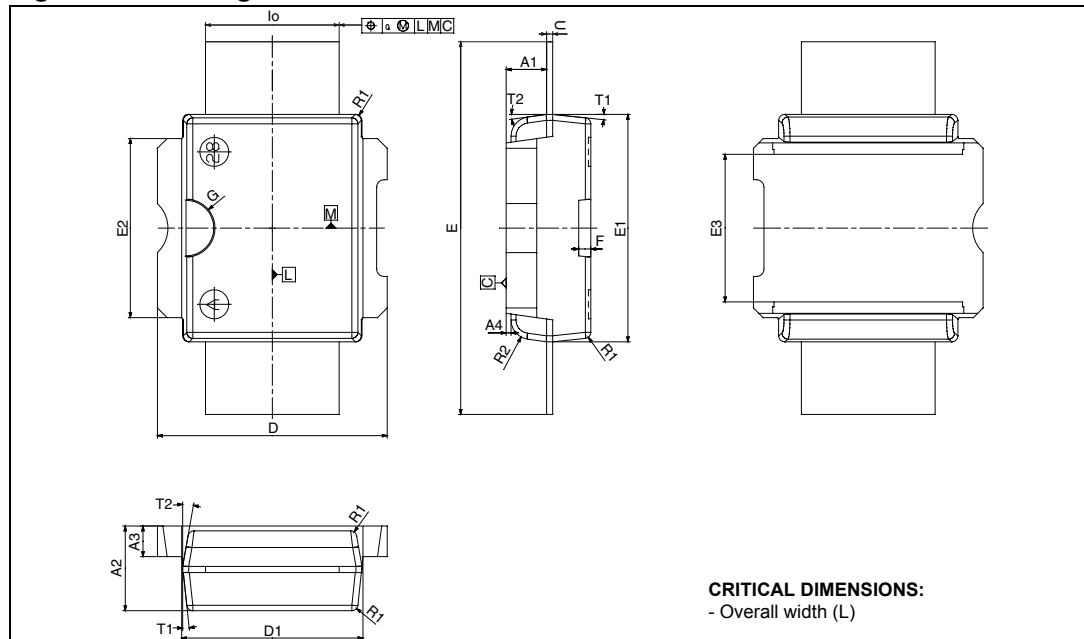


Figure 23. Tube information

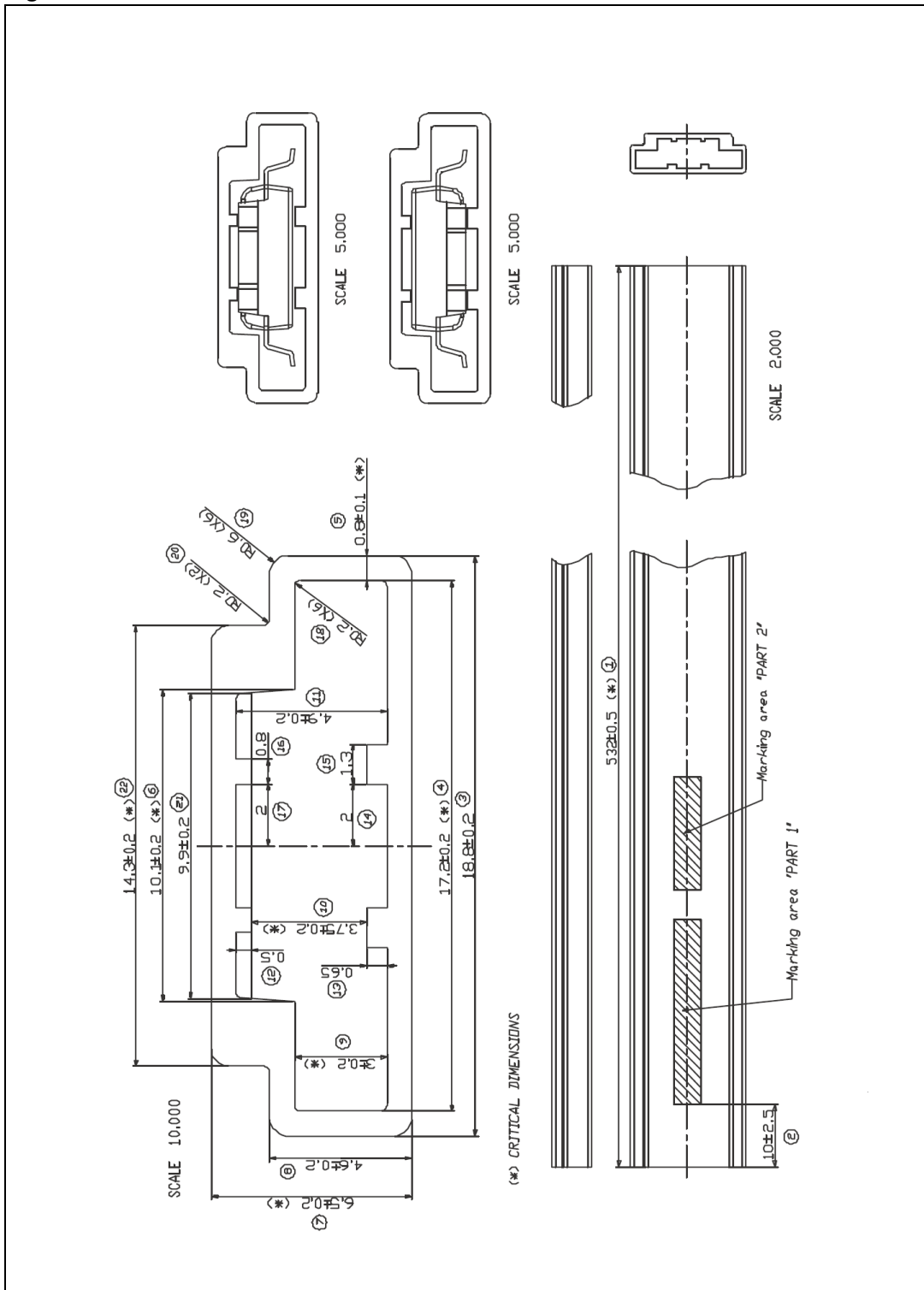
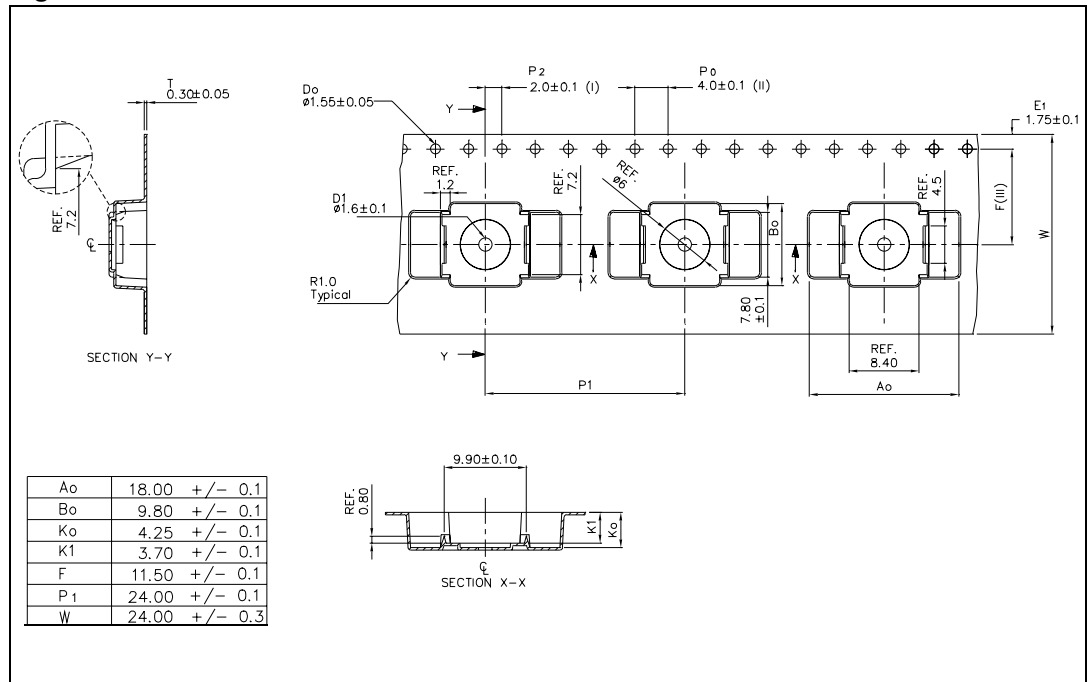


Figure 24. Reel information



9 Revision history

Table 16. Document revision history

Date	Revision	Changes
11-May-2006	1	Initial release.
26-May-2010	2	Added: Table 6: Moisture sensitivity level .

Please Read Carefully:

Information in this document is provided solely in connection with ST products. STMicroelectronics NV and its subsidiaries ("ST") reserve the right to make changes, corrections, modifications or improvements, to this document, and the products and services described herein at any time, without notice.

All ST products are sold pursuant to ST's terms and conditions of sale.

Purchasers are solely responsible for the choice, selection and use of the ST products and services described herein, and ST assumes no liability whatsoever relating to the choice, selection or use of the ST products and services described herein.

No license, express or implied, by estoppel or otherwise, to any intellectual property rights is granted under this document. If any part of this document refers to any third party products or services it shall not be deemed a license grant by ST for the use of such third party products or services, or any intellectual property contained therein or considered as a warranty covering the use in any manner whatsoever of such third party products or services or any intellectual property contained therein.

UNLESS OTHERWISE SET FORTH IN ST'S TERMS AND CONDITIONS OF SALE ST DISCLAIMS ANY EXPRESS OR IMPLIED WARRANTY WITH RESPECT TO THE USE AND/OR SALE OF ST PRODUCTS INCLUDING WITHOUT LIMITATION IMPLIED WARRANTIES OF MERCHANTABILITY, FITNESS FOR A PARTICULAR PURPOSE (AND THEIR EQUIVALENTS UNDER THE LAWS OF ANY JURISDICTION), OR INFRINGEMENT OF ANY PATENT, COPYRIGHT OR OTHER INTELLECTUAL PROPERTY RIGHT.

UNLESS EXPRESSLY APPROVED IN WRITING BY AN AUTHORIZED ST REPRESENTATIVE, ST PRODUCTS ARE NOT RECOMMENDED, AUTHORIZED OR WARRANTED FOR USE IN MILITARY, AIR CRAFT, SPACE, LIFE SAVING, OR LIFE SUSTAINING APPLICATIONS, NOR IN PRODUCTS OR SYSTEMS WHERE FAILURE OR MALFUNCTION MAY RESULT IN PERSONAL INJURY, DEATH, OR SEVERE PROPERTY OR ENVIRONMENTAL DAMAGE. ST PRODUCTS WHICH ARE NOT SPECIFIED AS "AUTOMOTIVE GRADE" MAY ONLY BE USED IN AUTOMOTIVE APPLICATIONS AT USER'S OWN RISK.

Resale of ST products with provisions different from the statements and/or technical features set forth in this document shall immediately void any warranty granted by ST for the ST product or service described herein and shall not create or extend in any manner whatsoever, any liability of ST.

ST and the ST logo are trademarks or registered trademarks of ST in various countries.

Information in this document supersedes and replaces all information previously supplied.

The ST logo is a registered trademark of STMicroelectronics. All other names are the property of their respective owners.

© 2010 STMicroelectronics - All rights reserved

STMicroelectronics group of companies

Australia - Belgium - Brazil - Canada - China - Czech Republic - Finland - France - Germany - Hong Kong - India - Israel - Italy - Japan - Malaysia - Malta - Morocco - Philippines - Singapore - Spain - Sweden - Switzerland - United Kingdom - United States of America

www.st.com