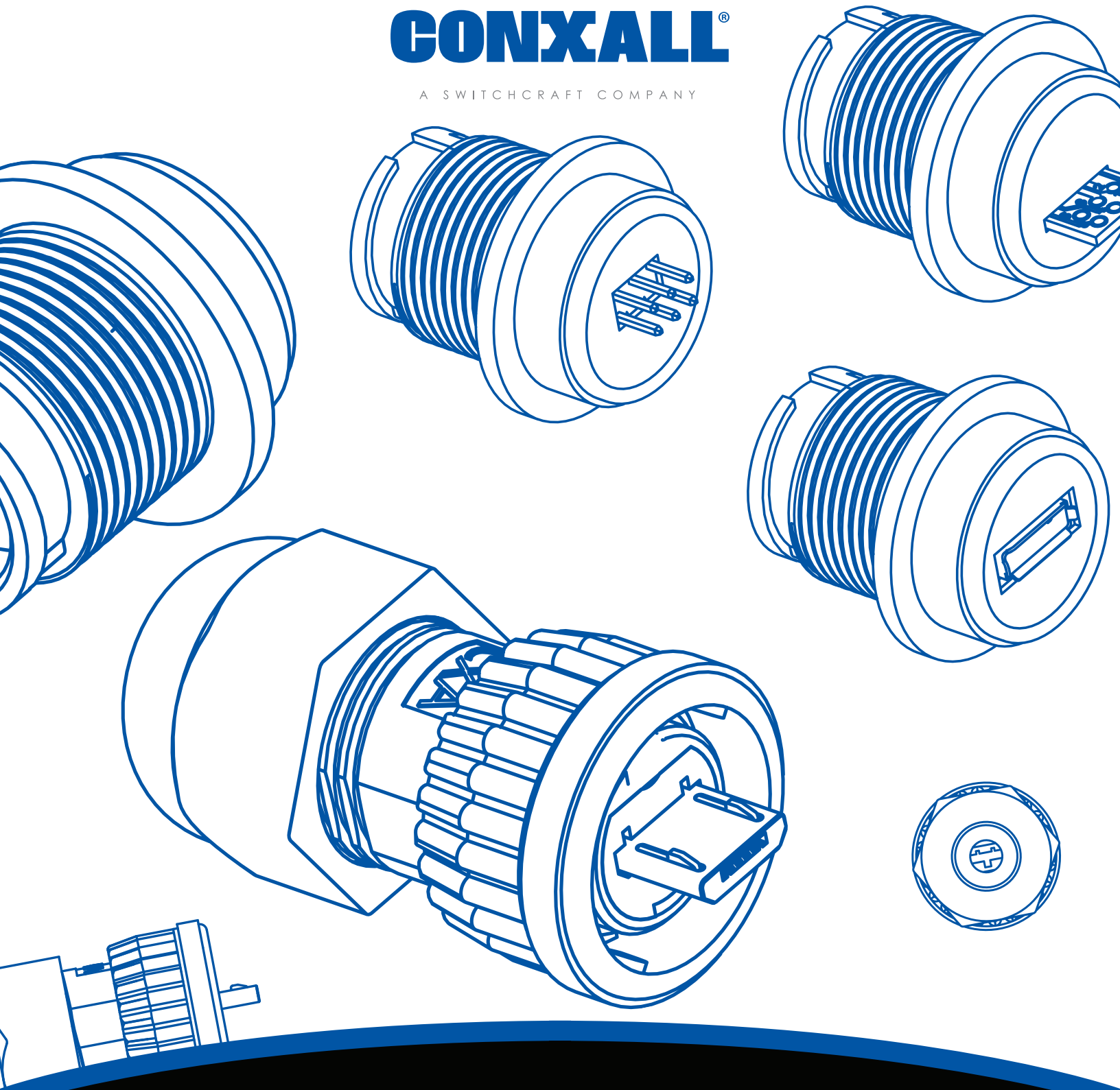


CONXALL®

A SWITCHCRAFT COMPANY



DATA-CON-X® SEALED MICRO-USB CONNECTORS

NPB | C716

DATA-CON-X® SEALED MICRO-USB CONNECTORS

NPB | C716



FEATURES & BENEFITS

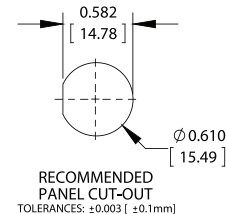
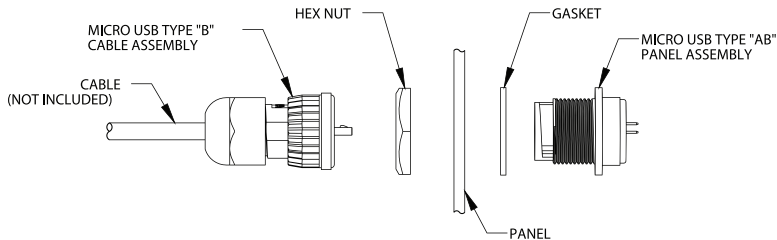
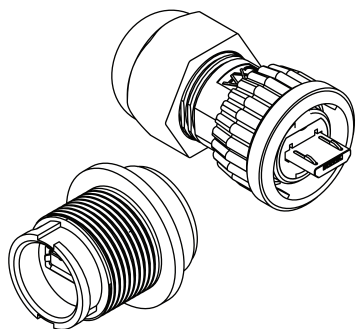
- Sealed to IP67 & IP68 NEMA 250 (6P)
- Feed through, PC Tail or Solder terminals for easy field installation
- Field installable design is easy to assemble
- Quick connect bayonet style interface
- RoHS compliant assembly

APPLICATIONS

- Any sealed data transmission
- Military or industrial GPS location devices
- Instrumentation
- Medical data carts
- Data acquisition units
- General industrial electronic applications

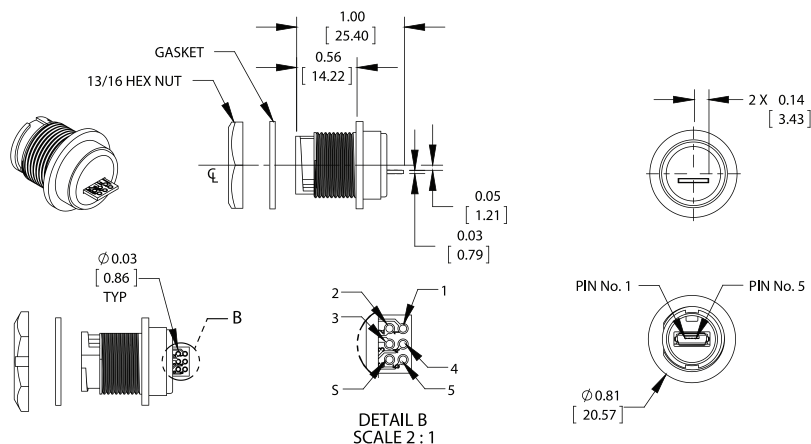
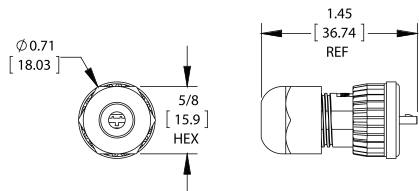
DATA-CON-X[®] SEALED MICRO-USB CONNECTORS

NPB | C716



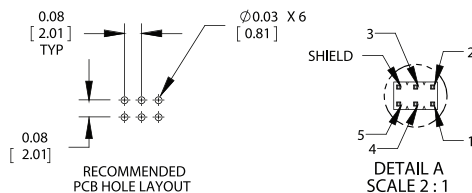
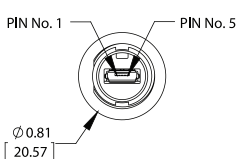
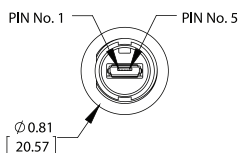
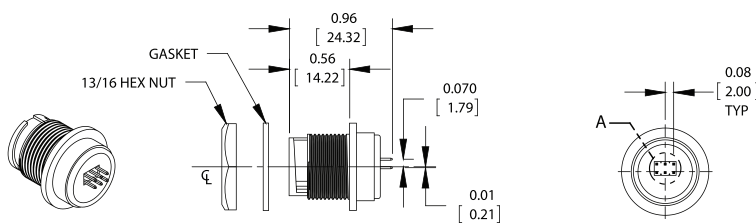
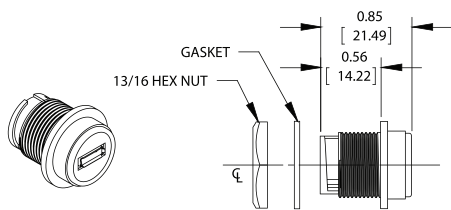
DCC-USBCB-120
Micro-USB Field Installable Cable Plug

DCP-USBCB-SC
Micro-USB Panel Mount - Solder Holes



DCP-USBCB-F
Micro-USB Panel Mount - Feed-Thru

DCP-USBCB-HD
Micro-USB Panel Mount - PC Tails



UNITS ARE LISTED IN INCHES [MM]. ALL DIMENSIONS ARE REFERENCE ONLY.

PLEASE VISIT WWW.CONXALL.COM FOR THE MOST UP-TO-DATE PRODUCT SPECIFICATIONS.

DATA-CON-X[®] SEALED MICRO-USB CONNECTORS

NPB | C716

SPECIFICATIONS

Mechanical Specifications

| | |
|-------------------------|-------------------------------|
| Life: | 300 Cycles Minimum |
| Vibration: | Mil-Std 202G Method 201A |
| Hex Nut Torque: | 10-12 in-lb |
| Coupling Locking Style: | Quick Connect (Bayonet) |
| Backshell Style: | Threaded Nut-Squeezed Grommet |

Electrical Specifications

Tested Per USB 2.0 Specifications

Environmental Specifications

| | |
|-------------------------------|---|
| Operating Temperature Rating: | -25 °C to +85 °C (-13°F to +185°F) |
| Moisture Resistance: | Mil-Std 202G Method 106G |
| Insulation Resistance: | Mil-Std 202G Method 302 |
| Thermal Shock: | Mil-Std 202G Method 107G |
| Weathertight: | IP67 & IP68, NEMA 250 (6P) (when mated) |

Material Specifications

| | |
|------------------------------|---------------|
| Plug Nut, Coupling Nut: | Thermoplastic |
| Plug Housing, Insert: | Thermoplastic |
| Sealing Ring, O-Ring: | Elastomer |
| Panel Housing, Hex Nut: | Thermoplastic |
| Gasket: | Elastomer |
| Printed Circuit Board (PCB): | FR-4 |

Header:

| | |
|------------|------------------------------|
| Insulator: | Thermoplastic UL94V-0, Black |
| Contacts: | Copper Alloy, Gold Flash |

Micro USB Type B Plug:

| | |
|---------------|--|
| Insulator: | Thermoplastic UL94V-0, Black |
| Contacts: | Copper Alloy, Gold Plated (Contact Area) |
| Metal Shield: | Steel, Nickel Plated |

Micro USB Type AB Receptacle:

| | |
|---------------|---|
| Insulator: | Thermoplastic UL94V-0, Black |
| Contacts: | Copper Alloy, Gold Flash (Contact Area) |
| Metal Shield: | Copper Alloy, Tin Plated |

Molded Cable Assemblies

Consult factory for molded options

Other

| | |
|-------------------------------|----------------------------------|
| Recommended Cable O.D. Range: | 0.137-0.157 inches [3.5mm-4.0mm] |
| Recommended Panel Thickness: | 0.031-0.187 inches [0.8mm-4.8mm] |

PLEASE VISIT WWW.CONXALL.COM FOR THE MOST UP-TO-DATE PRODUCT SPECIFICATIONS.