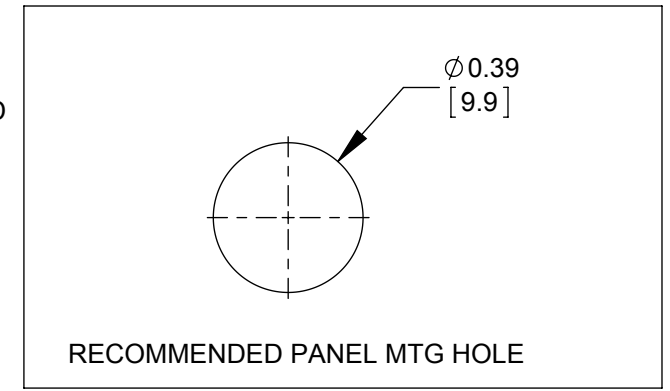
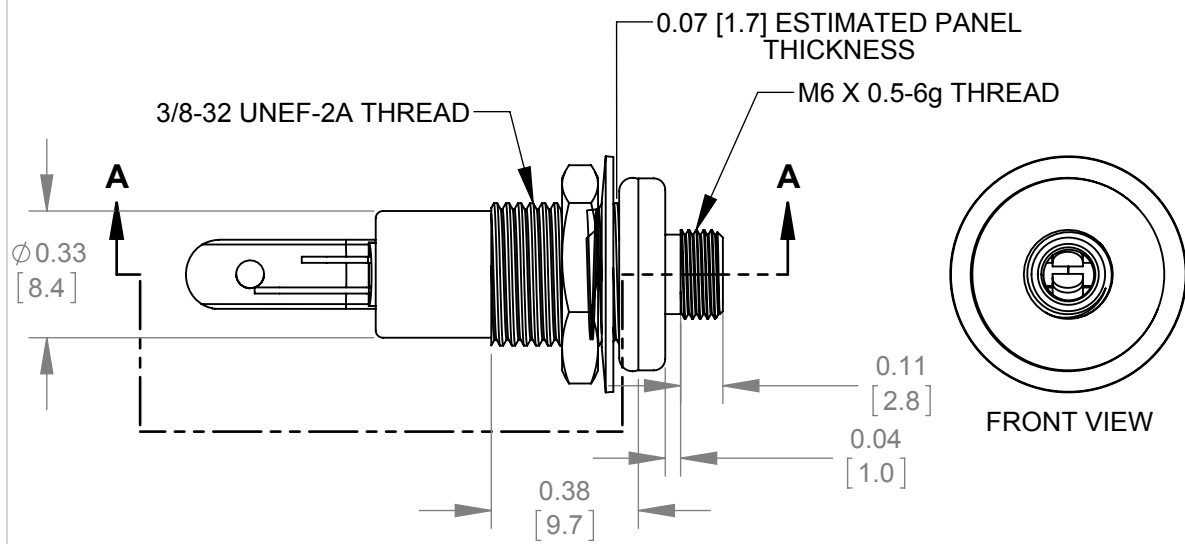


35FM3

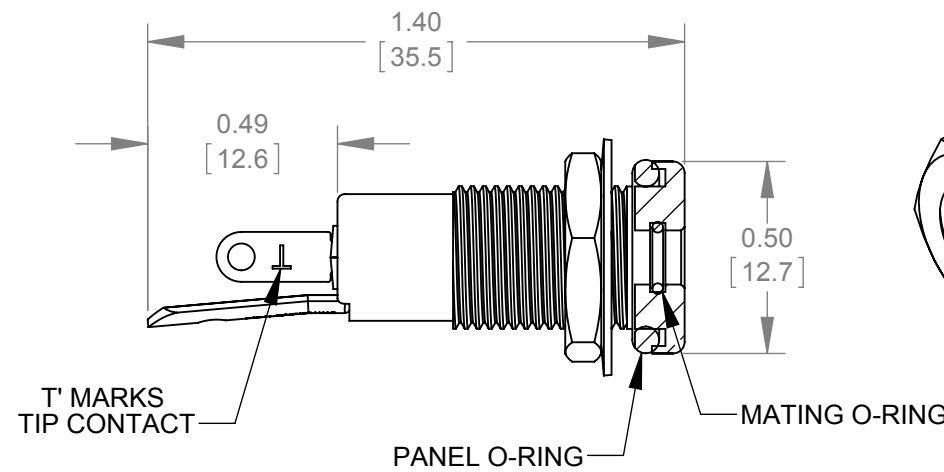
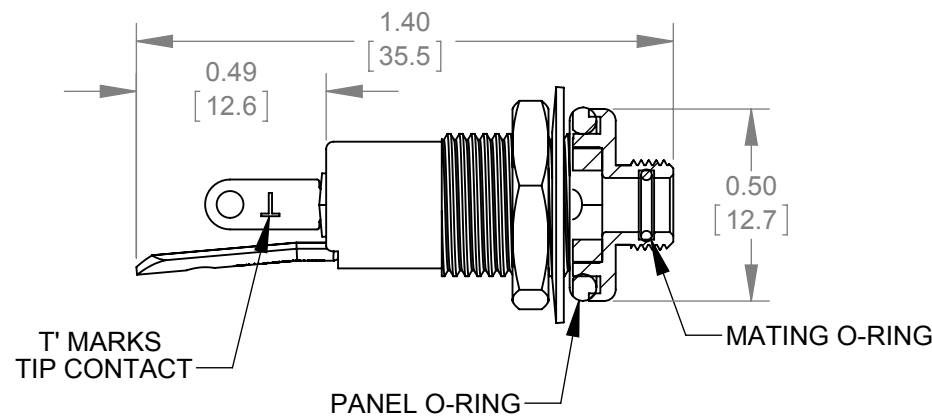
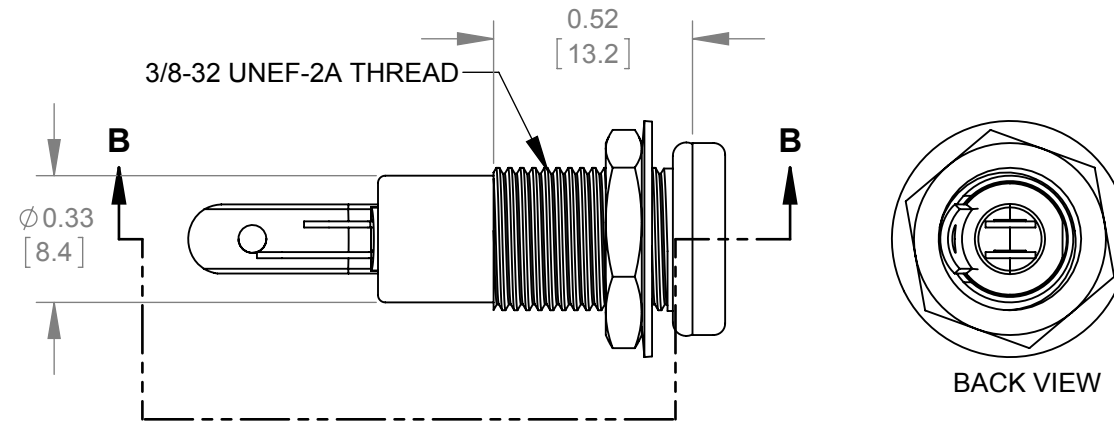
- S - SEALED
BLANK - NON SEALED
- L - LOCKING
BLANK - NON LOCKING
- AU - GOLD
BLANK - SILVER



LOCKING & SEALED ASSEMBLY SHOWN



NON LOCKING & SEALED ASSEMBLY SHOWN



NOTES:

1. USE SWITCHCRAFT'S 3.5MM LOCKING STEREO PLUG FOR MATING.
2. DIMENSIONS SHOWN FOR REFERENCE ONLY.
3. HEX NUT, WASHER AND O-RINGS ARE PROVIDED ASSEMBLED TO THE HOUSING ASSEMBLY. NO O-RINGS SUPPLIED WITH NON SEALED VERSIONS.
4. MATERIAL:
HOUSINGS, HEX NUT - COPPER ALLOY, NICKEL PLATED
FLAT WASHERS - STEEL, NICKEL PLATED
CONTACTS - BERYLLIUM COPPER, SILVER PLATED
O-RINGS - NITRILE RUBBER, 70 DUROMETER
5. THIS PRODUCT IS RoHS COMPLIANT.

**PRELIMINARY
CUSTOMER DRAWING**

UNLESS OTHERWISE SPECIFIED 1. ALL DIMENSIONS IN INCHES [mm] - TWO PLACE DECIMALS ±0.02 [0.5] - THREE PLACE DECIMALS ±0.005 [0.13]					THIS DRAWING DESCRIBES A DESIGN CONSIDERED PROPRIETARY IN NATURE, DEVELOPED AND MANUFACTURED BY SWITCHCRAFT INC. AND IS RELEASED ON A CONFIDENTIAL BASIS FOR IDENTIFICATION PURPOSES ONLY.					
					SIZE *	WIDTH *	MULT *	LBS/M *	TEMPER *	
DO NOT SCALE DRAWING					FINISH *		MATERIAL *			
					SPEC No. *		SPEC No. *			
REVISIONS					FIRST USED ON *		SCALE 2:1			
					DATE DRAWN	BY	CHKD	APVD		
0A	FIRST DRAWN	02/09/17	AM	*	02/09/17	AM	*	*	*	
REV					ECO NUMBER		DATE		BY APVD	
					NAME		PART No.		REV	
					3.5MM JACK ASSM		35FM3 SERIES		0A	
					FRONT PANEL MOUNT, RoHS					