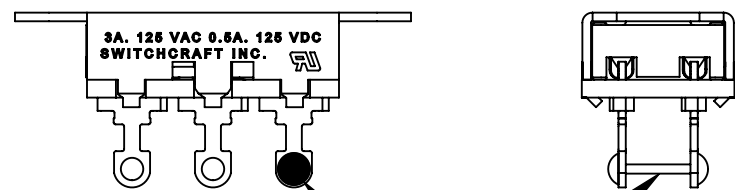


SCHEMATIC
DOUBLE POLE DOUBLE THROW

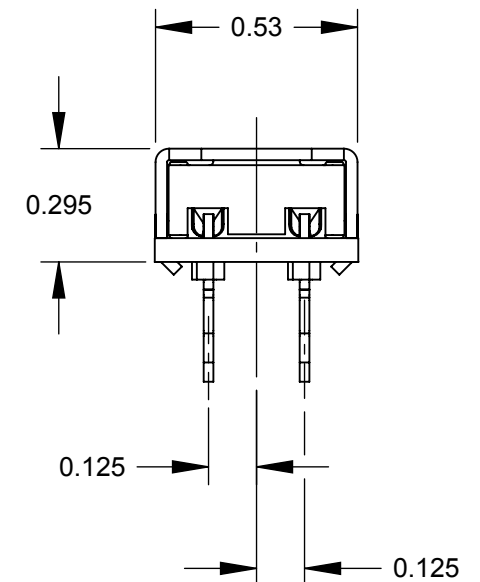
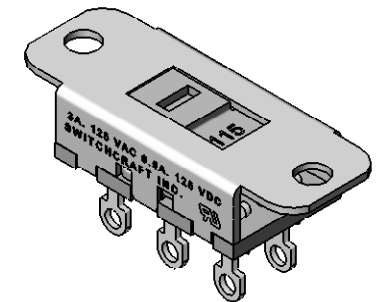
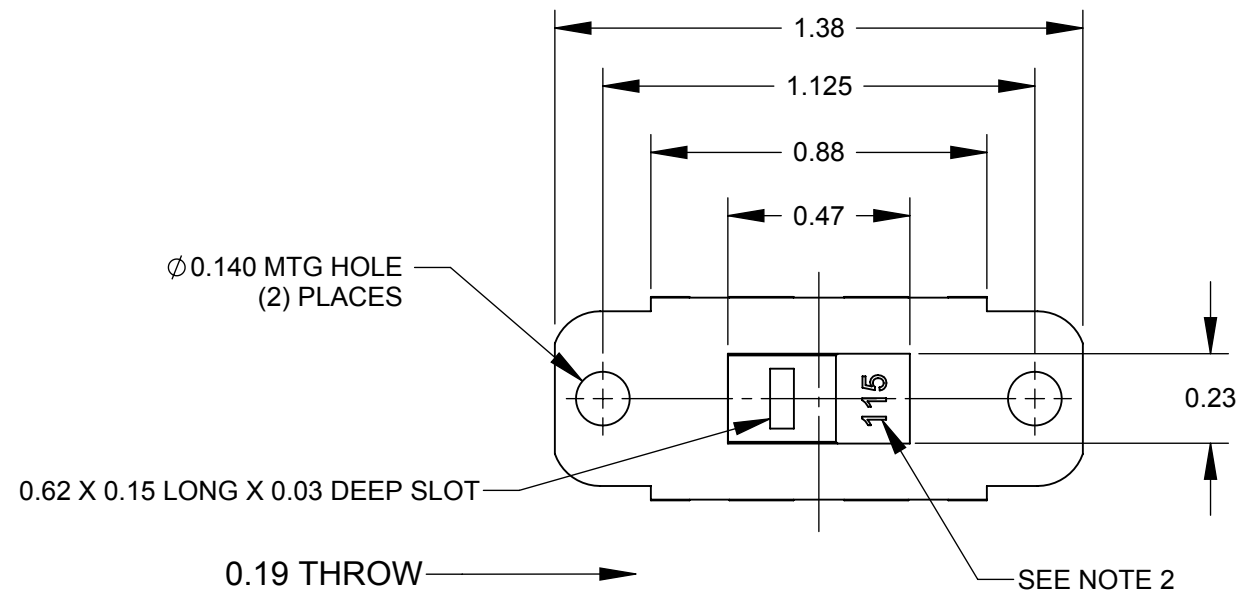
46206LFRX



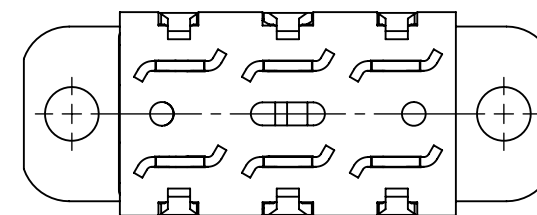
JUMPER

SCHEMATIC
DOUBLE POLE DOUBLE THROW
WITH JUMPER

46256LFRX



**46206LFRX
SHOWN**



CUSTOMER DRAWING

NOTES:

1. ALL DIMENSIONS REFERENCE UNLESS OTHERWISE SPECIFIED.
2. NUMBERS HOT STAMPED IN WHITE. 230 VISIBLE IN OTHER DIRECTION
3. MATERIALS:
HOUSING - STEEL, ZINC PLATED
BUTTON - THERMOPLASTIC, BLACK
TERMINALS & CONTACT SLIDER - BRASS, SILVER PLATED
TERMINAL BOARD - PHENOLIC
4. SWITCH RATING:
3 AMP, 125 V.A.C., 0.5 AMP, 125 V.D.C.
5. THIS PRODUCT IS RoHS COMPLIANT.

					THIS DRAWING DESCRIBES A DESIGN CONSIDERED PROPRIETARY IN NATURE, DEVELOPED AND MANUFACTURED BY SWITCHCRAFT INC. AND IS RELEASED ON A CONFIDENTIAL BASIS FOR IDENTIFICATION PURPOSES ONLY.							
					UNLESS OTHERWISE SPECIFIED		SIZE	WIDTH	MULT	LBS/M	TEMPER	
					1. ALL DIMENSIONS IN INCHES		FINISH		MATERIAL			
					- TWO PLACE DECIMALS ±0.02		SPEC No.		SPEC No.			
					- THREE PLACE DECIMALS ±0.005		FIRST USED ON		SCALE			
							SCALE 2:1		Switchcraft®			
							DATE DRAWN	BY	CHKD	APVD	SHEET 1 OF 1	
							2/19/09	RS	RS	TJK		
							2/19/09		5/18/09			
							NAME 115 - 230 POWER SELECTION SLIDE SWITCH, RoHS				PART No.	REV
											46200LFRX SERIES	A
REVISIONS					DO NOT SCALE DRAWING							

SolidWorks CAD File **B**