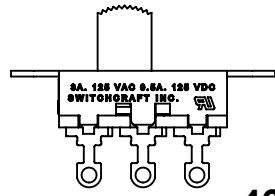


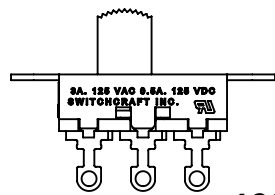
46202LRX

SCHEMATIC
SINGLE POLE SINGLE THROW



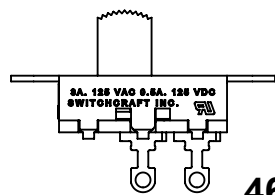
46203LRX

SCHEMATIC
SINGLE POLE DOUBLE THROW



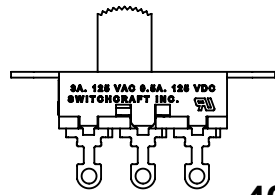
46203LSRX

SCHEMATIC
SINGLE POLE DOUBLE THROW
SHORTING CONTACT



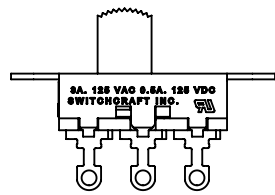
46204LRX

SCHEMATIC
DOUBLE POLE SINGLE THROW



46206LRX

SCHEMATIC
DOUBLE POLE DOUBLE THROW



46206LSRX

SCHEMATIC
DOUBLE POLE DOUBLE THROW
SHORTING CONTACTS

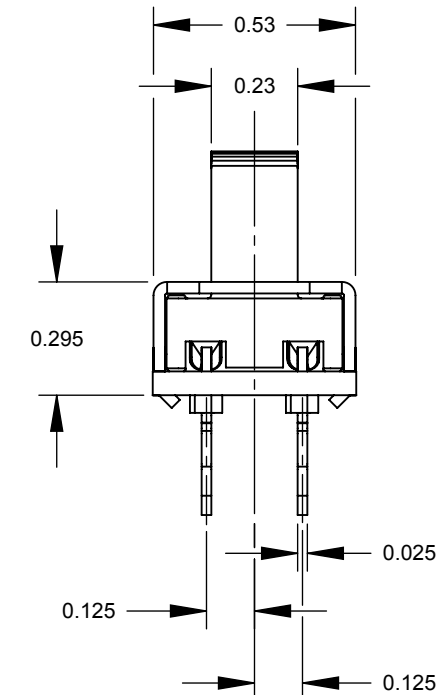
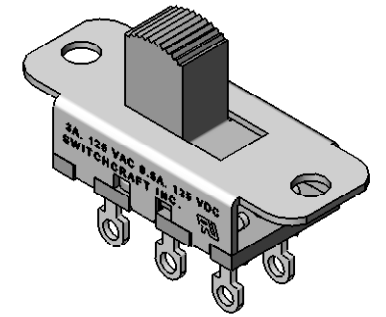
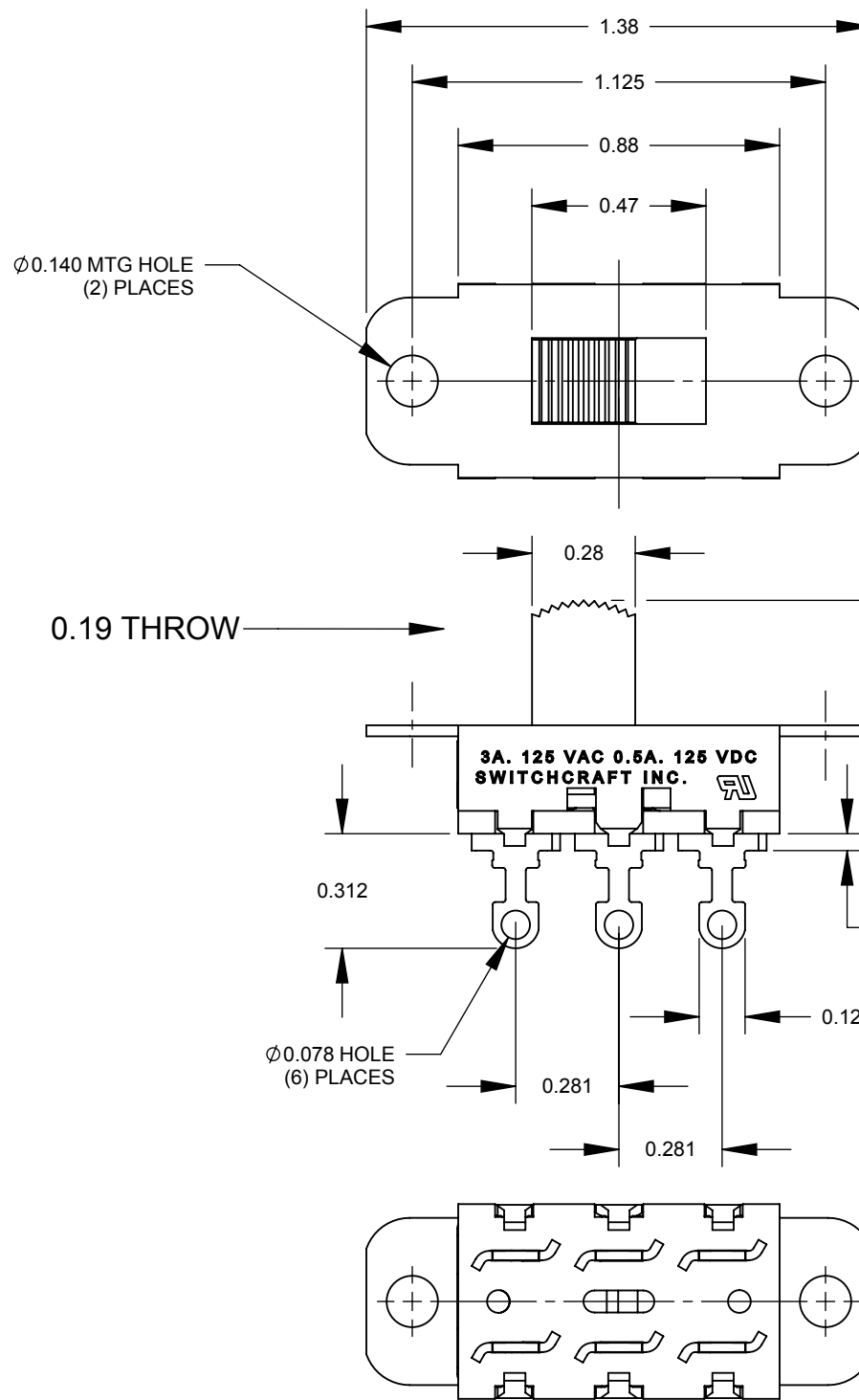
NOTES:

- ALL DIMENSIONS REFERENCE UNLESS OTHERWISE SPECIFIED.
- MATERIALS:**
HOUSING - STEEL, ZINC PLATED
BUTTON - THERMOPLASTIC, BLACK
TERMINALS & CONTACT SLIDER - BRASS, SILVER PLATED
TERMINAL BOARD - PHENOLIC
- SWITCH RATING:**
3 AMP, 125 V.A.C., 0.5 AMP, 125 V.D.C.
- THIS PRODUCT IS RoHS COMPLIANT.

Ø0.140 MTG HOLE
(2) PLACES

0.19 THROW

Ø0.078 HOLE
(6) PLACES



46206LRX SHOWN

CUSTOMER DRAWING

REV	ECO NUMBER	DATE	BY	APVD
A	26008	8/5/06	RS	TJK
REVISIONS				

UNLESS OTHERWISE SPECIFIED				
1. ALL DIMENSIONS IN INCHES				
- TWO PLACE DECIMALS ±0.02				
- THREE PLACE DECIMALS ±0.005				
DO NOT SCALE DRAWING				

THIS DRAWING DESCRIBES A DESIGN CONSIDERED PROPRIETARY IN NATURE, DEVELOPED AND MANUFACTURED BY SWITCHCRAFT INC. AND IS RELEASED ON A CONFIDENTIAL BASIS FOR IDENTIFICATION PURPOSES ONLY.									
SIZE		WIDTH		MULT		LBS/M		TEMPER	
FINISH SPEC No.						MATERIAL SPEC No.			
FIRST USED ON				SCALE 2:1		Switchcraft [®]			
DATE DRAWN	BY	CHKD	APVD						
2/19/09	RS	RS	TJK			SHEET 1 OF 1			
NAME 46200LR SERIES SLIDE SWITCH, RoHS						PART No. 46200LRX SERIES		REV A	