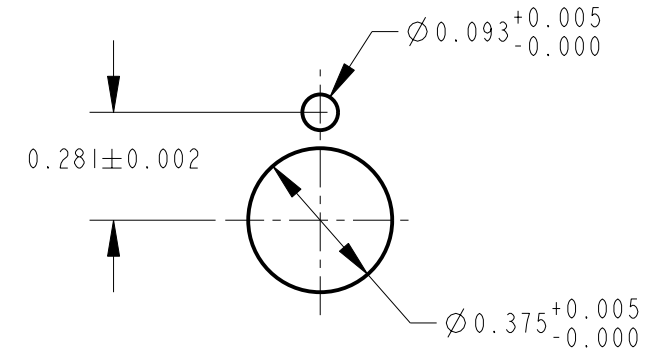
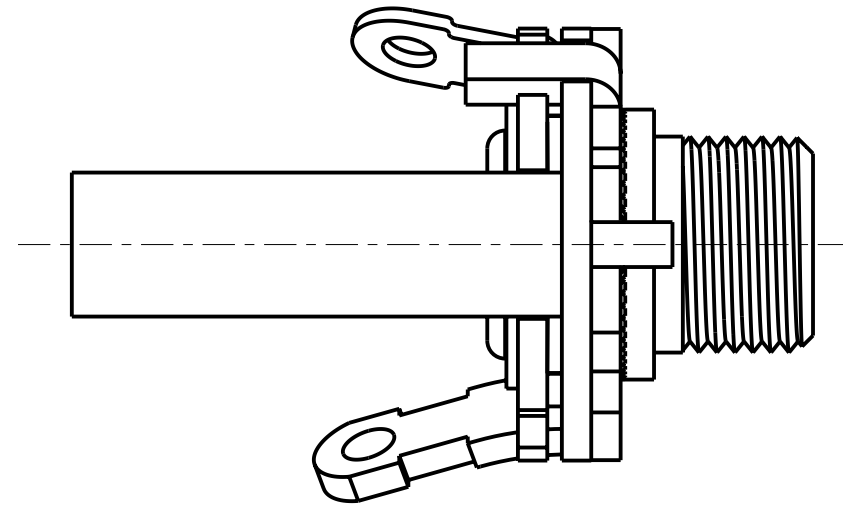
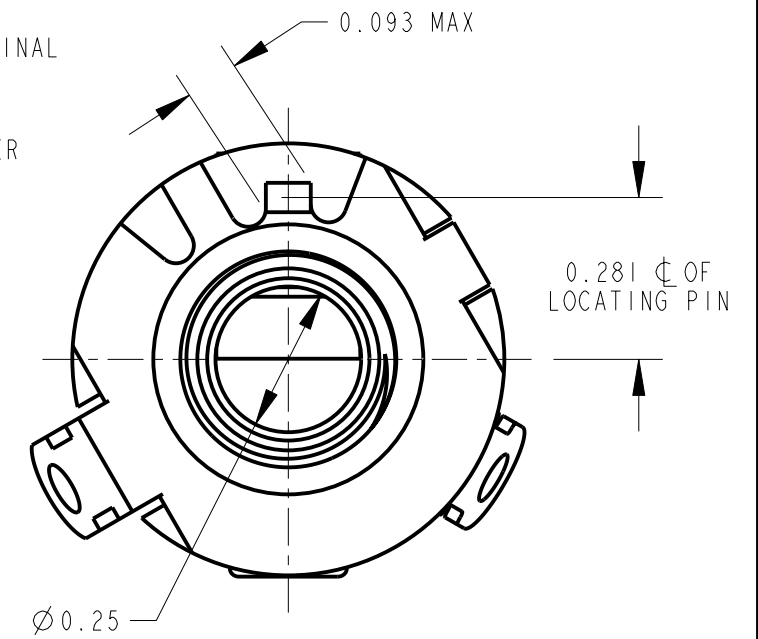
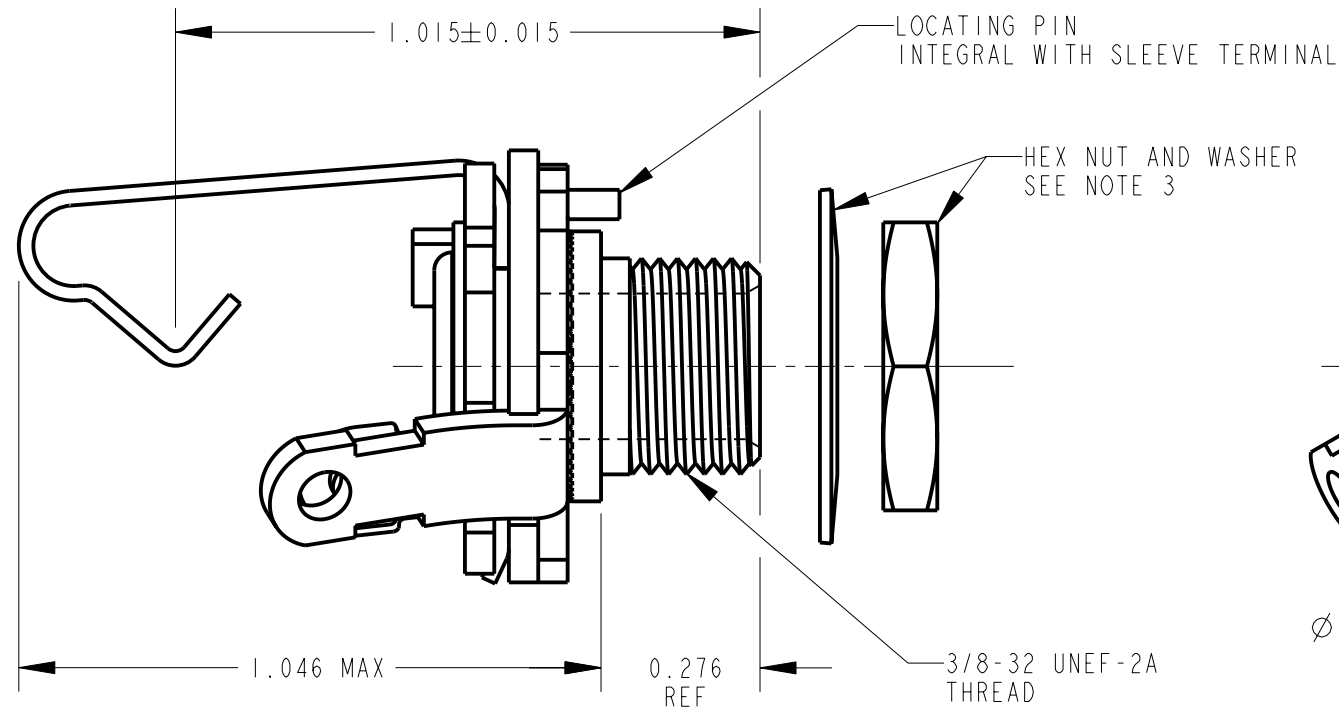
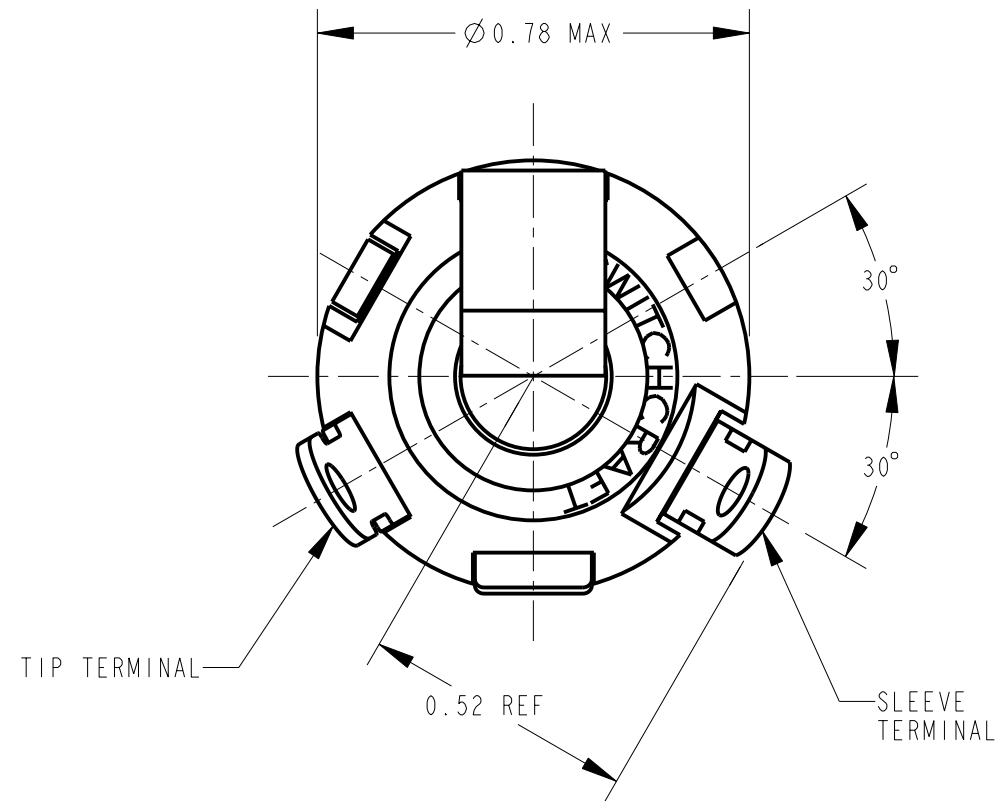


SCHEMATIC



MOUNTING DETAIL



NOTES:

- ALL PARTS ARE MECHANICALLY INTERLOCKED.
- MATERIALS:  
 BUSHING - COPPER ALLOY, NICKEL PLATED  
 SLEEVE TERMINAL - COPPER ALLOY, NICKEL PLATED  
 TIP SPRINGS - SPECIAL COPPER ALLOY  
 INSULATING WASHERS - PHENOLIC  
 METAL WASHER - COPPER ALLOY, NICKEL PLATED  
 HARDWARE - COPPER ALLOY, NICKEL PLATED  
 TERMINALS ARE TIN DIPPED WITH LEAD FREE SOLDER
- K180 HEX NUT AND K216 WASHER SHIPPED UNASSEMBLED.
- THIS PRODUCT IS RoHS COMPLIANT.

CUSTOMER DRAWING

					★ STAR SYMBOL DENOTES CRITICAL DIMENSION	THIS DRAWING DESCRIBES A DESIGN CONSIDERED PROPRIETARY IN NATURE, DEVELOPED AND MANUFACTURED BY SWITCHCRAFT INC. AND IS RELEASED ON A CONFIDENTIAL BASIS FOR IDENTIFICATION PURPOSES ONLY.				
					UNLESS OTHERWISE SPECIFIED	SIZE	WIDTH	MULT	LBS/M	TEMPER
					1. ALL DIMENSIONS IN INCHES - TWO PLACE DECIMALS ±0.01 - THREE PLACE DECIMALS ±0.005 - ANGLES ±1° - ALL DIA. CONCENTRIC WITHIN 0.005 T.I.R.	FINISH		MATERIAL		
					2. FEATURES ON THE SAME CENTERLINE MUST BE ALIGNED WITHIN ±0.002	SPEC No.		SPEC No.		
					3. REMOVE ALL BURRS	FIRST USED ON		SCALE 3:1		
B	27023	9-14-12	TO	TJK	DATE DRAWN	BY	CHKD	APVD		
A	25366	6-24-06	TO	TJK	29-Apr-13	TJK	TJK	4/29/13		
REV	ECO NUMBER	DATE	BY	APVD	NAME		PART No.			
REVISIONS					DO NOT SCALE DRAWING		2 CONDUCTOR			REV
							Ø0.25 LITTEL-JAX, RoHS			B



SHEET 1 OF 1

CIIX