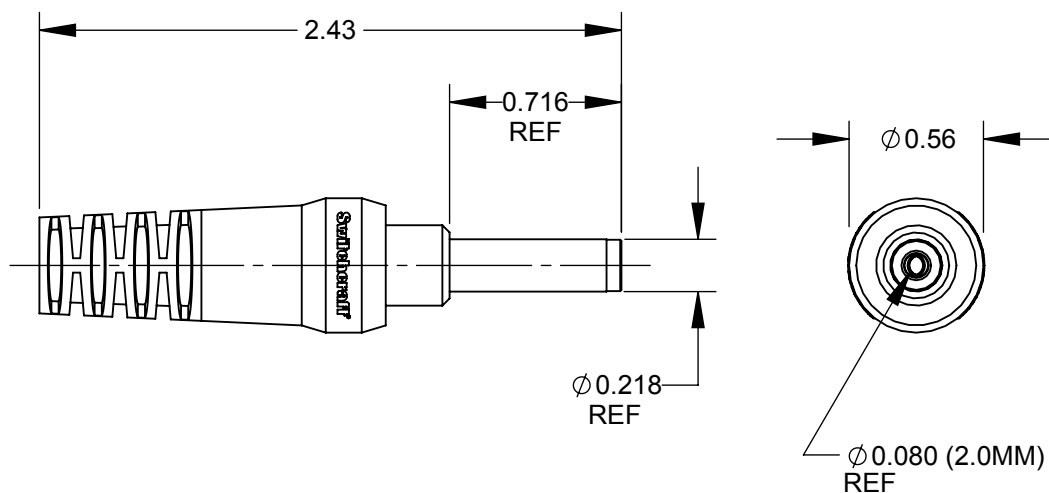




**761KS, 767KS, AND S761KS SERIES
SEALED PLUGS**



**S10KS SERIES
SEALED HI-AMP PLUG**



**S10 SERIES NON-SEALED
NON-LOCKING HI-AMP PLUG**



WIRING TABLE	
POWER PLUG	WIRE COLOR
TIP	RED
SLEEVE	BLACK

CA 07984

CABLE ASSEMBLY

STRIP AND TIN
1/2 INCH BY 1/4 INCH

79 INCHES (2 METERS) OF CABLE

SEALED PLUGS - 2 CONDUCTOR 20 AWG
HI - AMP PLUGS - 2 CONDUCTOR 16 AWG

761KS - SEALED 0.100 (2.5MM) Ø ID
767KS - SEALED 0.084 (2.1MM) Ø ID
S761KS - SEALED 0.080 (2.0MM) Ø ID
S10KS - HI AMP - SEALED 0.080(2.0MM) Ø ID
S10 - HI AMP NON-SEALED - 0.080(2.0MM) Ø ID
 NON-LOCKING

CUSTOMER DRAWING

REV	ECO NUMBER	DATE	BY	APVD
B	27615	11-30-15	TO	TJK
A	27477	4/2/15	TJK	TJK

UNLESS OTHERWISE SPECIFIED

1. ALL DIMENSIONS IN INCHES

- TWO PLACE DECIMALS ±0.02

- THREE PLACE DECIMALS ±0.005

DO NOT SCALE DRAWING

THIS DRAWING DESCRIBES A DESIGN CONSIDERED PROPRIETARY IN NATURE, DEVELOPED AND MANUFACTURED BY SWITCHCRAFT INC. AND IS RELEASED ON A CONFIDENTIAL BASIS FOR IDENTIFICATION PURPOSES ONLY.										
SIZE	WIDTH	MULT	LBS/M	TEMPER						
FINISH					MATERIAL					
SPEC No.					SPEC No.					
FIRST USED ON					SCALE					
					1.25:1					
DATE DRAWN	BY	CHKD	APVD							
3/19/15	AB	AB	TJK							
			3/19/15							
			4/2/15							
NAME CABLE ASSEMBLY - MOLDED STRAIGHT POWER PLUGS, RoHS									PART No.	REV
									CA__07984	B