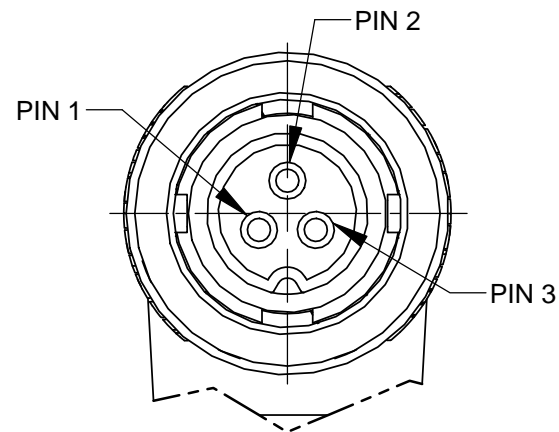


**EN2C3M20
RIGHT ANGLE OVERMOLDED**
OVERMOLD - BLACK THERMOPLASTIC RUBBER
CONNECTOR - BLACK THERMOPLASTIC, WITH INSERT
MOLDED BLACK THERMOPLASTIC RUBBER.
CONTACTS - COPPER ALLOY, GOLD PLATED

S.C.O



**EN2C3M20 VIEWED FROM
FRONT MATING
SIDE OF CONNECTOR
SCALE 3 : 1**

WIRING TABLE	
EN2C3M20	WIRE COLOR
PIN 1	BLACK
PIN 2	WHITE
PIN 3	GREEN

CUSTOMER DRAWING

NOTES:

1. THIS PRODUCT IS RoHS COMPLIANT.

					THIS DRAWING DESCRIBES A DESIGN CONSIDERED PROPRIETARY IN NATURE, DEVELOPED AND MANUFACTURED BY SWITCHCRAFT INC. AND IS RELEASED ON A CONFIDENTIAL BASIS FOR IDENTIFICATION PURPOSES ONLY.				
					SIZE *	WIDTH *	MULT *	LBS/M *	TEMPER *
					FINISH *			MATERIAL *	
					SPEC No. *			SPEC No. *	
					FIRST USED ON *		SCALE 1:1		
					DATE DRAWN	BY	CHKD	APVD	
					11/23/16	AB	AB	*	
							11/23/16	*	
					NAME EN2C3M20 RIGHT ANGLE, ON 79" OF CABLE, RoHS			PART No. CARAEN2C3M07990	
					DO NOT SCALE DRAWING			REV 0A	
REVISIONS									