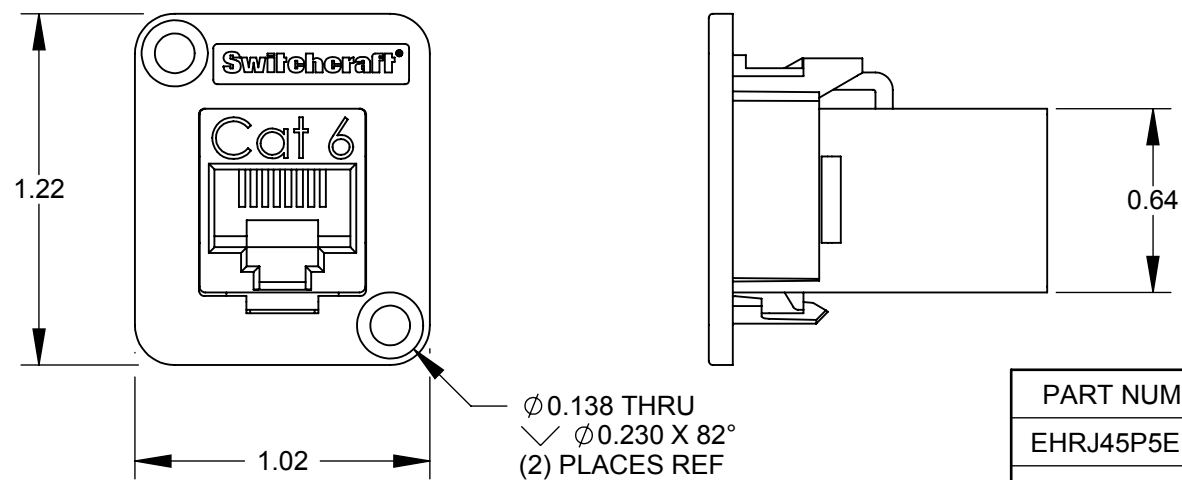
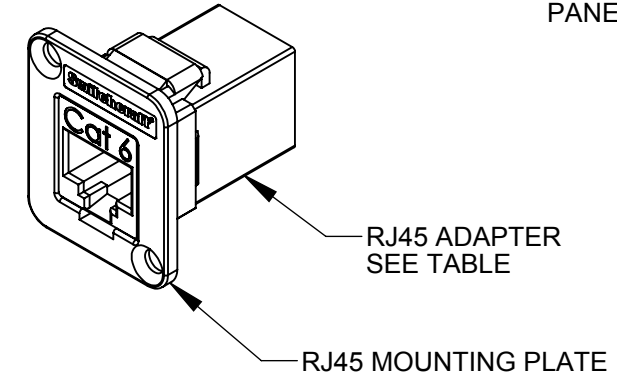
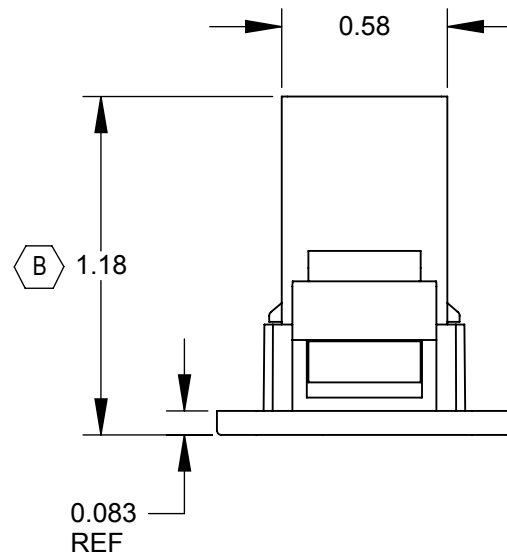
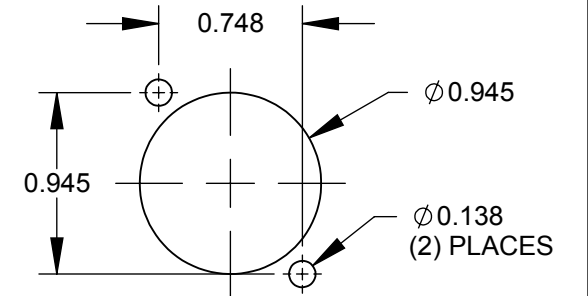


**SHIELDED VERSIONS**  
EHRJ45P5ES  
SHOWN



**UNSHIELDED VERSIONS**  
EHRJ45P6  
SHOWN



RECOMMENDED  
PANEL CUT-OUT

PART NUMBER	RJ45 ADAPTER
EHRJ45P5E	CAT5e UNSHIELDED
EHRJ45P5ES	CAT5e SHIELDED
EHRJ45P6	CAT6 UNSHIELDED
EHRJ45P6S	CAT6 SHIELDED

NOTES:

- ADAPTER MEETS:  
CAT5e: TIA/EIA-568-B.2 STANDARD  
CAT6: TIA/EIA-568-B.2-1 STANDARD
- MATERIALS:  
RJ45 MOUNTING PLATE - THERMOPLASTIC, BLACK  
RJ45 HOUSING - THERMOPLASTIC, BLACK  
RJ45 SHIELD - COPPER ALLOY, NICKEL PLATED
- FOR SCREWS TO BE SHIPPED WITH ASSEMBLY, ADD SUFFIX -PKG TO PART NUMBER.
- WHEN MOUNTING ASSEMBLY, USE A SCREW TORQUE OF 10 INCH-LBS MAXIMUM.
- THIS PRODUCT IS RoHS COMPLIANT.

**CUSTOMER DRAWING**

REVISIONS					UNLESS OTHERWISE SPECIFIED	THIS DRAWING DESCRIBES A DESIGN CONSIDERED PROPRIETARY IN NATURE, DEVELOPED AND MANUFACTURED BY SWITCHCRAFT INC. AND IS RELEASED ON A CONFIDENTIAL BASIS FOR IDENTIFICATION PURPOSES ONLY.					
REV	ECO NUMBER	DATE	BY	APVD		SIZE	WIDTH	MULT	LBS/M	TEMPER	
B	27247	1/21/14	JGK	TJK	1. ALL DIMENSIONS IN INCHES - TWO PLACE DECIMALS ±0.02 - THREE PLACE DECIMALS ±0.005	FINISH			MATERIAL		
A	26387	5/15/09	RS	TJK		SPEC No.			SPEC No.		
						FIRST USED ON		SCALE		Switchcraft®	
					DO NOT SCALE DRAWING					SHEET 1 OF 1	
					EH SERIES RJ45, RoHS					PART No. EHRJ45P SERIES	
										REV <b>B</b>	