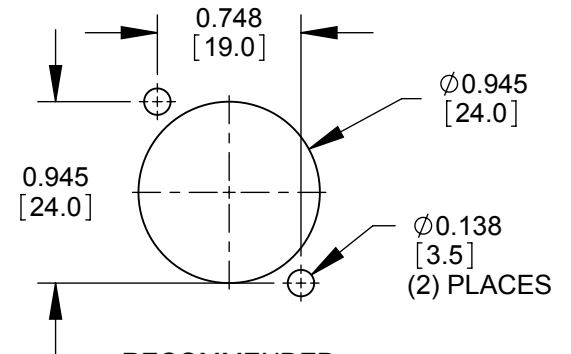
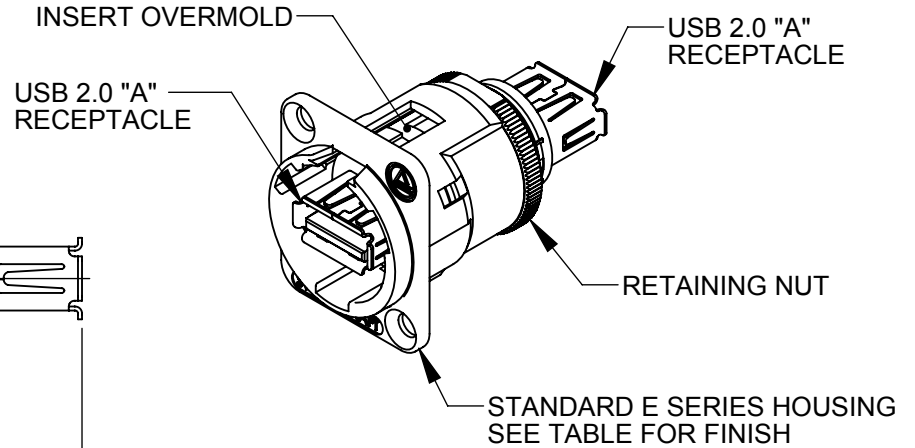
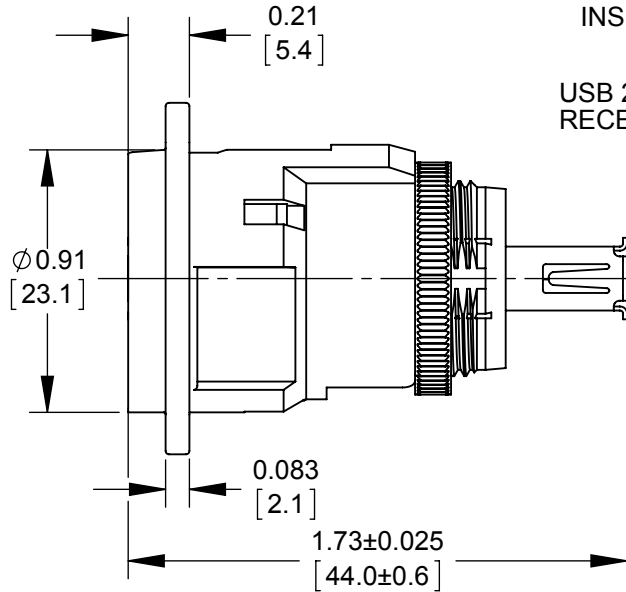


$\varnothing 0.138$ THRU
 [3.5]
 $\surd \varnothing 0.230 \times 82^\circ$
 (2) PLACES



NOTES:

- MATERIALS:**
 INSERT OVERMOLD - THERMOPLASTIC, BLACK
 RETAINING NUT - BRASS, NICKEL PLATED
 HOUSING - ZINC ALLOY
- THIS PRODUCT IS RoHS COMPLIANT.

PART NUMBER	HOUSING FINISH
EHUSBAAX	NICKEL
EHUSBAABX	BLACK CHROME

CUSTOMER DRAWING

					THIS DRAWING DESCRIBES A DESIGN CONSIDERED PROPRIETARY IN NATURE, DEVELOPED AND MANUFACTURED BY SWITCHCRAFT INC. AND IS RELEASED ON A CONFIDENTIAL BASIS FOR IDENTIFICATION PURPOSES ONLY.								
UNLESS OTHERWISE SPECIFIED 1. ALL DIMENSIONS IN INCHES [mm] - TWO PLACE DECIMALS ± 0.02 [0.5] - THREE PLACE DECIMALS ± 0.005 [0.13]					SIZE	WIDTH	MULT	LBS/M	TEMPER				
					FINISH				MATERIAL				
					SPEC No.				SPEC No.				
					FIRST USED ON		SCALE						
					DATE DRAWN		BY	CHKD	APVD				
					9/02/15		JGK	*	*				
							*	*					
										SHEET 1 OF 1			
0A	PRELIMINARY	9/02/15	JGK	*	NAME E SERIES CONNECTOR, USB A FEMALE TO A FEMALE, RoHS					PART No.	REV		
REVISIONS					DO NOT SCALE DRAWING					EHUSBAA_X SERIES		0A	

