

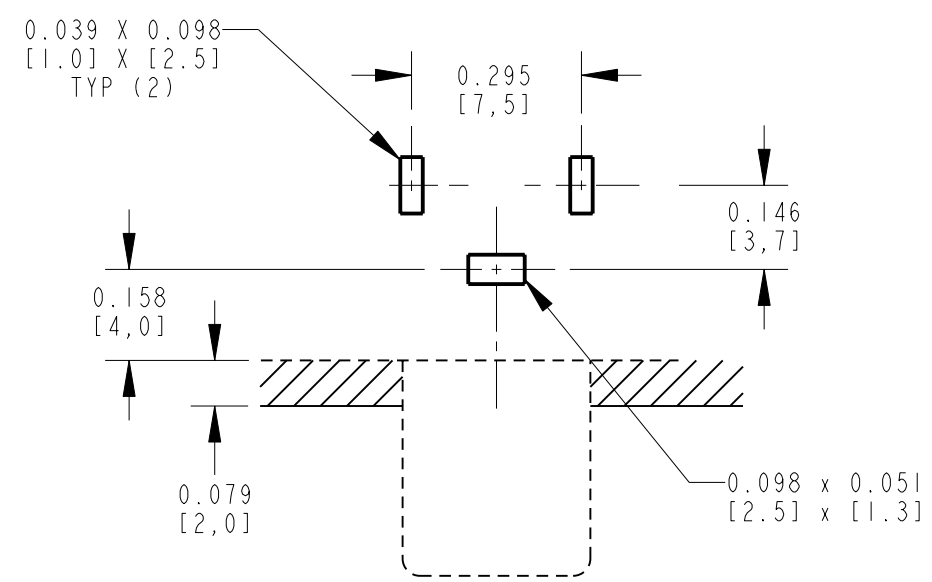
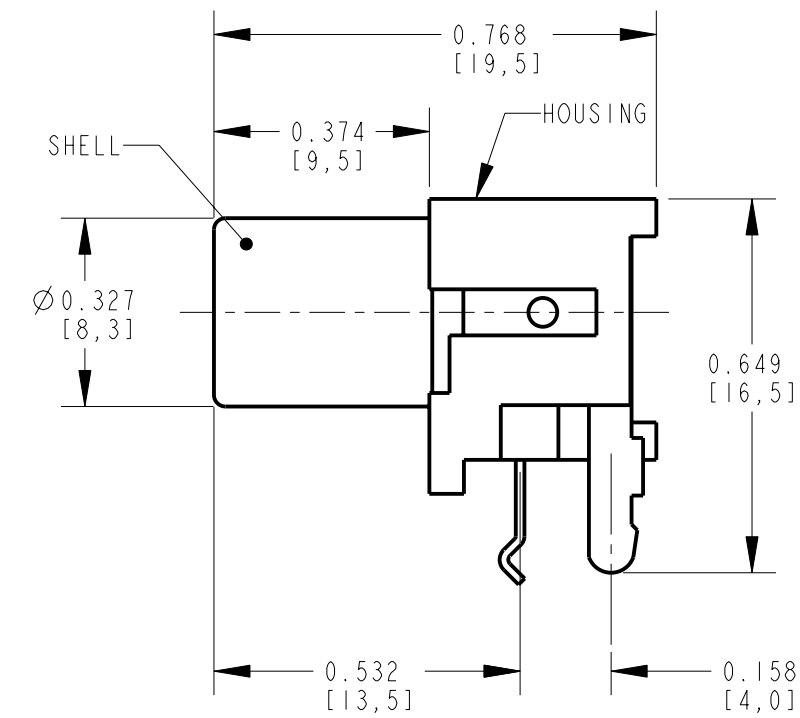
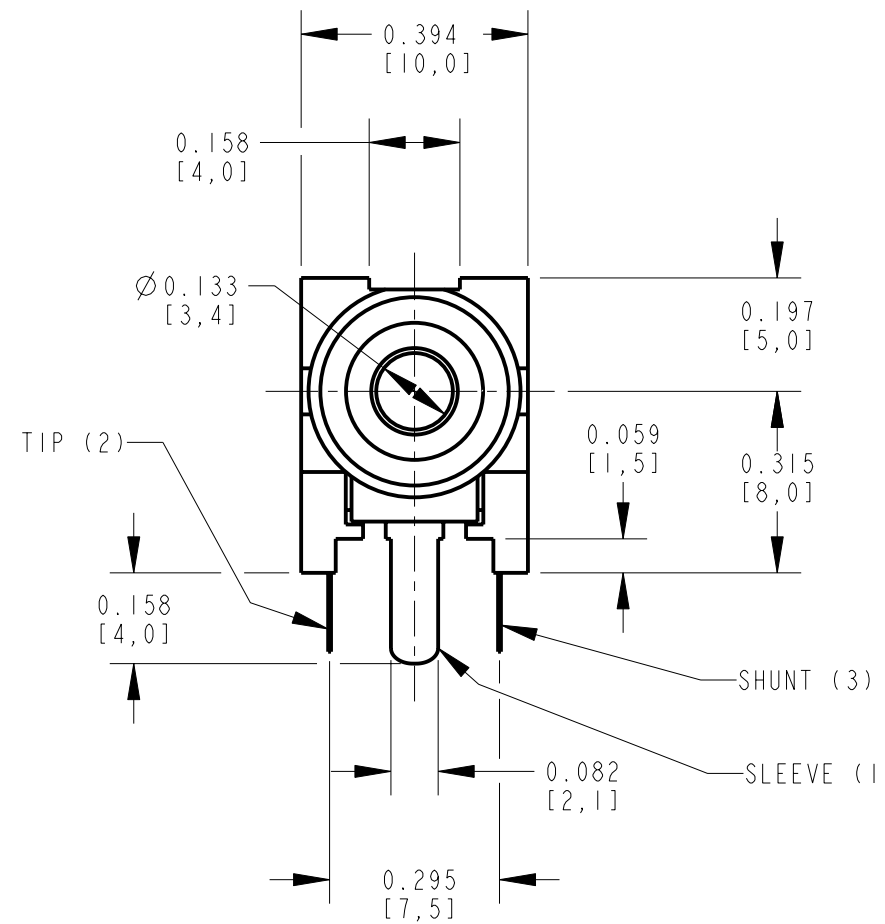
NOTES:

- ALL DIMENSIONS ARE REFERENCE.
- MATERIALS:
HOUSING: ABS, UL-94HB
SHELL & SLEEVE TERMINAL: COPPER ALLOY,
NICKEL OR GOLD PLATED
TIP & SHUNT TERMINALS: COPPER ALLOY, TIN PLATED
- THIS PART IS RoHS COMPLIANT

PART NUMBER	COLOR OF HOUSING	SHELL AND SLEEVE TERMINAL FINISH
PJ-RANIXIU01X	BLACK	NICKEL PLATED
PJ-RANIXIU01AUX	BLACK	GOLD PLATED
PJ-RANIXIU02X	WHITE	NICKEL PLATED
PJ-RANIXIU02AUX	WHITE	GOLD PLATED
PJ-RANIXIU03X	RED	NICKEL PLATED
PJ-RANIXIU03AUX	RED	GOLD PLATED
PJ-RANIXIU04X	YELLOW	NICKEL PLATED
PJ-RANIXIU04AUX	YELLOW	GOLD PLATED
PJ-RANIXIU07X	ORANGE	NICKEL PLATED



SCHEMATIC



P.C. BOARD LAYOUT
COMPONENT SIDE

CUSTOMER DRAWING

REV	ECO NUMBER	DATE	BY	APVD
A	25181	1-13-06	JL	TJK

★ STAR SYMBOL DENOTES CRITICAL DIMENSION

UNLESS OTHERWISE SPECIFIED

1. ALL DIMENSIONS IN INCHES
- TWO PLACE DECIMALS ±0.01
- THREE PLACE DECIMALS ±0.005
- ANGLES ±1°
- ALL DIA. CONCENTRIC WITHIN 0.005 T.I.R.

2. FEATURES ON THE SAME CENTERLINE MUST BE ALIGNED WITHIN ±0.002

3. REMOVE ALL BURRS

DO NOT SCALE DRAWING

THIS DRAWING DESCRIBES A DESIGN CONSIDERED PROPRIETARY IN NATURE, DEVELOPED AND MANUFACTURED BY SWITCHCRAFT INC. AND IS RELEASED ON A CONFIDENTIAL BASIS FOR IDENTIFICATION PURPOSES ONLY.				
SIZE	WIDTH	MULT	LBS/M	TEMPER
FINISH		MATERIAL		
SPEC No.		SPEC No.		
FIRST USED ON		SCALE		
		3:1		
DATE DRAWN	BY	CHKD	APVD	
13-Jan-06	JL	TJK 1-13-06	TJK 1-13-06	
NAME			PART No.	REV
PHONO JACK - RIGHT ANGLE 1 POS, PC MOUNT, UNSHIELDED, RoHS			PJ-RANIXIU_-X SERIES	A

