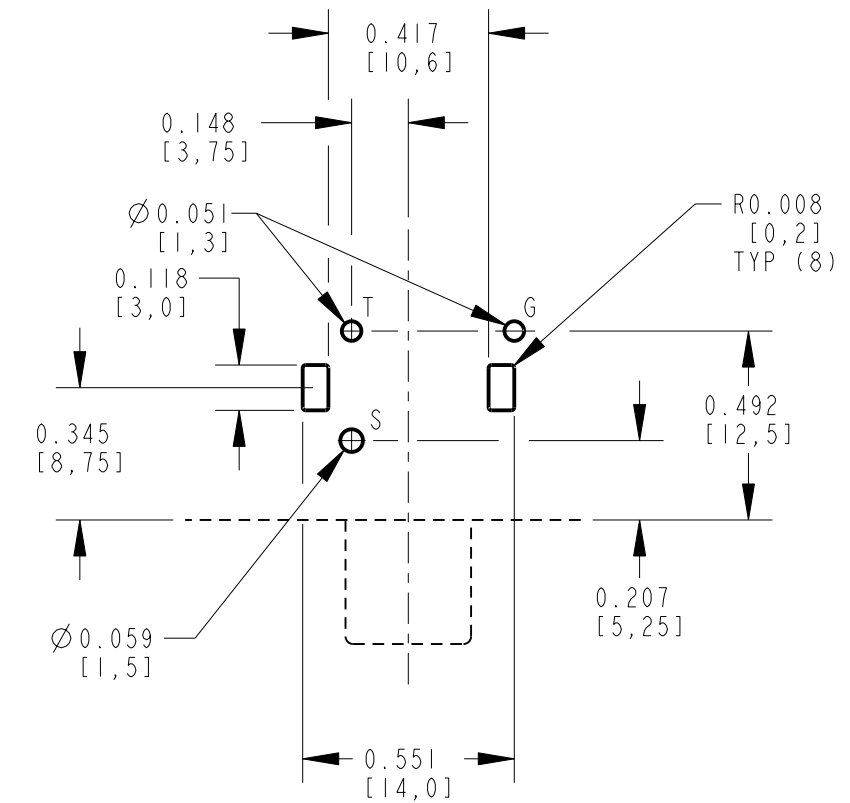


NOTES:

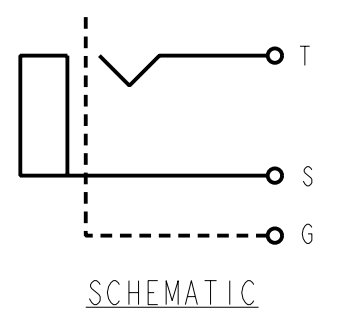
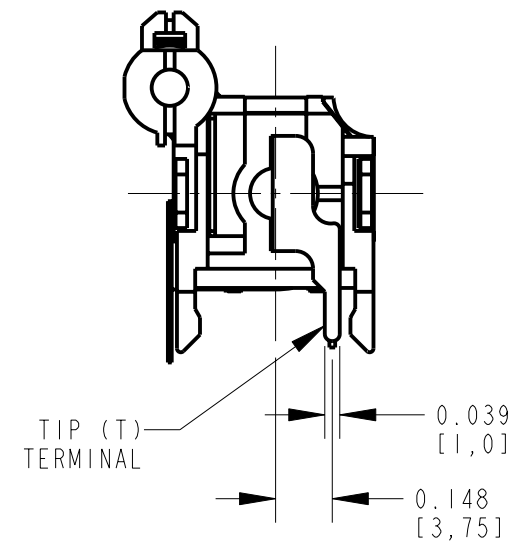
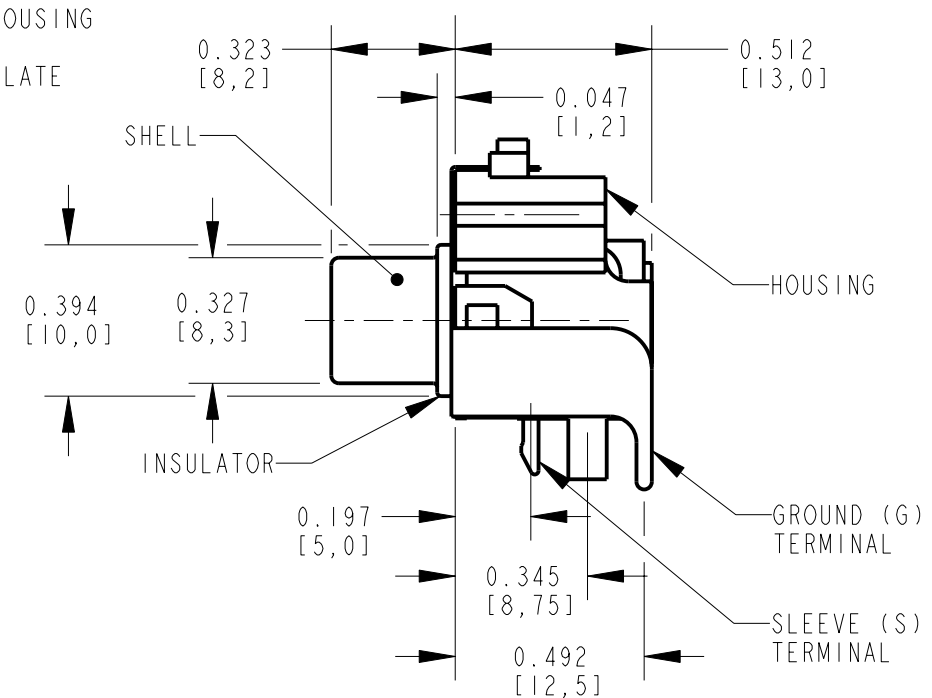
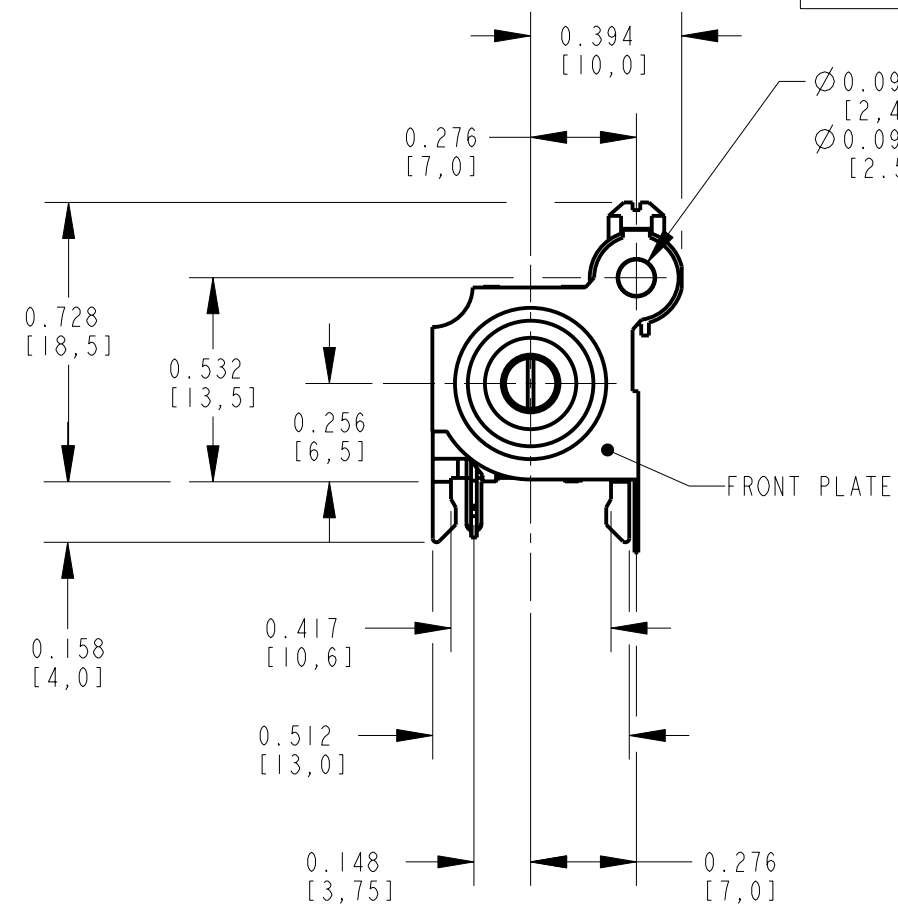
- ALL DIMENSIONS ARE REFERENCE.
- MATERIALS:
HOUSING: ABS, UL-94HB, SEE TABLE FOR COLOR.
INSULATORS: ABS, UL-94HB
SHELL & SLEEVE TERMINAL: COPPER ALLOY,
SEE TABLE FOR PLATING.

- (B) TIP TERMINAL: COPPER ALLOY,
SEE TABLE FOR PLATING
- (B) FRONT PLATE & GROUND TERMINAL: COPPER ALLOY,
SEE TABLE FOR PLATING
- THIS PART IS RoHS COMPLIANT

PART NUMBER	HOUSING COLOR	SHELL AND SLEEVE TERMINAL FINISH	TIP TERMINAL	FRONT PLATE & GROUND TERMINAL
PJRSIXIS01X	BLACK	NICKEL PLATED	MATTE TIN PLATED	MATTE TIN PLATED
PJRSIXIS01AUX	BLACK	GOLD PLATED	MATTE TIN PLATED	MATTE TIN PLATED
PJRSIXIS01AUALLX	BLACK	GOLD PLATED	GOLD PLATED	GOLD PLATED
PJRSIXIS02X	WHITE	NICKEL PLATED	MATTE TIN PLATED	MATTE TIN PLATED
PJRSIXIS02AUX	WHITE	GOLD PLATED	MATTE TIN PLATED	MATTE TIN PLATED
PJRSIXIS03X	RED	NICKEL PLATED	MATTE TIN PLATED	MATTE TIN PLATED
PJRSIXIS03AUX	RED	GOLD PLATED	MATTE TIN PLATED	MATTE TIN PLATED
PJRSIXIS03AUALLX	RED	GOLD PLATED	GOLD PLATED	GOLD PLATED
PJRSIXIS04X	YELLOW	NICKEL PLATED	MATTE TIN PLATED	MATTE TIN PLATED
PJRSIXIS04AUX	YELLOW	GOLD PLATED	MATTE TIN PLATED	MATTE TIN PLATED
PJRSIXIS05X	BLUE	NICKEL PLATED	MATTE TIN PLATED	MATTE TIN PLATED
PJRSIXIS05AUALLX	BLUE	GOLD PLATED	GOLD PLATED	GOLD PLATED
PJRSIXIS06X	GREEN	NICKEL PLATED	MATTE TIN PLATED	MATTE TIN PLATED
PJRSIXIS06AUALLX	GREEN	GOLD PLATED	GOLD PLATED	GOLD PLATED
PJRSIXIS07X	ORANGE	NICKEL PLATED	MATTE TIN PLATED	MATTE TIN PLATED
PJRSIXIS07AUX	ORANGE	GOLD PLATED	MATTE TIN PLATED	MATTE TIN PLATED



P.C. BOARD LAYOUT
COMPONENT SIDE



CUSTOMER DRAWING

REV	ECO NUMBER	DATE	BY	APVD
B	25738	10-26-07	TJK	TJK
A	25181	1-13-06	JL	TJK

★ STAR SYMBOL DENOTES CRITICAL DIMENSION

UNLESS OTHERWISE SPECIFIED

- ALL DIMENSIONS IN INCHES
- TWO PLACE DECIMALS ±0.01
- THREE PLACE DECIMALS ±0.005
- ANGLES ±1°
- ALL DIA. CONCENTRIC WITHIN 0.005 T.I.R.
- FEATURES ON THE SAME CENTERLINE MUST BE ALIGNED WITHIN ±0.002
- REMOVE ALL BURRS

DO NOT SCALE DRAWING

THIS DRAWING DESCRIBES A DESIGN CONSIDERED PROPRIETARY IN NATURE, DEVELOPED AND MANUFACTURED BY SWITCHCRAFT INC. AND IS RELEASED ON A CONFIDENTIAL BASIS FOR IDENTIFICATION PURPOSES ONLY.

SIZE	WIDTH	MULT	LBS/M	TEMPER
FINISH		MATERIAL		
SPEC No.		SPEC No.		
FIRST USED ON		SCALE		
		2:1		
DATE DRAWN	BY	CHKD	APVD	
13-Jan-06	JL	TJK	TJK	
		1-13-06	1-13-06	
NAME			PART No.	REV
PHONO JACK, RIGHT ANGLE, 1 POS. SCREW MOUNT, SHIELDED, RoHS			PJRSIXIS_-X SERIES	B

Switchcraft[®]

SHEET | OF |