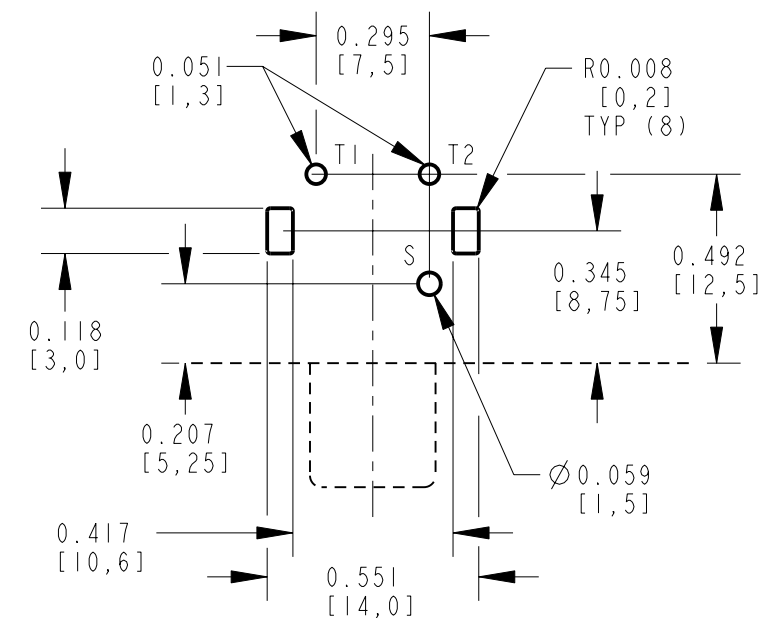
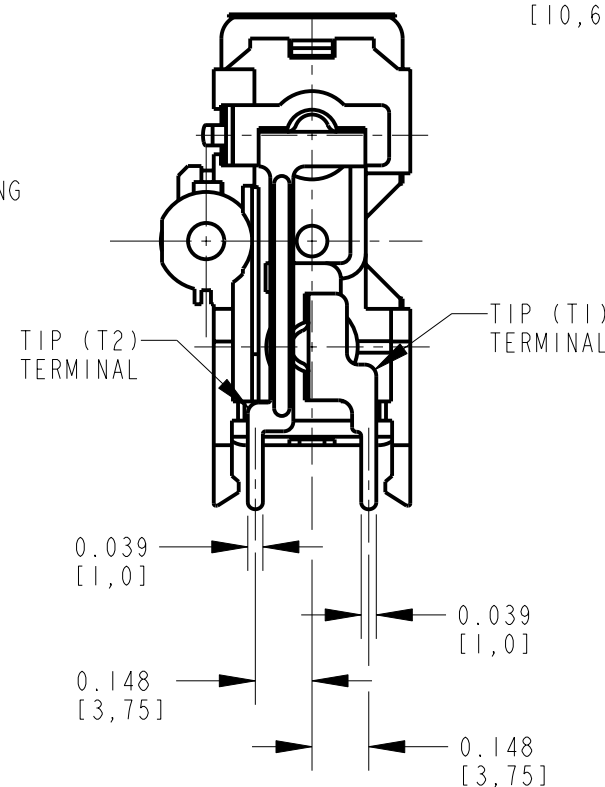
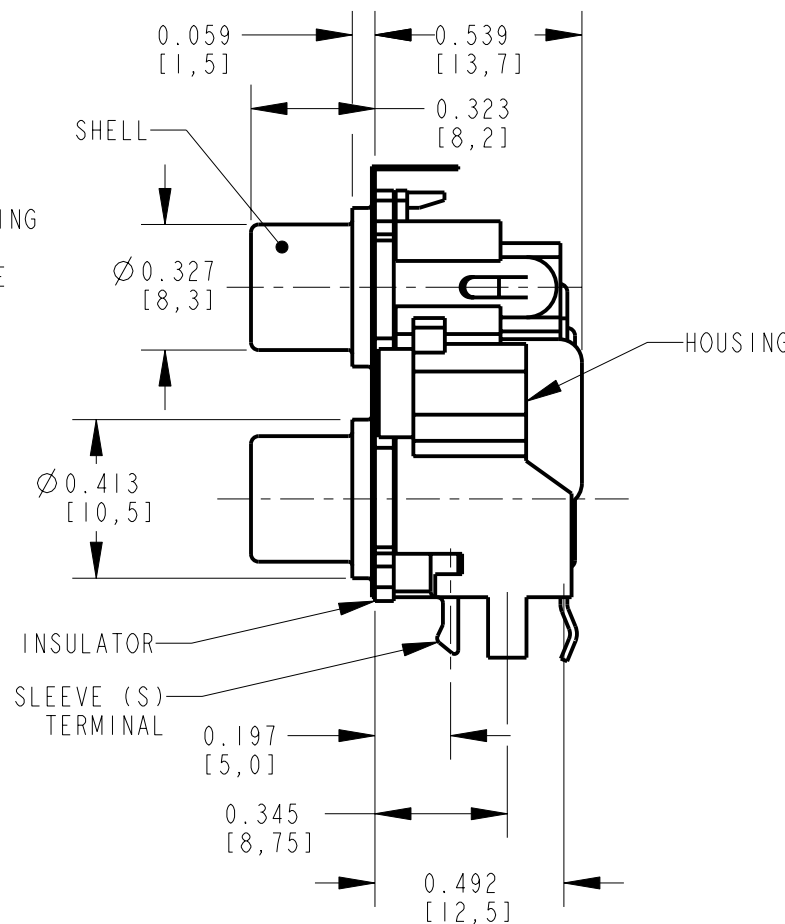
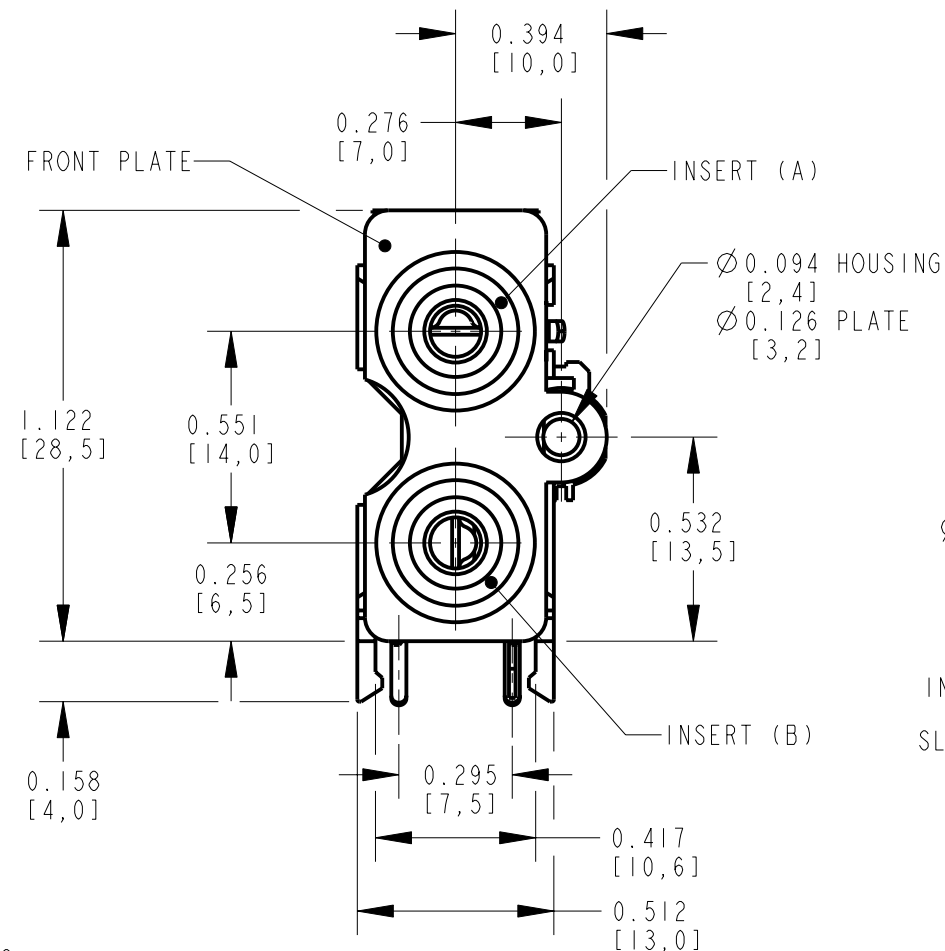
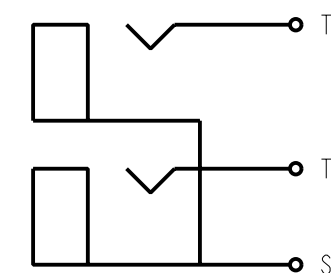


| PART NUMBER | INSERT (A) AND HOUSING COLOR | INSERT (B) COLOR | SHELL AND SLEEVE TERMINAL FINISH |
|---------------|------------------------------|------------------|----------------------------------|
| PJRSIX2S01X | RED | WHITE | NICKEL PLATED |
| PJRSIX2S01AUX | RED | WHITE | GOLD PLATED |
| PJRSIX2S02X | WHITE | RED | NICKEL PLATED |
| PJRSIX2S02AUX | WHITE | RED | GOLD PLATED |
| PJRSIX2S03X | BLACK | BLACK | NICKEL PLATED |
| PJRSIX2S04X | WHITE | YELLOW | NICKEL PLATED |



P.C. BOARD LAYOUT
COMPONENT SIDE



SCHEMATIC

NOTES:

- ALL DIMENSIONS ARE REFERENCE.
- MATERIALS:
HOUSING: ABS, UL-94HB
COLOR INSERT: ABS, UL-94HB
INSULATORS: ABS, UL-94HB
SHELL & SHELL TERMINAL: COPPER ALLOY, NICKEL OR GOLD PLATED
TIP TERMINALS: COPPER ALLOY, TIN PLATED
FRONT PLATE: COPPER ALLOY, NICKEL PLATED
- THIS PART IS RoHS COMPLIANT

CUSTOMER DRAWING

| | | | | | | | | | | | |
|-----------|------------|---------|----|------|---------------------------------------------------------------------------------------------------------------------------------------------------------|--------------------------------------------------------------------------------------------------------------------------------------------------------------------------------------------|-------|-----------|---------------------------------|-----------------------------|--|
| | | | | | ★ STAR SYMBOL DENOTES CRITICAL DIMENSION | THIS DRAWING DESCRIBES A DESIGN CONSIDERED PROPRIETARY IN NATURE, DEVELOPED AND MANUFACTURED BY SWITCHCRAFT INC. AND IS RELEASED ON A CONFIDENTIAL BASIS FOR IDENTIFICATION PURPOSES ONLY. | | | | | |
| | | | | | UNLESS OTHERWISE SPECIFIED | SIZE | WIDTH | MULT | LBS/M | TEMPER | |
| | | | | | 1. ALL DIMENSIONS IN INCHES - TWO PLACE DECIMALS ±0.01 - THREE PLACE DECIMALS ±0.005 - ANGLES ±1° - ALL DIA. CONCENTRIC WITHIN 0.005 T.I.R. | FINISH | | MATERIAL | | | |
| | | | | | 2. FEATURES ON THE SAME CENTERLINE MUST BE ALIGNED WITHIN ±0.002 | SPEC No. | | SPEC No. | | | |
| | | | | | 3. REMOVE ALL BURRS | FIRST USED ON | | SCALE 2:1 | | | |
| A | 25181 | 1-13-06 | JL | TJK | DATE DRAWN | BY | CHKD | APVD | Switchcraft [®] | | |
| REV | ECO NUMBER | DATE | BY | APVD | 13-Jan-06 | JL | TJK | TJK | | | |
| REVISIONS | | | | | DO NOT SCALE DRAWING | | | | | SHEET 1 OF 1 | |
| | | | | | NAME PHONO JACK, RIGHT ANGLE 2 POS., SCREW MOUNT, SHIELDED, RoHS | | | | | PART No. PJRSIX2S_-X SERIES | |
| | | | | | | | | | | REV A | |