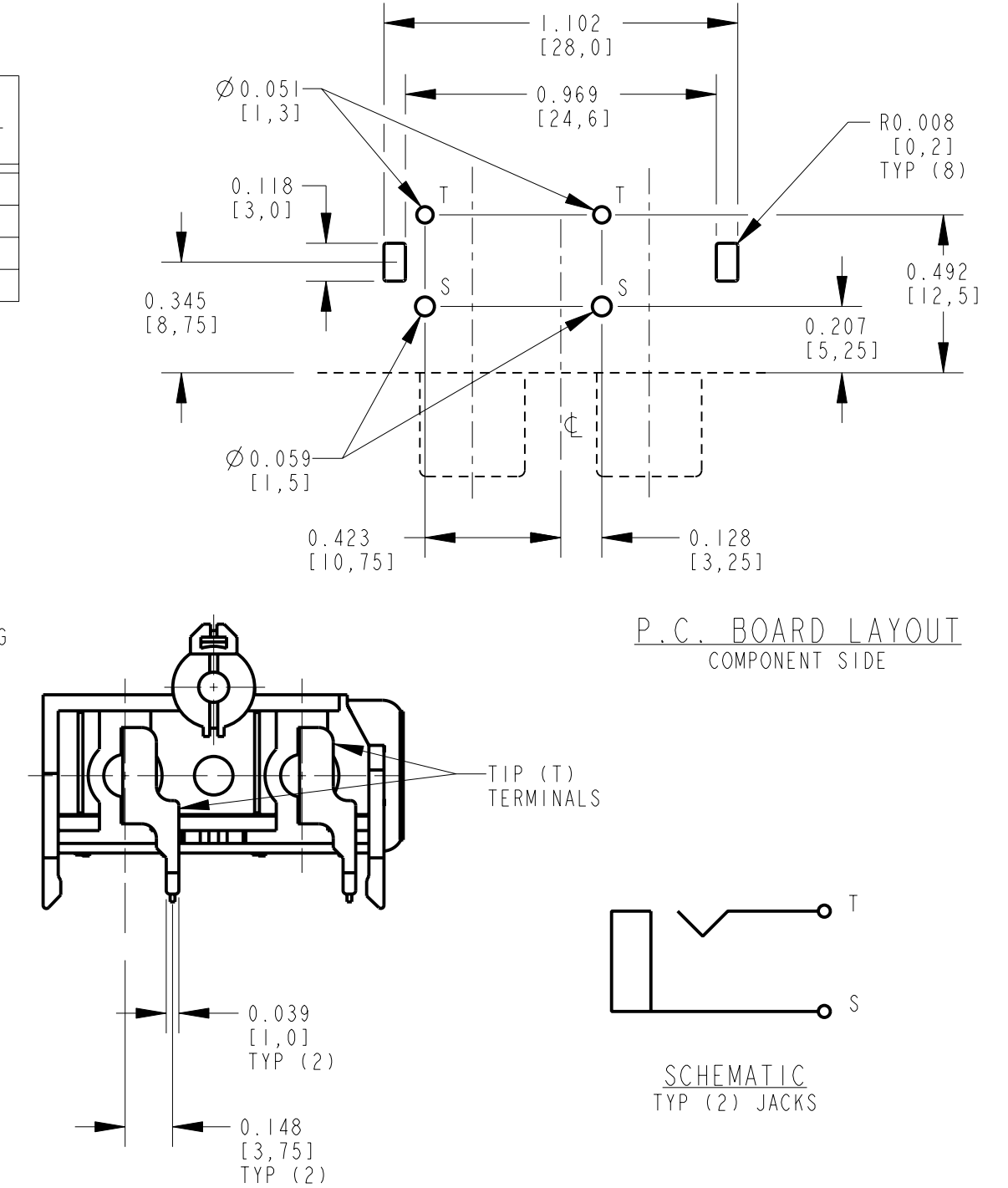
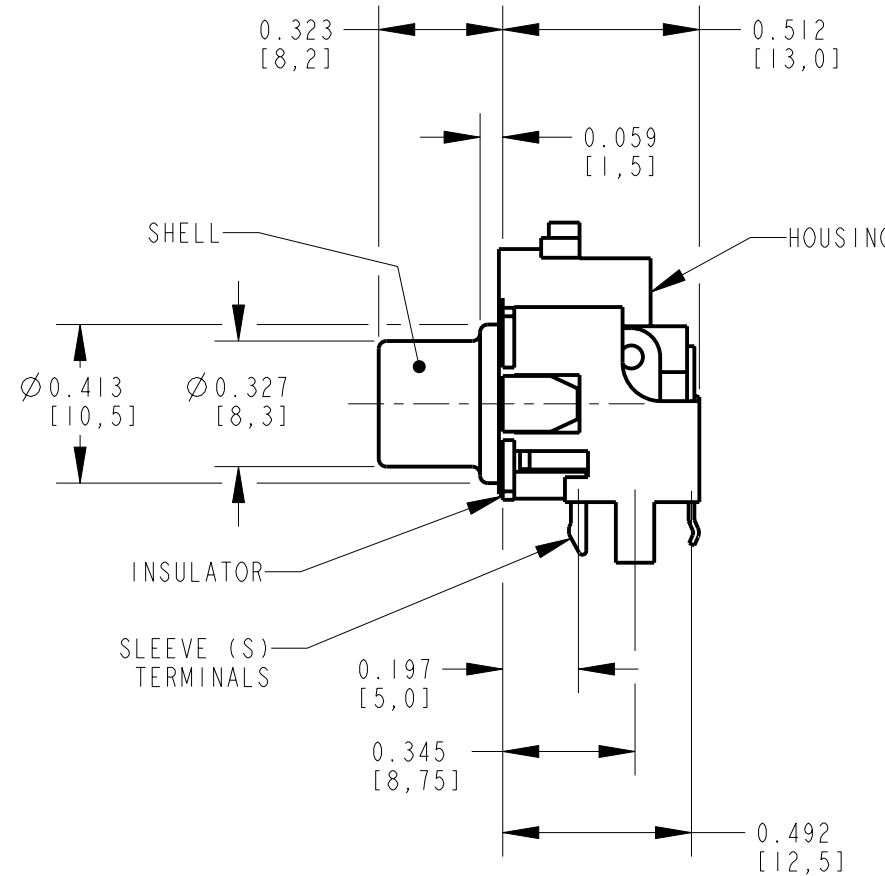
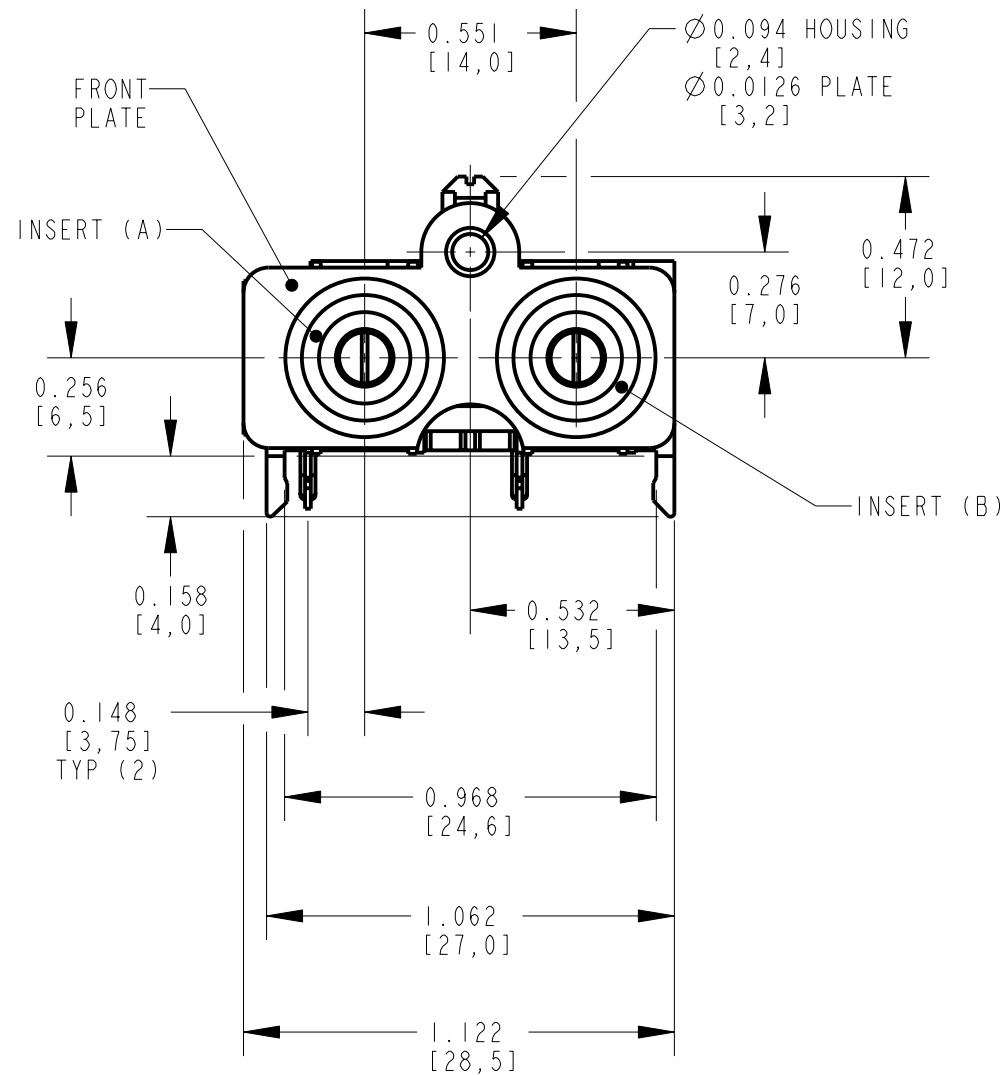


NOTES:

- ALL DIMENSIONS ARE REFERENCE.
- MATERIALS:
 HOUSING: ABS, UL-94HB
 INSULATOR: ABS, UL-94HB
 SHELL & SLEEVE TERMINALS: COPPER ALLOY,
 NICKEL OR GOLD PLATED
 TIP TERMINALS: COPPER ALLOY, TIN PLATED
 FRONT PLATE: COPPER ALLOY, NICKEL PLATED
- THIS PART IS RoHS COMPLIANT

| PART NUMBER | INSERT (A) COLOR | INSERT (B) AND HOUSING COLOR | SHELL AND SLEEVE TERMINAL FINISH |
|----------------|------------------|------------------------------|----------------------------------|
| PJRAS2XIS01X | RED | WHITE | NICKEL PLATED |
| PJRAS2XIS01AUX | RED | WHITE | GOLD PLATED |
| PJRAS2XIS02X | WHITE | RED | NICKEL PLATED |
| PJRAS2XIS02AUX | WHITE | RED | GOLD PLATED |



CUSTOMER DRAWING

| REV | ECO NUMBER | DATE | BY | APVD |
|-----|------------|---------|----|------|
| A | 25181 | 1-13-06 | JL | TJK |

REVISIONS

★ STAR SYMBOL DENOTES CRITICAL DIMENSION

UNLESS OTHERWISE SPECIFIED

- ALL DIMENSIONS IN INCHES
 - TWO PLACE DECIMALS ±0.01
 - THREE PLACE DECIMALS ±0.005
 - ANGLES ±1°
 - ALL DIA. CONCENTRIC WITHIN 0.005 T.I.R.
- FEATURES ON THE SAME CENTERLINE MUST BE ALIGNED WITHIN ±0.002
- REMOVE ALL BURRS

DO NOT SCALE DRAWING

THIS DRAWING DESCRIBES A DESIGN CONSIDERED PROPRIETARY IN NATURE, DEVELOPED AND MANUFACTURED BY SWITCHCRAFT INC. AND IS RELEASED ON A CONFIDENTIAL BASIS FOR IDENTIFICATION PURPOSES ONLY.

| | | | | |
|---|-------|---------------------|---------|--------|
| SIZE | WIDTH | MULT | LBS/M | TEMPER |
| FINISH | | MATERIAL | | |
| SPEC No. | | SPEC No. | | |
| FIRST USED ON | | SCALE | | |
| | | 2:1 | | |
| DATE DRAWN | BY | CHKD | APVD | |
| 13-Jan-06 | JL | TJK | TJK | |
| | | 1-13-06 | 1-13-06 | |
| NAME | | PART No. | | REV |
| PHONO JACK, RIGHT ANGLE, 2 POS. SCREW MOUNT, SHIELDED, RoHS | | PJRAS2XIS_-X SERIES | | A |

Switchcraft
SHEET 1 OF 1