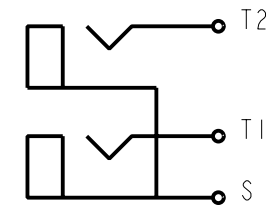
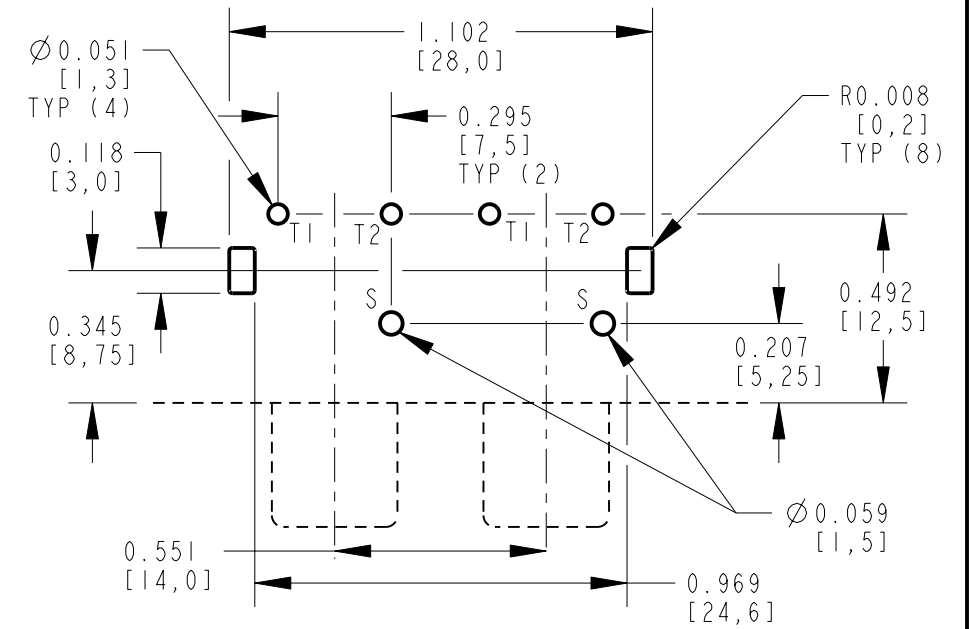


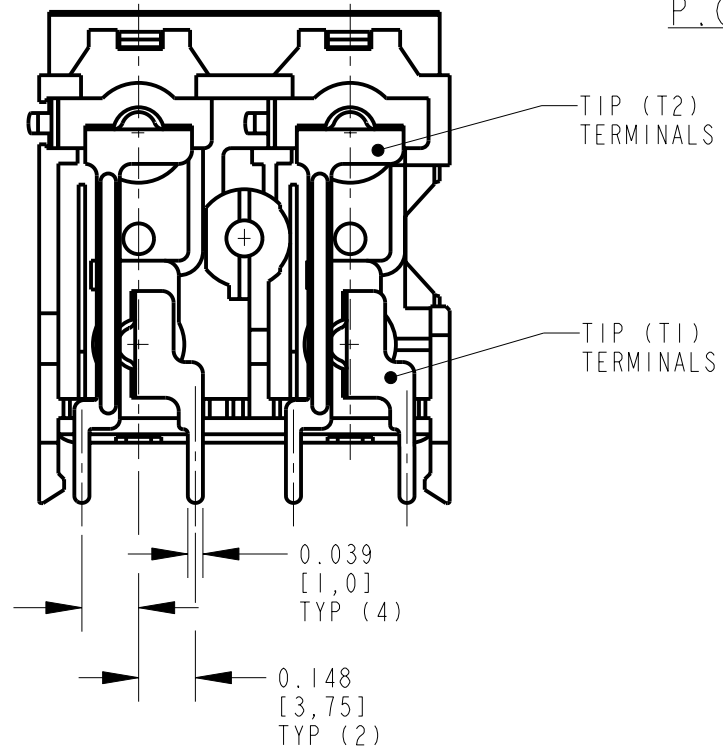
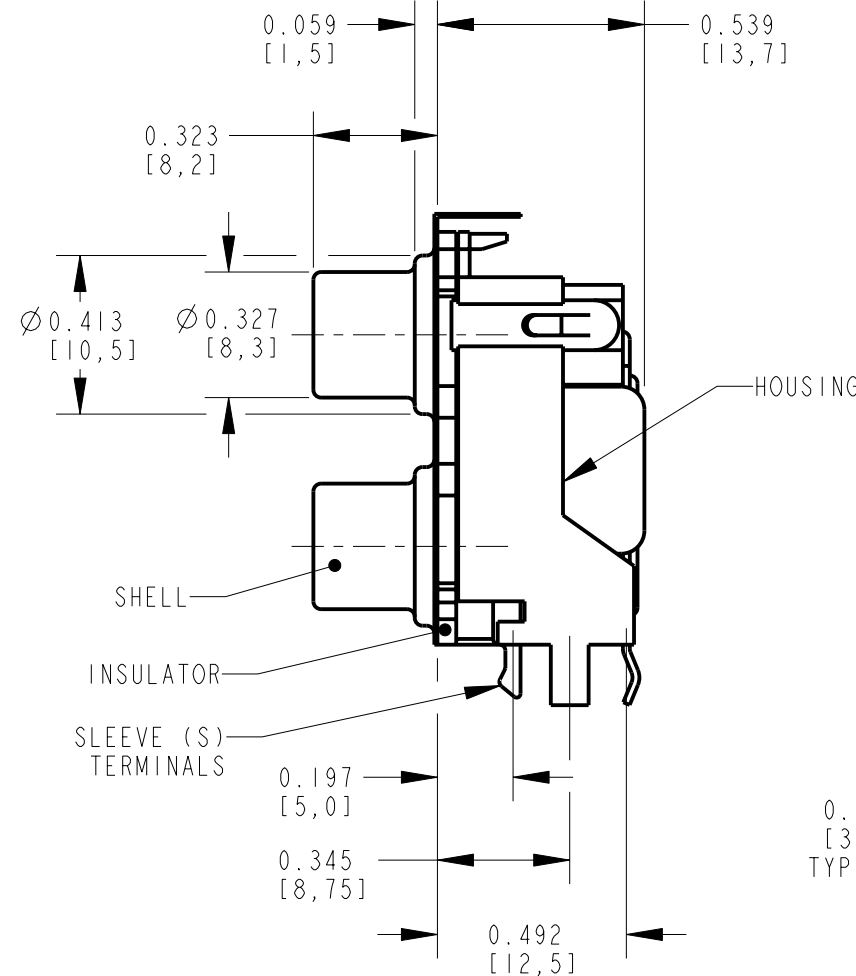
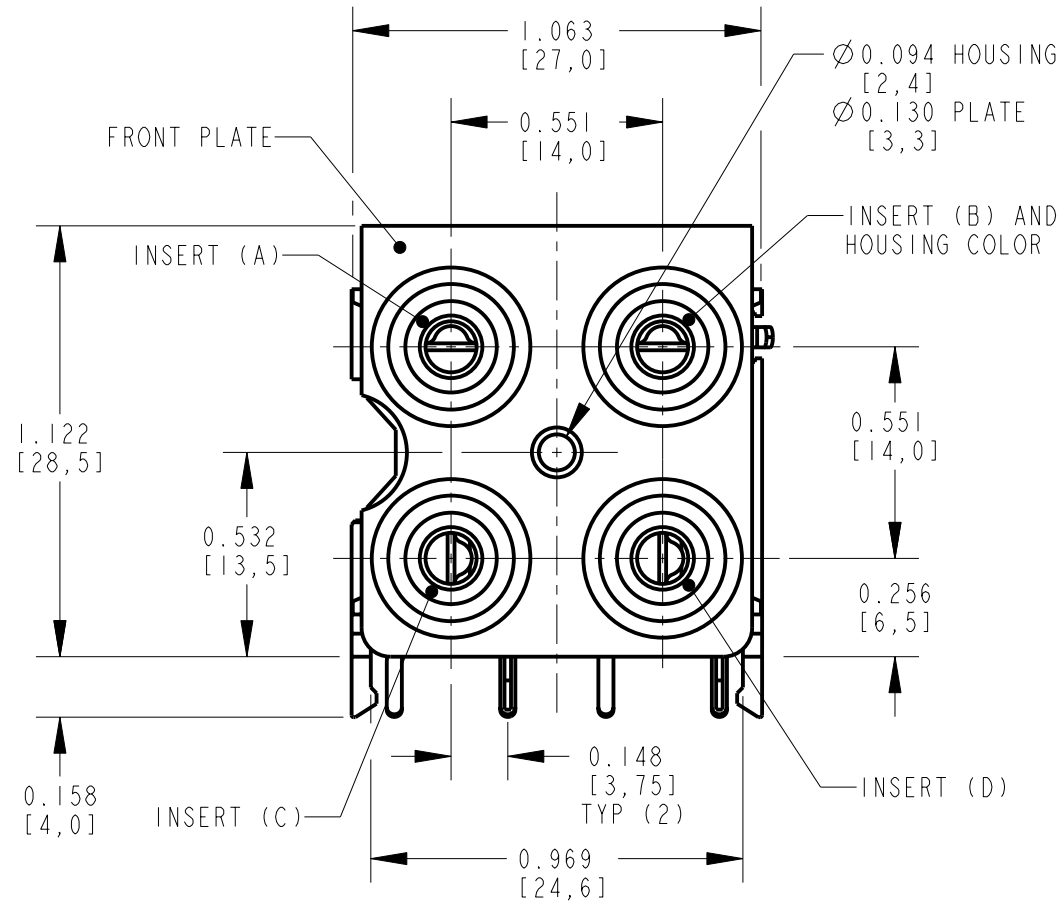
PART NUMBER	INSERT COLOR	INSERT COLOR	SHELL AND SLEEVE TERMINAL FINISH	TIP TERMINAL FINISH	FRONT PLATE FINISH
	A	B			
PJRAS2X2S01X	WHITE	WHITE	NICKEL PLATED	TIN PLATED	NICKEL PLATED
	RED	RED			
PJRAS2X2S01AUX	WHITE	WHITE	GOLD PLATED	TIN PLATED	NICKEL PLATED
	RED	RED			
PJRAS2X2S01AUALLX	WHITE	WHITE	GOLD PLATED	GOLD PLATED	GOLD PLATED
	RED	RED			



SCHEMATIC
TYP (2) JACKS



P.C. BOARD LAYOUT
COMPONENT SIDE



NOTES:

- ALL DIMENSIONS ARE REFERENCE.
- MATERIALS:
 HOUSING: ABS, UL-94HB
 COLOR INSERT: ABS, UL-94HB
 INSULATOR: ABS, UL-94HB
 SHELL & SLEEVE TERMINALS: COPPER ALLOY, SEE TABLE
 TIP TERMINALS: COPPER ALLOY, SEE TABLE
 FRONT PLATE: COPPER ALLOY, SEE TABLE
- THIS PART IS RoHS COMPLIANT

CUSTOMER DRAWING

					★ STAR SYMBOL DENOTES CRITICAL DIMENSION	THIS DRAWING DESCRIBES A DESIGN CONSIDERED PROPRIETARY IN NATURE, DEVELOPED AND MANUFACTURED BY SWITCHCRAFT INC. AND IS RELEASED ON A CONFIDENTIAL BASIS FOR IDENTIFICATION PURPOSES ONLY.				
					UNLESS OTHERWISE SPECIFIED	SIZE	WIDTH	MULT	LBS/M	TEMPER
					1. ALL DIMENSIONS IN INCHES - TWO PLACE DECIMALS ±0.01 - THREE PLACE DECIMALS ±0.005 - ANGLES ±1° - ALL DIA. CONCENTRIC WITHIN 0.005 T.I.R.	FINISH		MATERIAL		
					2. FEATURES ON THE SAME CENTERLINE MUST BE ALIGNED WITHIN ±0.002	SPEC No.		SPEC No.		
					3. REMOVE ALL BURRS	FIRST USED ON		SCALE		
						DATE DRAWN		BY	CHKD	APVD
						13-Jan-06	JL	TJK	TJK	TJK
						NAME		PART No.		
						PHONO JACK, RIGHT ANGLE, 4 POS		PJRAS2X2S_-X SERIES		
						SCREW MOUNT, SHIELDED, RoHS		REV		
								A		
REVISIONS					DO NOT SCALE DRAWING					