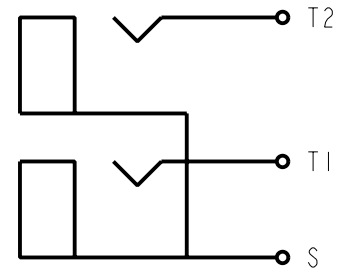
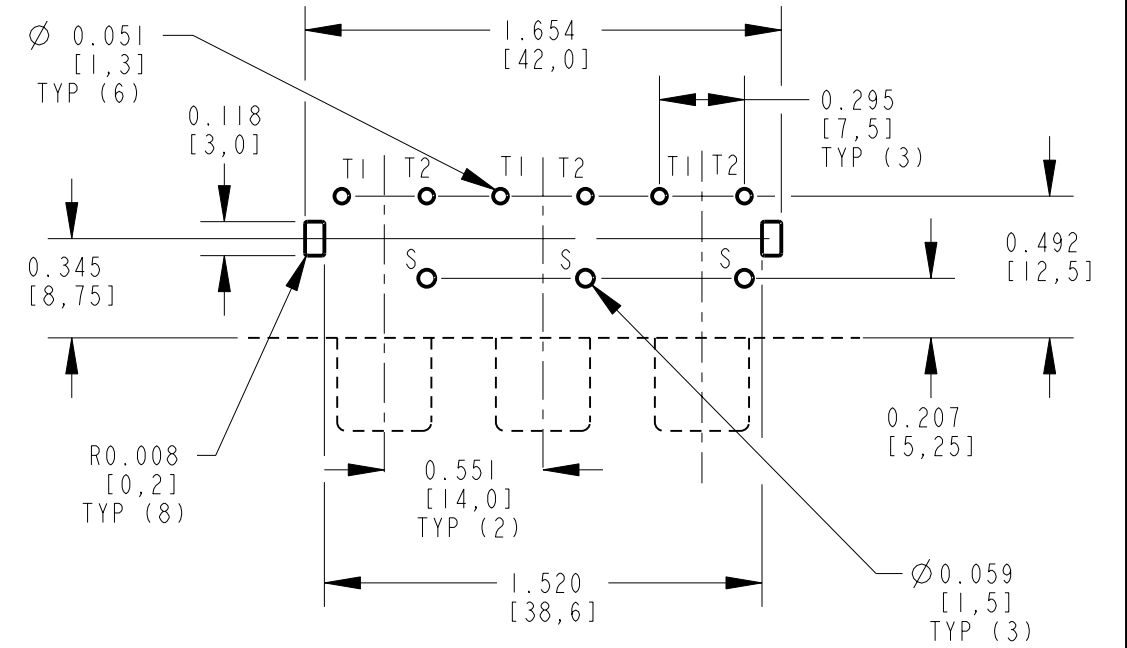


NOTES:

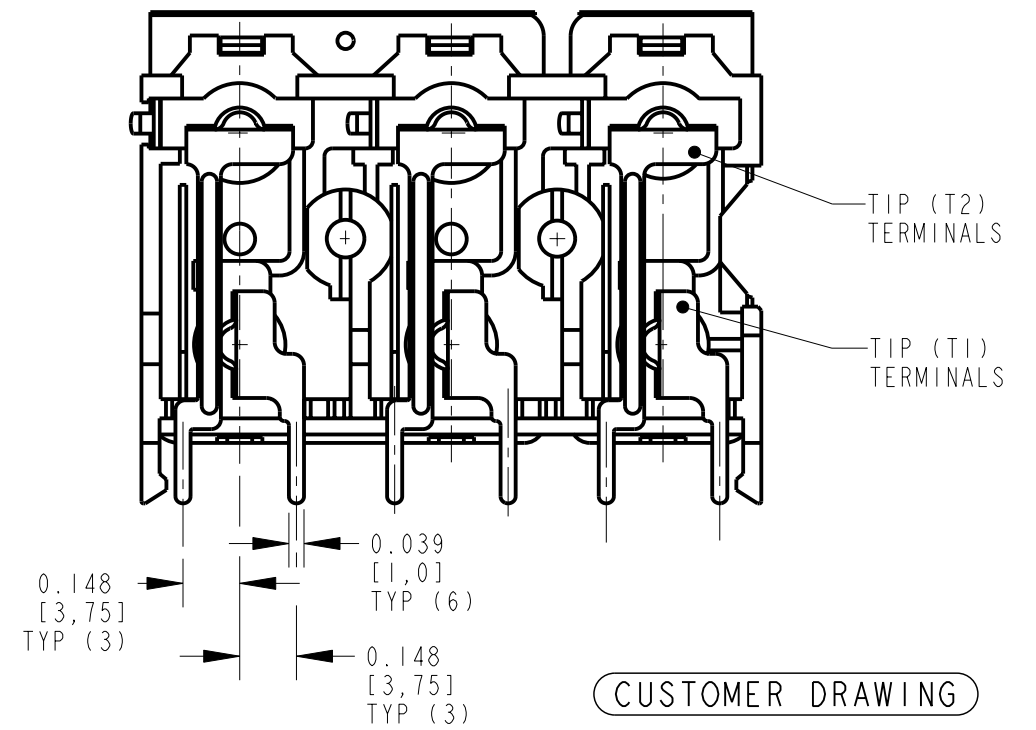
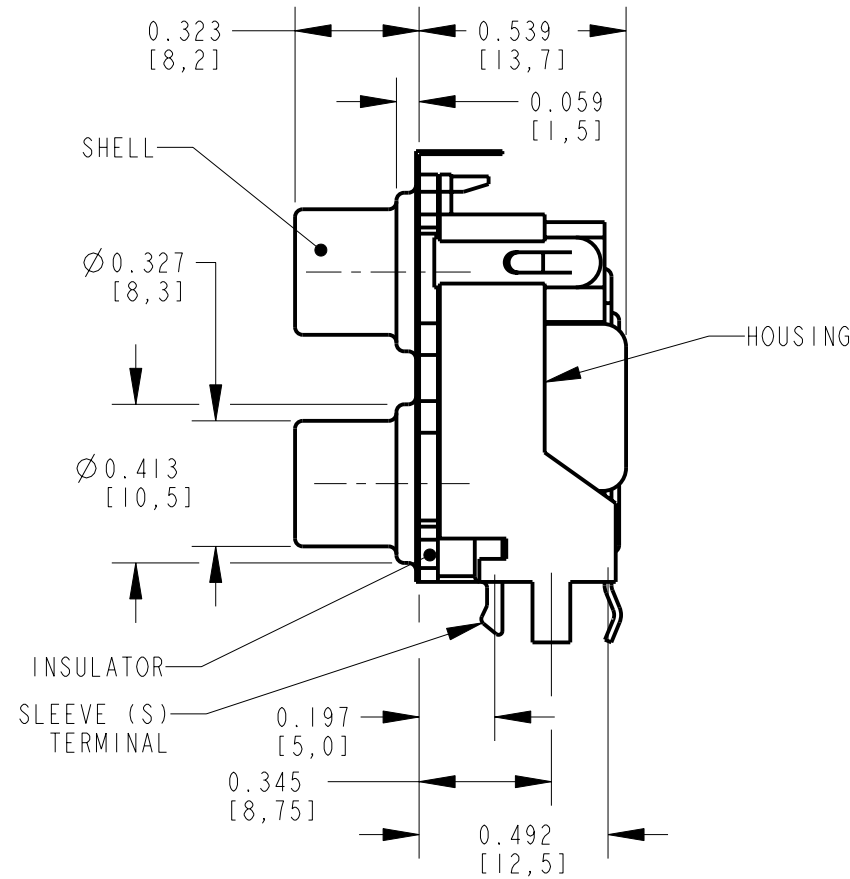
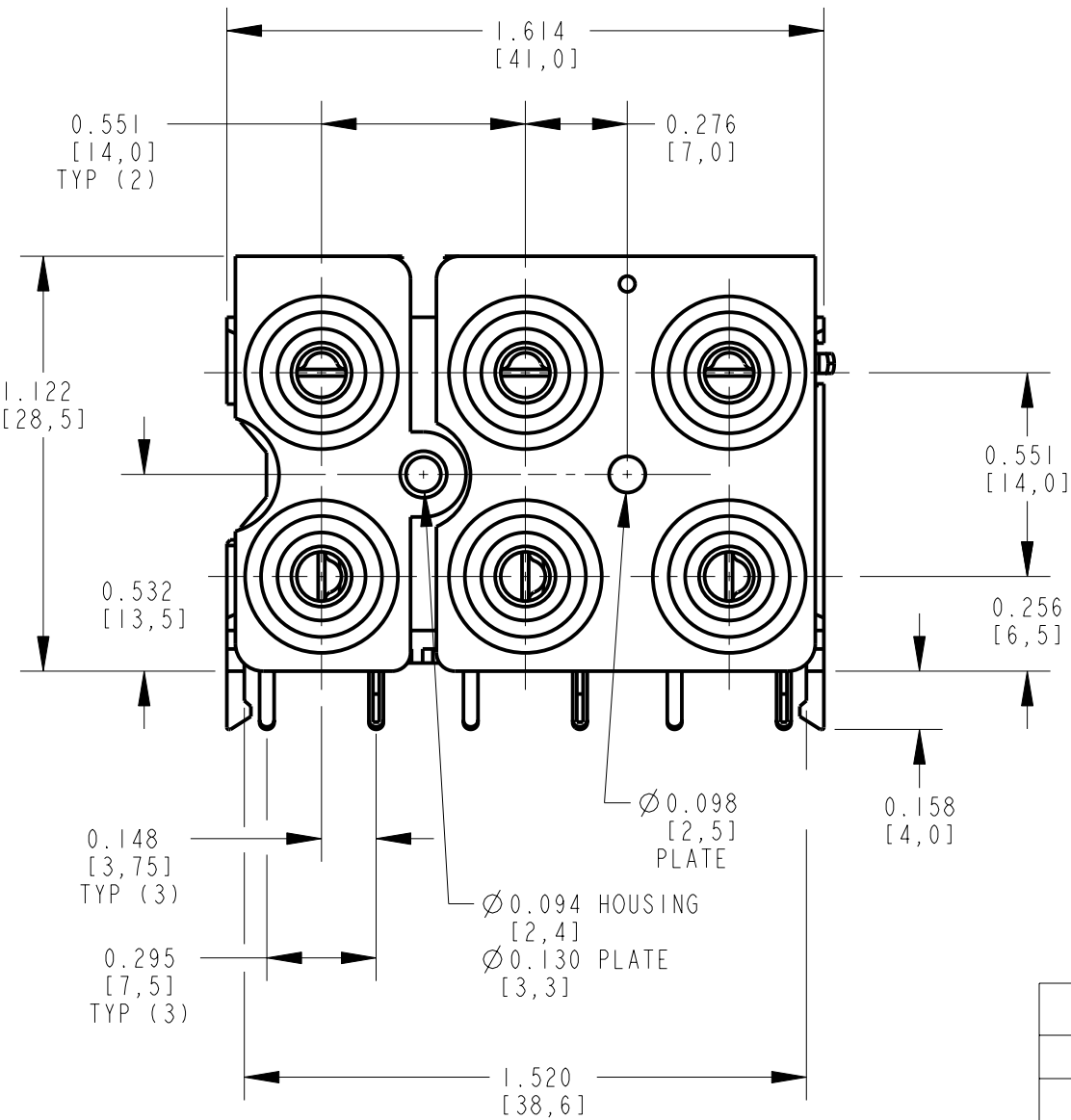
- ALL DIMENSIONS ARE REFERENCE.
- MATERIALS:
 HOUSING: ABS, UL-94HB
 COLOR INSERTS: ABS, UL-94HB
 INSULATORS: ABS, UL-94HB
 SHELL & SLEEVE TERMINAL: COPPER ALLOY,
 NICKEL OR GOLD PLATED
 TIP TERMINALS: COPPER ALLOY, TIN PLATED
 FRONT PLATES: COPPER ALLOY, NICKEL PLATED
- THIS PART IS RoHS COMPLIANT



SCHEMATIC
TYP (3) JACKS



P.C. BOARD LAYOUT
COMPONENT SIDE



CUSTOMER DRAWING

					★ STAR SYMBOL DENOTES CRITICAL DIMENSION	THIS DRAWING DESCRIBES A DESIGN CONSIDERED PROPRIETARY IN NATURE, DEVELOPED AND MANUFACTURED BY SWITCHCRAFT INC. AND IS RELEASED ON A CONFIDENTIAL BASIS FOR IDENTIFICATION PURPOSES ONLY.						
					UNLESS OTHERWISE SPECIFIED	SIZE	WIDTH	MULT	LBS/M	TEMPER		
					1. ALL DIMENSIONS IN INCHES - TWO PLACE DECIMALS ±0.01 - THREE PLACE DECIMALS ±0.005 - ANGLES ±1° - ALL DIA. CONCENTRIC WITHIN 0.005 T.I.R.	FINISH		MATERIAL				
					2. FEATURES ON THE SAME CENTERLINE MUST BE ALIGNED WITHIN ±0.002	SPEC No.		SPEC No.				
					3. REMOVE ALL BURRS	FIRST USED ON		SCALE		Switchcraft [®]		
REVISIONS					2:1		SHEET 1 OF 2					
B	25610	4-11-07	TJK	TJK	DO NOT SCALE DRAWING					NAME	PART No.	REV
A	25181	1-12-06	JL	TJK	PHONO JACK, RIGHT ANGLE, 6 POS. SCREW MOUNT, SHIELDED, RoHS					PJRAS3X2S_-X SERIES		B

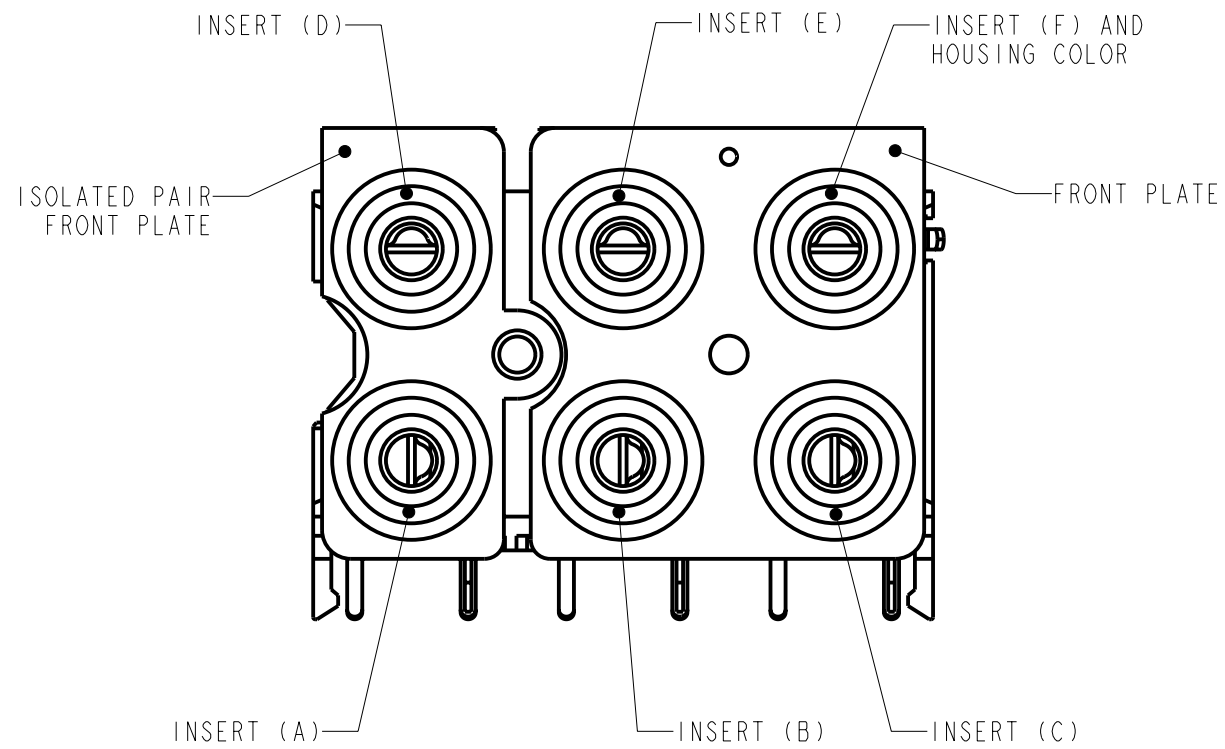


FIGURE 1

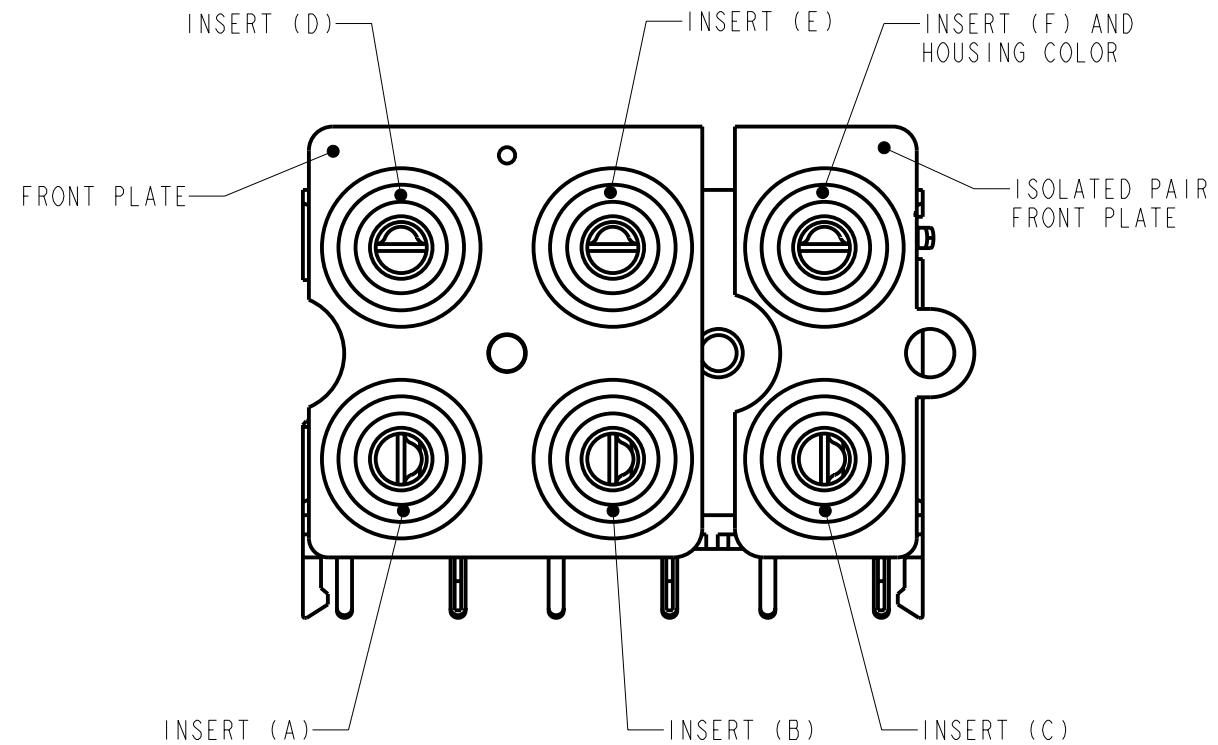


FIGURE 2

PART NUMBER	INSERT COLOR	INSERT COLOR	INSERT COLOR	ISOLATED PAIR FRONT PLATE LOCATIONS	SHELL AND SLEEVE TERMINAL FINISH
	D	E	F		
	A	B	C		
PJRAS3X2S01X	WHITE	WHITE	WHITE	FIGURE 1	NICKEL PLATED
	RED	RED	RED		
PJRAS3X2S01AUX	WHITE	WHITE	WHITE	FIGURE 1	GOLD PLATED
	RED	RED	RED		
PJRAS3X2S02X	RED	WHITE	YELLOW	FIGURE 1	NICKEL PLATED
	RED	WHITE	YELLOW		
PJRAS3X2S02AUX	RED	WHITE	YELLOW	FIGURE 1	GOLD PLATED
	RED	WHITE	YELLOW		
PJRAS3X2S03X	RED	WHITE	YELLOW	FIGURE 2	NICKEL PLATED
	RED	WHITE	YELLOW		
PJRAS3X2S04X	WHITE	WHITE	WHITE	FIGURE 1	NICKEL PLATED
	YELLOW	YELLOW	YELLOW		
B PJRAS3X2S05X	RED	GREEN	BLUE	FIGURE 1	NICKEL PLATED
	RED	GREEN	BLUE		

CUSTOMER DRAWING

SCALE 2:1	Switchcraft®	
DATE DRAWN 12-Jan-06		
DRAWN BY JL	PART No. PJRAS3X2S_-X SERIES	REV B